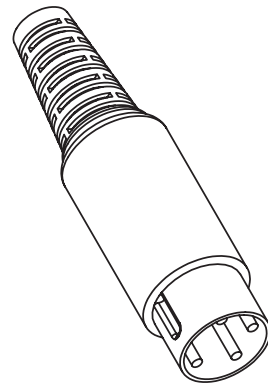
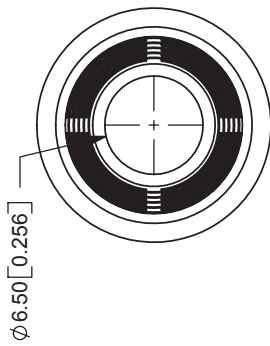
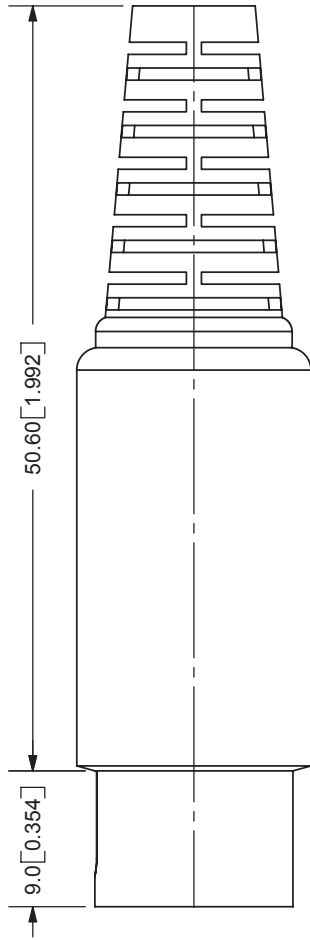
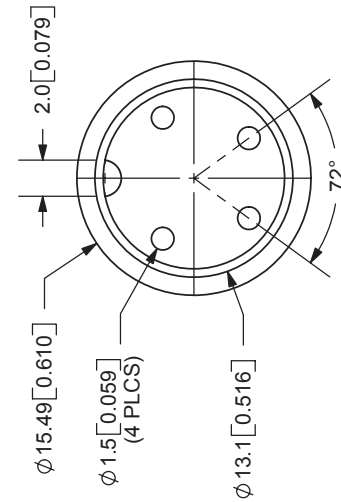


|      |             |          |
|------|-------------|----------|
| REV. | DESCRIPTION | DATE     |
| A    | NEW DRAWING | 4/6/2006 |



SCALE 1:1

TOLERANCE:  
X.X ±0.1mm  
X.XX ±0.05mm



NOTES:  
RECOMMENDED WIRE RANGE: 24AWG~28AWG  
LEAD TERMINATION: SOLDER CUPS

SPECIFICATIONS:  
RATING: 100V AC @ 1A  
CONTACT RESISTANCE: PINS-30m OHMS MAX; SHELL-50m OHMS MAX  
INSULATION RESISTANCE: 100M OHMS MIN; 500V DC  
VOLTAGE WITHSTAND: 250V AC R.M.S. FOR 1 MINUTE  
LIFE: 5,000 CYCLES  
OPERATING TEMP: -5° ~ +110°C



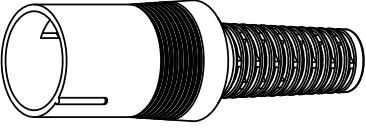
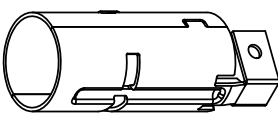
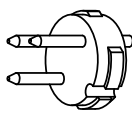
9615 SW Allen Blvd., Ste. 103  
Beaverton, OR 97005  
Phone: 503-643-4899  
800-275-4899  
Fax: 503-372-1266  
Website: www.cui.com

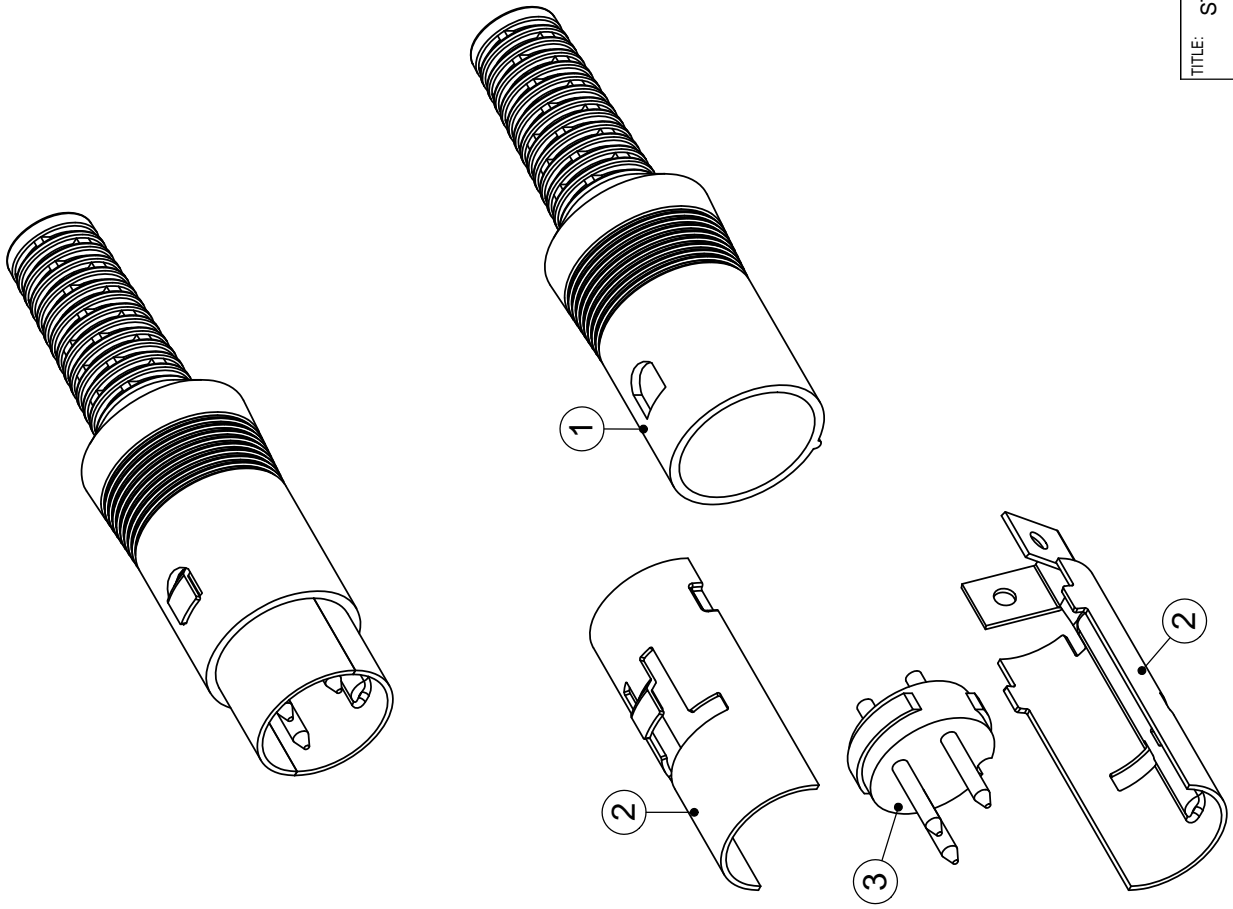
|                     |                    |
|---------------------|--------------------|
| TITLE: IN-LINE PLUG | REV: A             |
| PART NO: SD-40      | UNITS: MM [INCHES] |
| DRAWN BY: ZRJ       | APPROVED BY:       |
| MATERIAL            | PLATING            |
| PINS                | Nickel             |
| SHELL               | Nickel             |
| INSULATOR           | PBT                |
| BOOT                | PVC                |

PC FILE NAME: SD-40

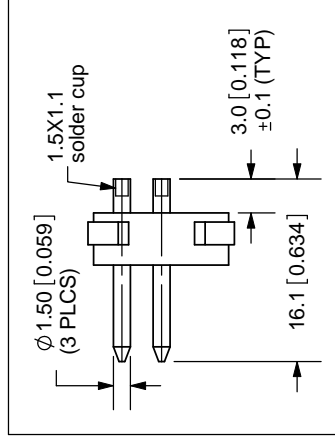
COPYRIGHT 2006 BY CUI INC.

|      |             |          |
|------|-------------|----------|
| REV. | DESCRIPTION | DATE     |
| A    | NEW DRAWING | 7/8/2009 |

|   |   |
|---|---|
| 1 |   |
| 2 |  |
| 3 |  |

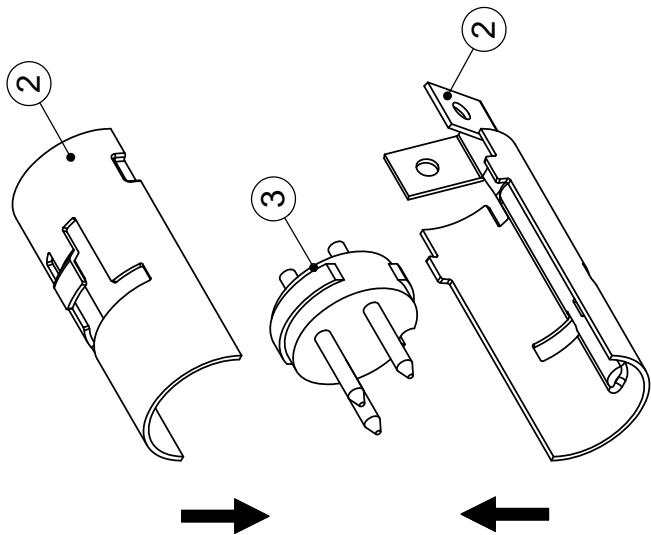


**PIN DETAILS**

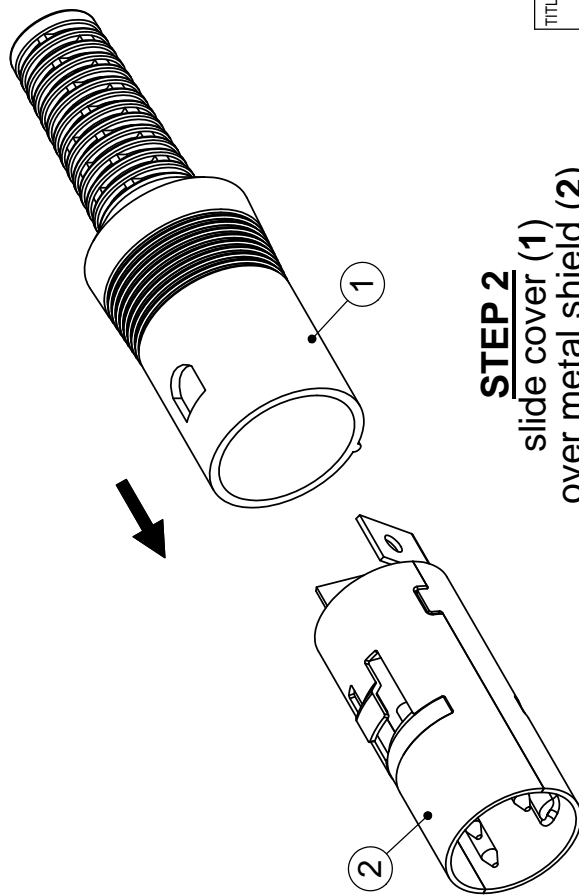


|           |                                    |              |             |
|-----------|------------------------------------|--------------|-------------|
| TITLE:    | STANDARD DIN IN-LINE PLUG ASSEMBLY | REV:         | A           |
| PART NO:  | SD-assy                            | UNITS:       | MM [INCHES] |
| DRAWN BY: | ZRJ                                | APPROVED BY: |             |
|           |                                    | SCALE:       | 3:2         |

PC FILE NAME: SD-assy



**STEP 1**  
 solder wires to  
 housing (3),  
 assemble metal  
 shield pieces (2)  
 onto housing (3)



**STEP 2**  
 slide cover (1)  
 over metal shield (2)

|           |                                    |              |             |
|-----------|------------------------------------|--------------|-------------|
| TITLE:    | STANDARD DIN IN-LINE PLUG ASSEMBLY | REV:         |             |
| PART NO:  | SD-assy                            | UNITS:       | MM [INCHES] |
| DRAWN BY: | ZRJ                                | APPROVED BY: |             |
|           |                                    | SCALE:       | 3:2         |