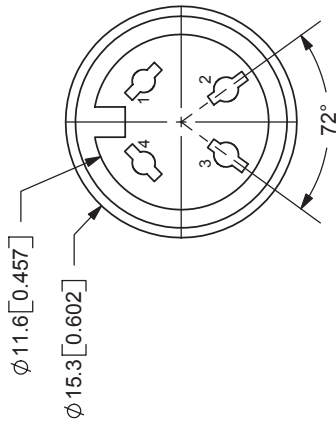
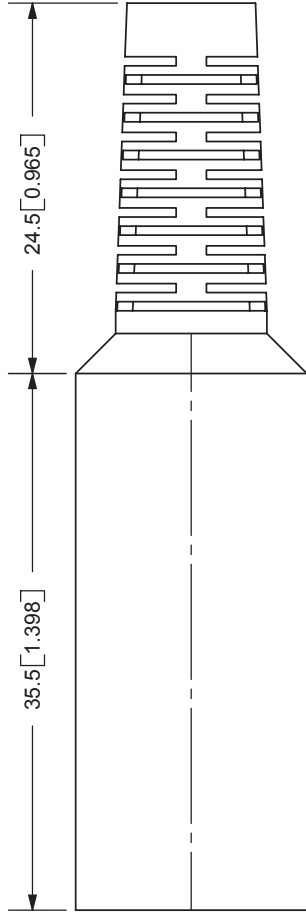
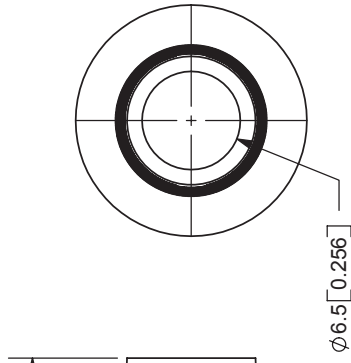


REV.	DESCRIPTION	DATE
A	NEW DRAWING	3/1/2006

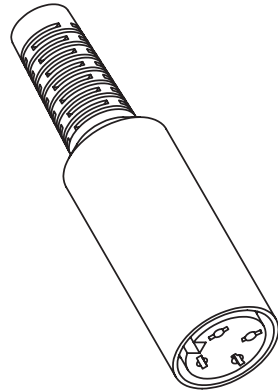


9615 SW Allen Blvd., Ste. 103  
 Beaverton, OR 97005  
 Phone: 503-643-4899  
 800-275-4899  
 Fax: 503-372-1266  
 Website: www.cui.com

TOLERANCE:  
 X.X ±0.1mm  
 X.XX ±0.05mm

NOTES:  
 RECOMMENDED WIRE RANGE: 24AWG~28AWG

SPECIFICATIONS:  
 RATING: 100V AC @ 2A  
 CONTACT RESISTANCE: PINS-10m OHMS MAX; SHELL-50m OHMS MAX  
 INSULATION RESISTANCE: 100M OHMS MIN: 500V DC  
 VOLTAGE WITHSTAND: 1000V AC R.M.S. FOR 1 MINUTE  
 LIFE: 5,000 CYCLES  
 OPERATING TEMP: -5° ~ +110°C



SCALE 1:1

TITLE:	IN-LINE RECEPTACLE	REV:	A
PART NO:	SD-40J	UNITS:	MM [INCHES]
DRAWN BY:	ZRJ	APPROVED BY:	
		SCALE:	2:1

	MATERIAL	PLATING
PINS	Brass	Silver
SHELL	Steel	Nickel
INSULATOR	PC	
BOOT	PVC	

PC FILE NAME: SD-40J

COPYRIGHT 2006 BY CUI INC.