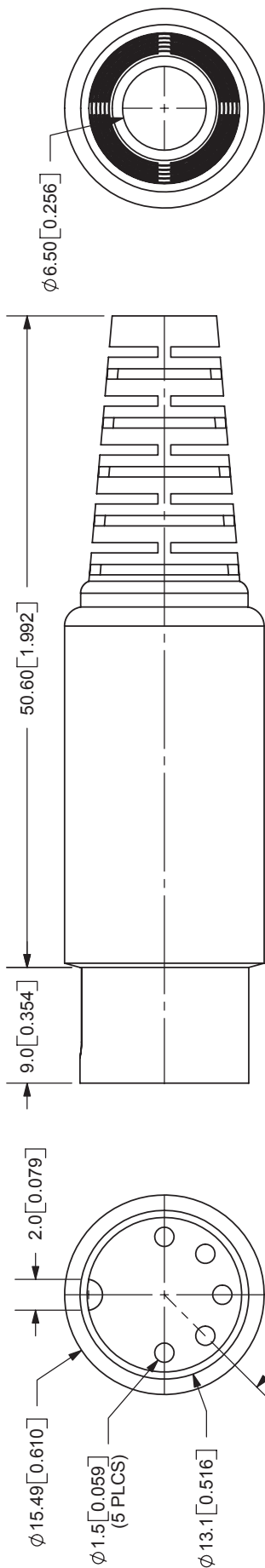


REV.	DESCRIPTION	DATE
A	NEW DRAWING	4/6/2006

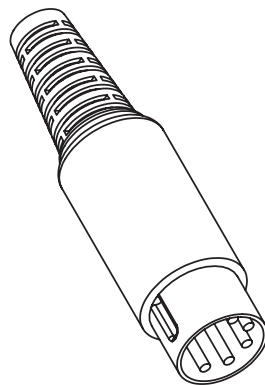


9615 SW Allen Blvd., Ste. 103
 Beaverton, OR 97005
 Phone: 503-643-4899
 800-275-4899
 Fax: 503-372-1266
 Website: www.cui.com

TOLERANCE:
 X.X ±0.1mm
 X.XX ±0.05mm

NOTES:
 RECOMMENDED WIRE RANGE: 24AWG~28AWG
 LEAD TERMINATION: SOLDER CUPS

SPECIFICATIONS:
 RATING: 100V AC @ 1A
 CONTACT RESISTANCE: PINS-30m OHMS MAX; SHELL-50m OHMS MAX
 INSULATION RESISTANCE: 100M OHMS MIN; 500V DC
 VOLTAGE WITHSTAND: 250V AC R.M.S. FOR 1 MINUTE
 LIFE: 5,000 CYCLES
 OPERATING TEMP: -5° ~ +110°C



SCALE 1:1

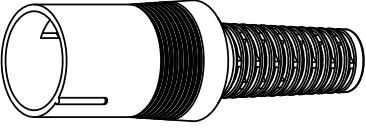
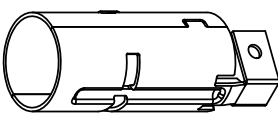
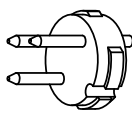
TITLE:	IN-LINE PLUG	REV:	A
PART NO:	SD-50	UNITS:	MM [INCHES]
DRAWN BY:	ZRJ	APPROVED BY:	
		SCALE:	2:1

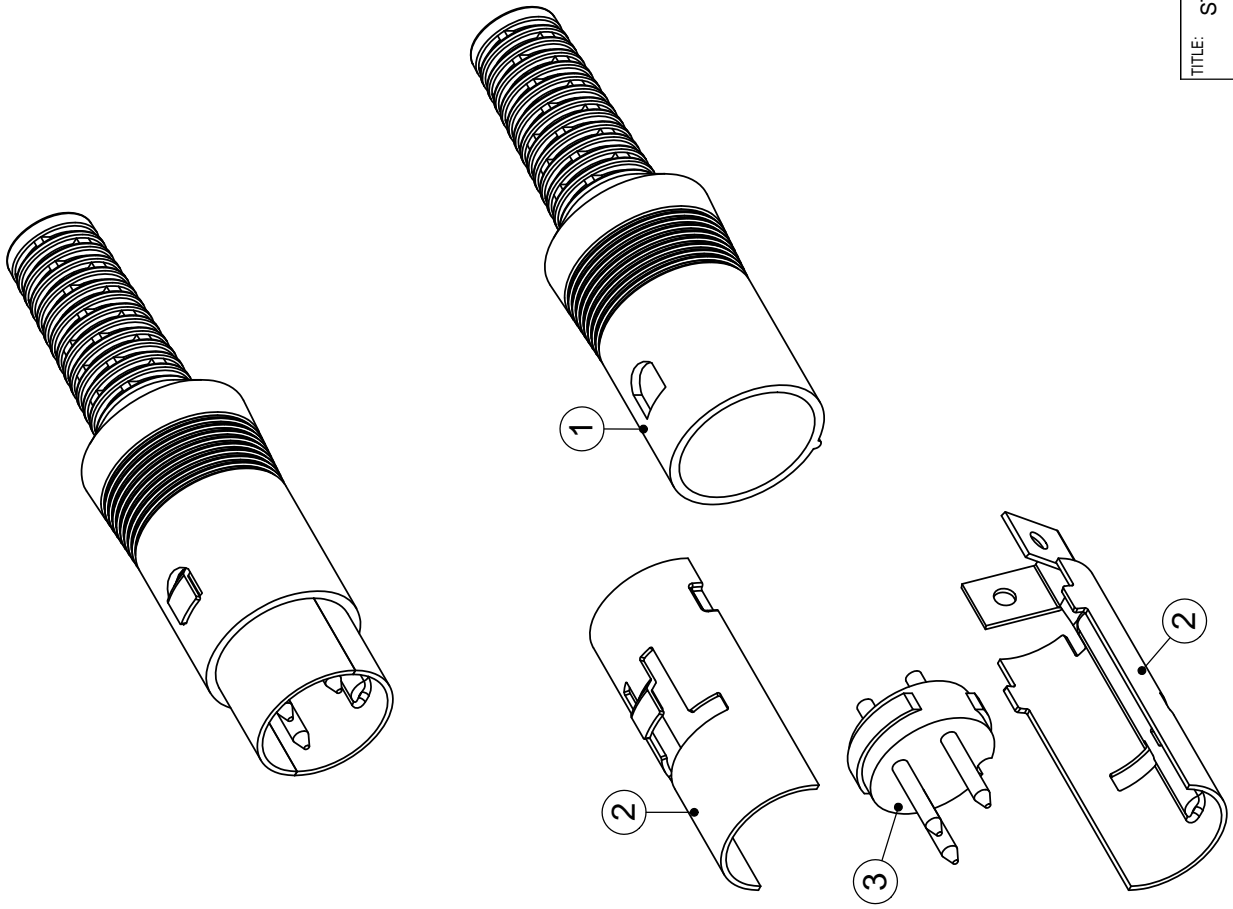
	MATERIAL	PLATING
PINS	Brass	Nickel
SHELL	Steel	Nickel
INSULATOR	PBT	
BOOT	PVC	

PC FILE NAME: SD-50

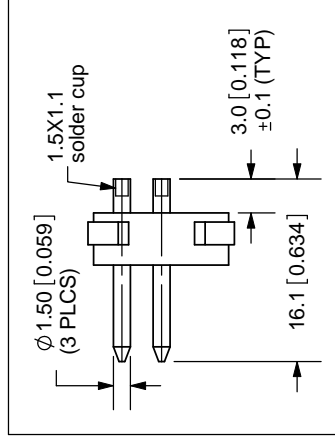
COPYRIGHT 2006 BY CUI INC.

REV.	DESCRIPTION	DATE
A	NEW DRAWING	7/8/2009

1	
2	
3	

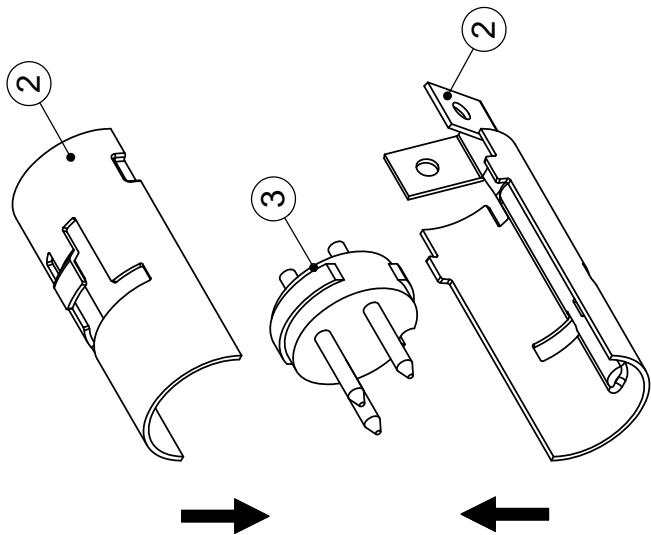


PIN DETAILS

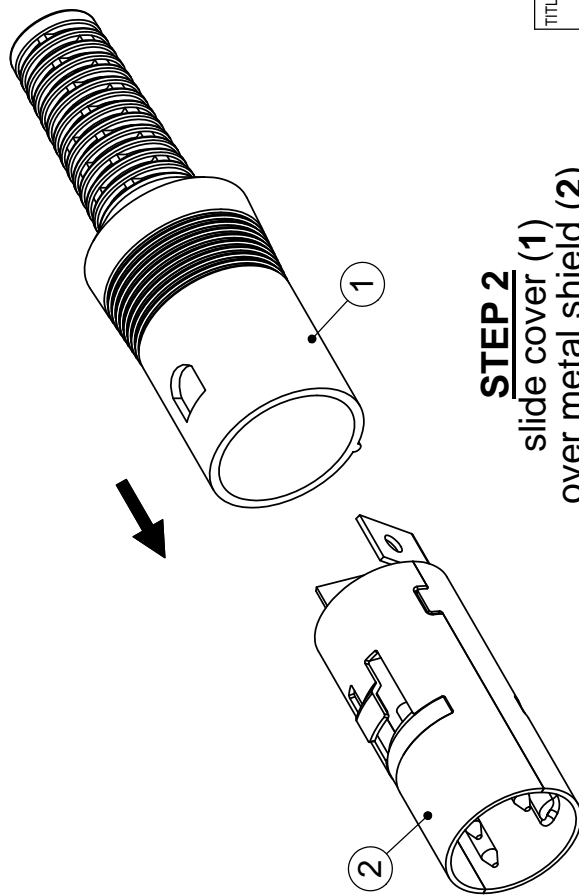


TITLE:	STANDARD DIN IN-LINE PLUG ASSEMBLY	REV:	A
PART NO:	SD-assy	UNITS:	MM [INCHES]
DRAWN BY:	ZRJ	APPROVED BY:	
		SCALE:	3:2

PC FILE NAME: SD-assy



STEP 1
 solder wires to
 housing (3),
 assemble metal
 shield pieces (2)
 onto housing (3)



STEP 2
 slide cover (1)
 over metal shield (2)

TITLE:	STANDARD DIN IN-LINE PLUG ASSEMBLY	REV:
PART NO:	SD-assy	UNITS:
DRAWN BY:	ZRJ	APPROVED BY:
		MM [INCHES]
		SCALE:
		3:2