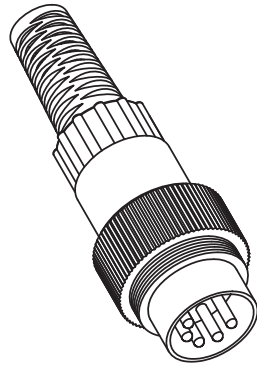
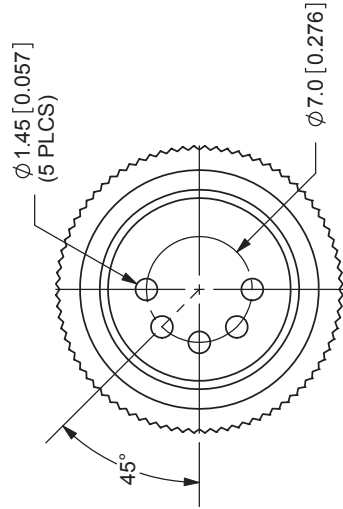
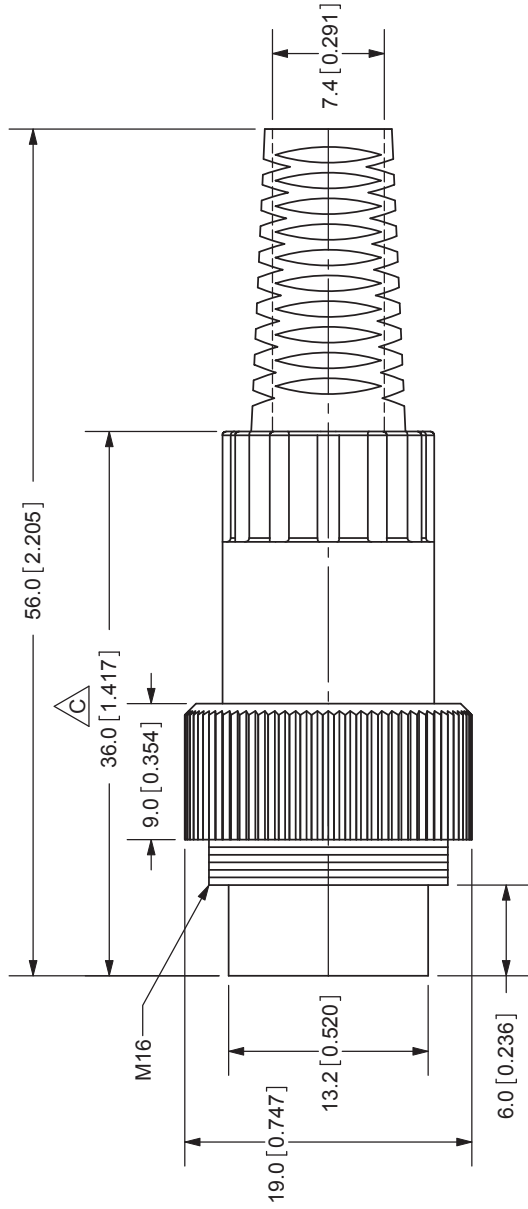


| REV. | DESCRIPTION                          | DATE      |
|------|--------------------------------------|-----------|
| A    | NEW DRAWING                          | 4/6/2006  |
| B    | Model update                         | 10/6/2006 |
| C    | dimension change from 34.0 to 36.0mm | 8/4/2008  |



SCALE 1:1



TOLERANCE:  
 X.X ±0.2mm  
 X.XX ±0.1mm  
 X.XXX ±0.05mm



**CUI INC**

20050 SW 112th Ave.  
 Tualatin, OR 97062  
 Phone: 503-612-2300  
 800-275-4899  
 Fax: 503-612-2383  
 Website: www.cui.com

|                                      |                    |
|--------------------------------------|--------------------|
| TITLE: DIN PLUG, LOCKING, IN-LINE 5P | REV: C             |
| PART NO: SD-50LP                     | UNITS: MM [INCHES] |
| DRAWN BY: ZRJ                        | APPROVED BY:       |
|                                      | SCALE: 2:1         |

SPECIFICATIONS:  
 RATING: 100V AC @ 2A  
 CONTACT RESISTANCE: 20m OHMS MAX  
 INSULATION RESISTANCE: 100M OHMS MIN: 500V DC  
 VOLTAGE WITHSTAND: 1000V AC R.M.S. FOR 1 MINUTE  
 OPERATING TEMP: -40° ~ +85°C

PC FILE NAME: SD-50LP

COPYRIGHT 2008 BY CUI INC.