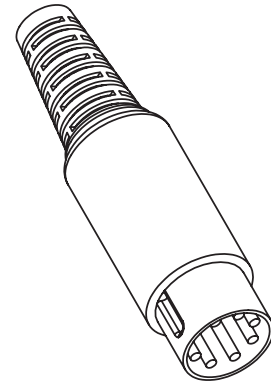
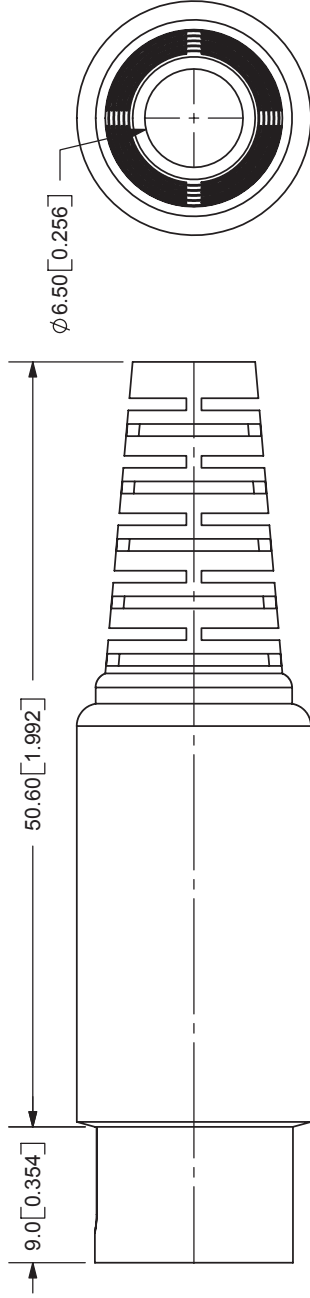
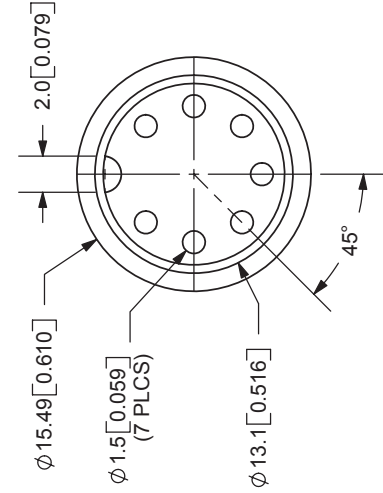


REV.	DESCRIPTION	DATE
A	NEW DRAWING	4/6/2006



SCALE 1:1



9615 SW Allen Blvd., Ste. 103  
Beaverton, OR 97005  
Phone: 503-643-4899  
800-275-4899  
Fax: 503-372-1266  
Website: www.cui.com

TOLERANCE:  
X.X ±0.1mm  
X.XX ±0.05mm

NOTES:  
RECOMMENDED WIRE RANGE: 24AWG~28AWG  
LEAD TERMINATION: SOLDER CUPS

SPECIFICATIONS:  
RATING: 100V AC @ 1A  
CONTACT RESISTANCE: PINS-30m OHMS MAX; SHELL-50m OHMS MAX  
INSULATION RESISTANCE: 100M OHMS MIN; 500V DC  
VOLTAGE WITHSTAND: 250V AC R.M.S. FOR 1 MINUTE  
LIFE: 5,000 CYCLES  
OPERATING TEMP: -5° ~ +110°C

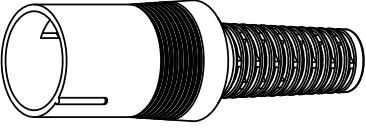
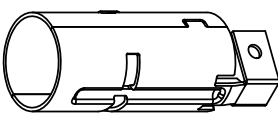
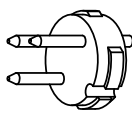
TITLE:	IN-LINE PLUG	REV:	A
PART NO:	SD-70	UNITS:	MM [INCHES]
DRAWN BY:	ZRJ	APPROVED BY:	
		SCALE:	2:1

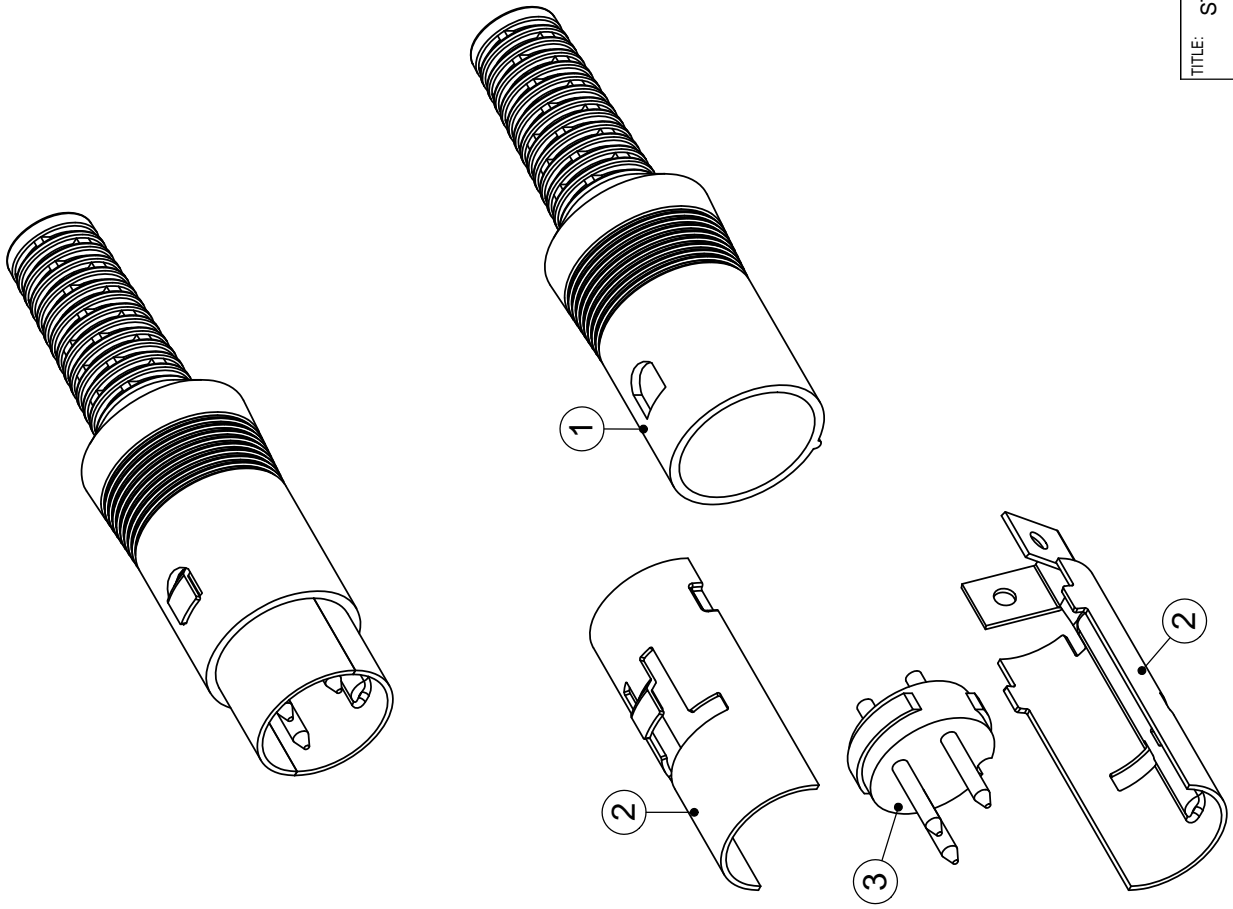
	MATERIAL	PLATING
PINS	Brass	Nickel
SHELL	Steel	Nickel
INSULATOR	PBT	
BOOT	PVC	

PC FILE NAME: SD-70

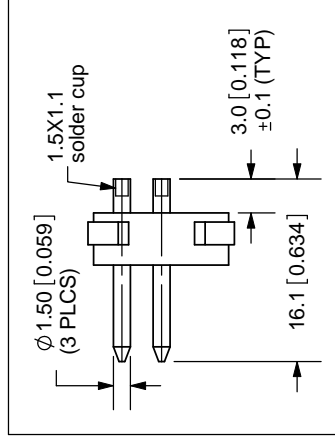
COPYRIGHT 2006 BY CUI INC.

REV.	DESCRIPTION	DATE
A	NEW DRAWING	7/8/2009

1	
2	
3	

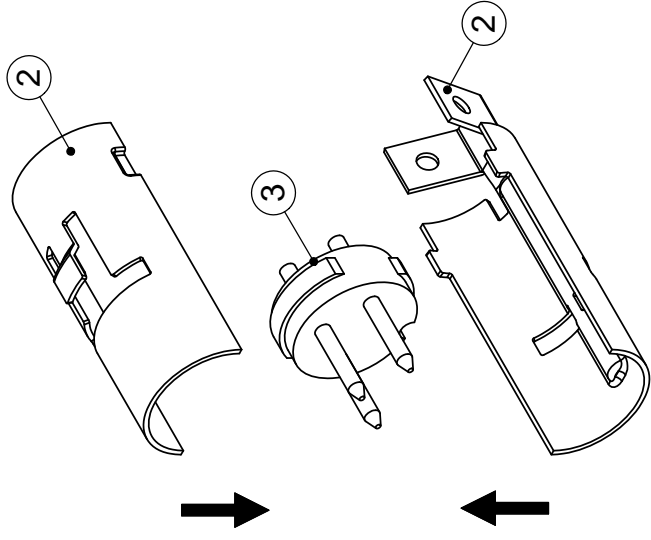


**PIN DETAILS**

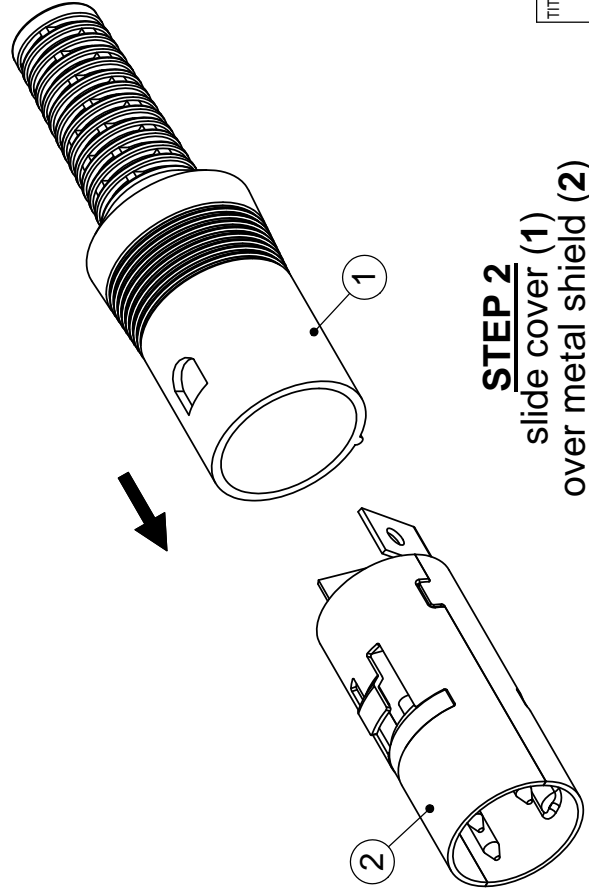


TITLE:	STANDARD DIN IN-LINE PLUG ASSEMBLY	REV:	A
PART NO:	SD-assy	UNITS:	MM [INCHES]
DRAWN BY:	ZRJ	APPROVED BY:	
		SCALE:	3:2

PC FILE NAME: SD-assy



**STEP 1**  
 solder wires to  
 housing (3),  
 assemble metal  
 shield pieces (2)  
 onto housing (3)



**STEP 2**  
 slide cover (1)  
 over metal shield (2)

TITLE:	STANDARD DIN IN-LINE PLUG ASSEMBLY	REV:	
PART NO:	SD-assy	UNITS:	MM [INCHES]
DRAWN BY:	ZRJ	APPROVED BY:	
		SCALE:	3:2