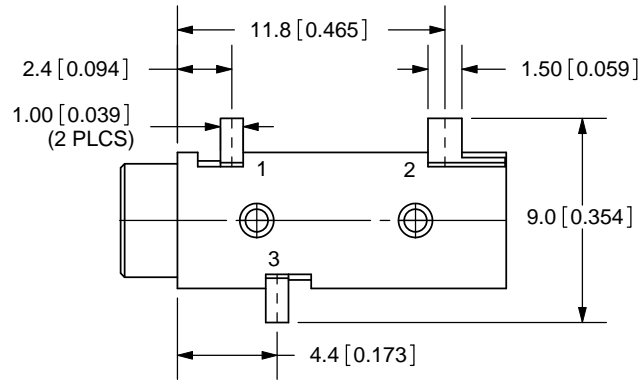
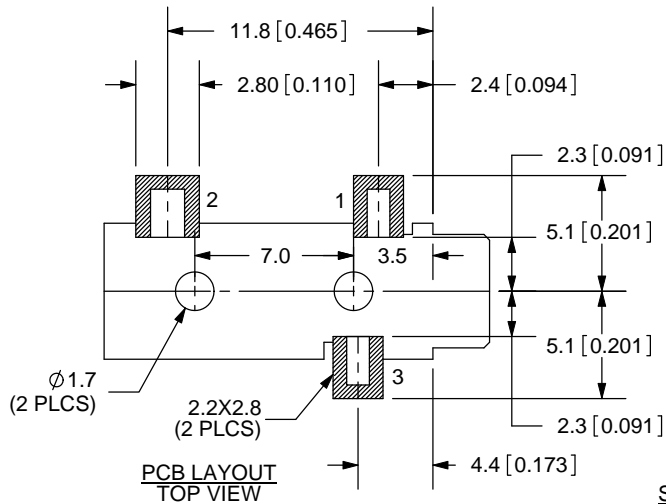
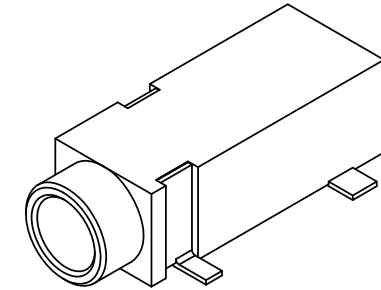
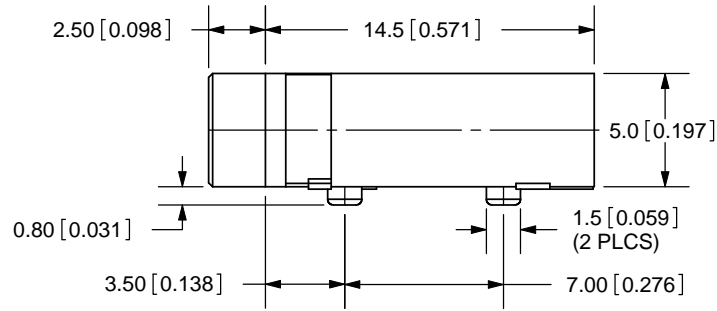
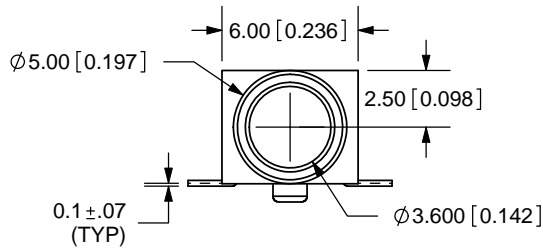


REV.	DESCRIPTION	DATE
A	NEW DRAWING	12/2/2005



TOLERANCE:
 X.X ±0.2mm
 X.XX ±0.1mm
 X.XXX ±0.05mm



20050 SW 112th Ave.
 Tualatin, OR 97062
 Phone: 503-612-2300
 800-275-4899
 Fax: 503-612-2383
 Website: www.cui.com

SPECIFICATIONS:
 CONTACT RESISTANCE: 30m OHMS MAX
 INSULATION RESISTANCE: 50M OHMS MIN: 500V DC
 VOLTAGE WITHSTAND: 500V AC R.M.S. FOR 1 MINUTE
 LIFE: 5,000 CYCLES
 OPERATING TEMP: -25° ~ +85°C

MODEL NO.	SJ-3523-SMT
SCHMATIC	

	MATERIAL	PLATING	TITLE: 3.5mm SURFACE MOUNT AUDIO JACK-STEREO	REV: A
TERMINAL 1	Copper Alloy	Silver	PART NO. SJ-3523-SMT	UNITS: MM [INCHES]
TERMINAL 2	Copper Alloy	Silver		
TERMINAL 3	Copper Alloy	Silver		
HOUSING	PA6T		DRAWN BY: ZRJ	APPROVED BY:
				SCALE: 3:1

PC FILE NAME:
SJ-3523-SMT

COPYRIGHT 2009 BY CUI INC.