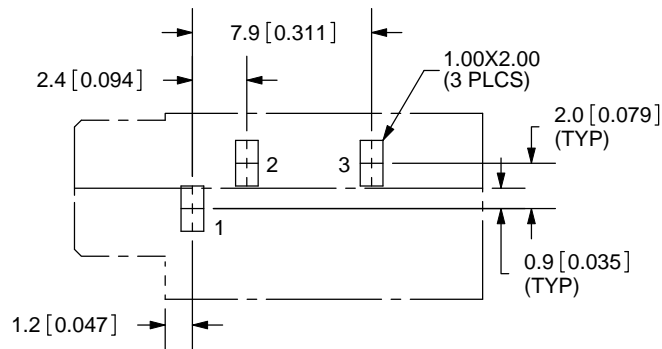
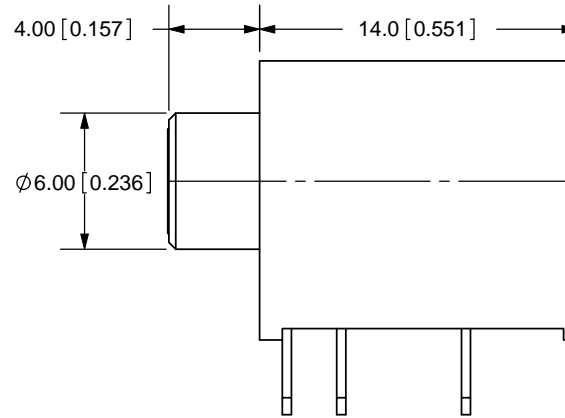
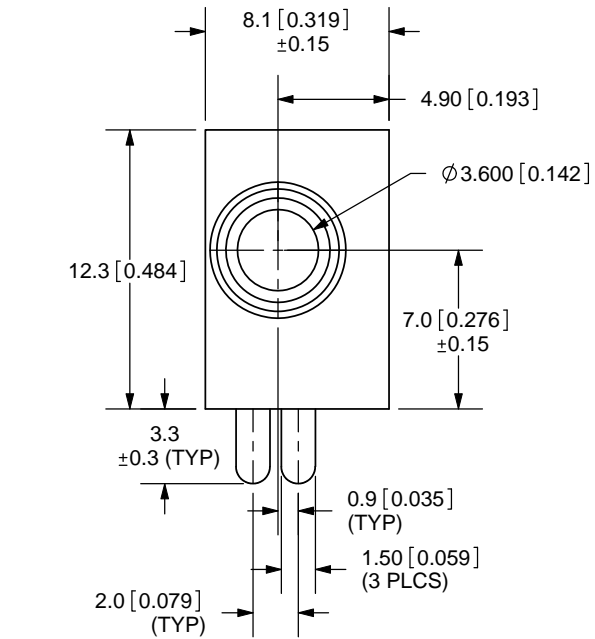
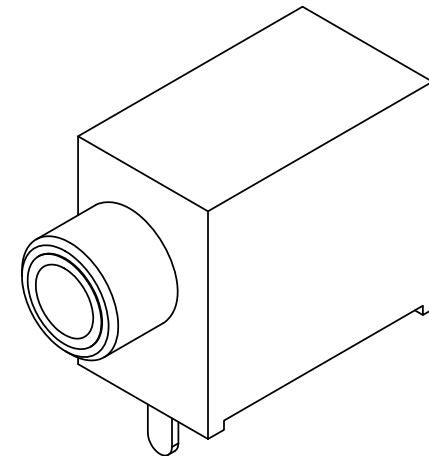
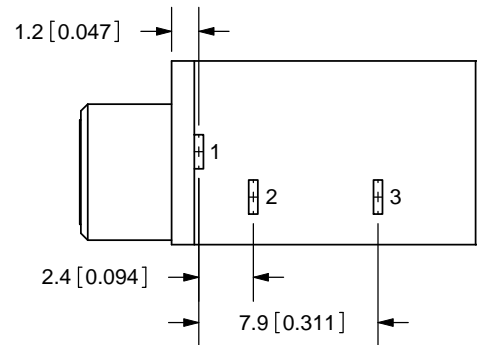


REV.	DESCRIPTION	DATE
A	NEW DRAWING	6/4/2007

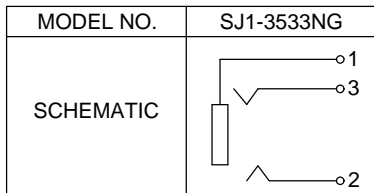


PCB LAYOUT
TOP VIEW



TOLERANCE:
±0.3mm UNLESS OTHERWISE
SPECIFIED

SPECIFICATIONS:
 CONTACT RESISTANCE: 50m OHMS MAX
 INSULATION RESISTANCE: 100M OHMS MIN: 500V DC
 VOLTAGE WITHSTAND: 500V AC R.M.S. FOR 1 MINUTE
 LIFE: 5,000 CYCLES
 OPERATING TEMP: -25° ~ +85°C



	MATERIAL	PLATING
TERMINAL 1	Brass	Tin
TERMINAL 2	Brass	Tin
TERMINAL 3	Brass	Tin
BUSHING	Brass	Nickel
SPRING	Stainless Steel	
HOUSING	PBT	
COVER	PBT	



20050 SW 112th Ave.
 Tualatin, OR 97062
 Phone: 503-612-2300
 800-275-4899
 Fax: 503-612-2383
 Website: www.cui.com

TITLE:	3.5mm RIGHT ANGLE STEREO JACK	REV:	A
PART NO.	SJ1-3533NG	UNITS:	MM [INCHES]
DRAWN BY:	ZRJ	APPROVED BY:	
		SCALE:	3:1

PC FILE NAME:
SJ1-3533NG

COPYRIGHT 2009 BY CUI INC.