



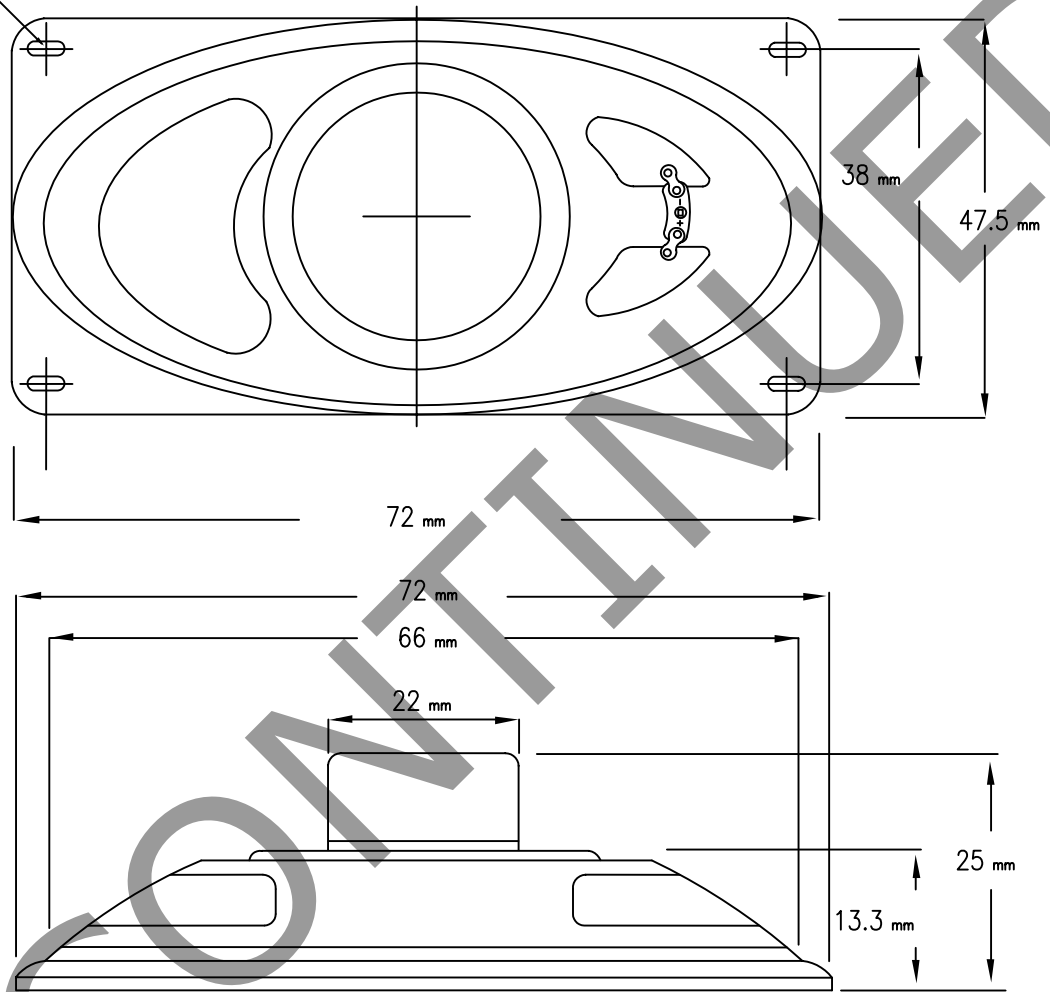
9615 SW Allen, Suite 103
 Beaverton, OR 97005
 Phone: (503) 643-4899
 800-275-4899
 Fax: (503) 372-1266
 Website: www.cui.com

Specifications

1	Part No.	GA0729			
2	Nominal Size	48 x 72	mm.	inch	
3	Impedance	8Ω ± 15%	at	800 Hz.	1 V.
4	Resonance	400 Hz.± 80 Hz.	FO Hz.		1 V.
5	S.P. Level	90 dB/w ± 3 dB	1 w.	50 cm.	average at
6	Response	fo Hz.~ 7K Hz.	MAX 10dB	1K, 1.4K, 1.7K, 2K Hz.	
7	Crossover Freq.	Hz.	Hz.	dB/OCT	Net work
8	Input Power	Nominal Input	1 w.	Handling Capacity	2 w.
9	Operation	Must be normal at program source			1 w.
10	Buzz, Rattle, etc.	Must be normal at sine wave			2.83 v.
11	Flux Density	Gauss ± 10%			
12	Total Flux	Max well min			
13	Magnet	Size	13 x 10	mm	gr oz
14	Total Weight				
15	Load Test	After test meet item 9 and 10	White noise	1 W.	48 Hours
16	Distortion	% MAX		Hz	W.
17	Heat Test	After test meet item 9 and 10	60±2 ±°C	20-50 %R.H.	48 Hours
18	Humidity Test	After test meet item 9 and 10	40±2 ±°C	90-95 %R.H.	48 Hours

PART NO.	GA0876	UNITS:	mm
DRAWN BY:		PAGE NO:	1 of 2

4 mm x 5 mm x 4



DISC ONLY LIMITED



9615 SW Allen, Suite 103
Beaverton, OR 97005
Phone: (503) 643-4899
800-275-4899
Fax: (503) 372-1266
Website: www.cui.com

TITLE:

PART NO.

GA0729

UNITS:

mm

DRAWN BY:

Page No.

2 of 2