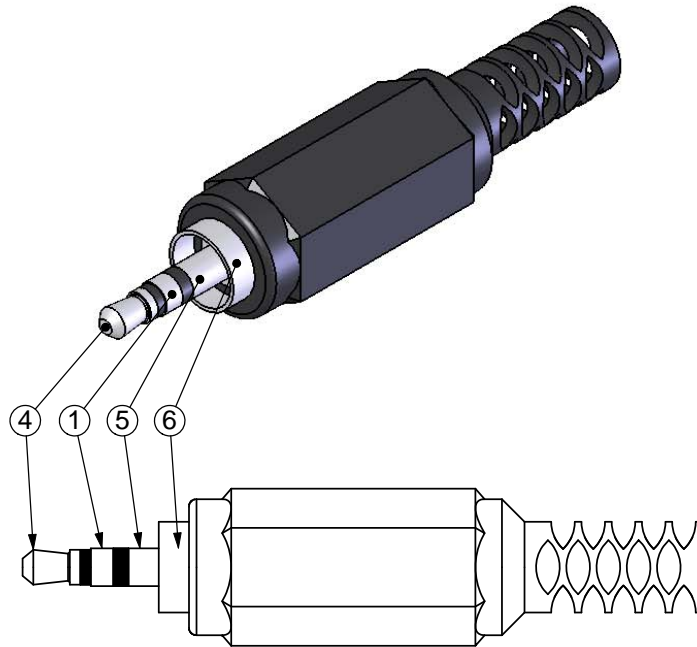
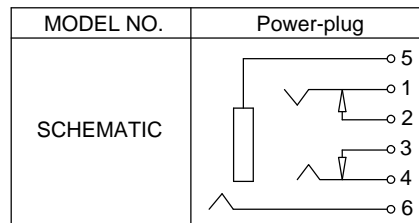


SCHEMATIC/WIRING APPLICATION NOTES

4-CONDUCTOR PLUG WITH OUTER RING



TYPICAL 4-CONDUCTOR JACK WITH OUTER RING SCHEMATIC*



PINS 1, 4, 5, 6 CORRESPOND TO PLUG CONTACTS ABOVE.
PINS 2 & 3 (IF APPLICABLE) ARE NORMALLY CLOSED
SWITCHES CONNECTED TO THE CONTACTS SHOWN.
THE SWITCHES OPEN WHEN A PLUG IS INSERTED.

*PLEASE NOTE PIN NUMBERING MAY VARY FOR INDIVIDUAL CUI JACKS