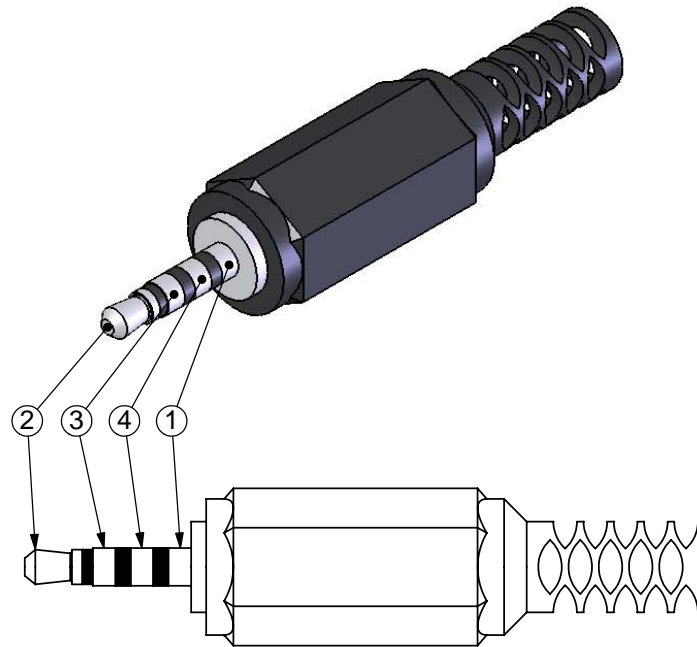
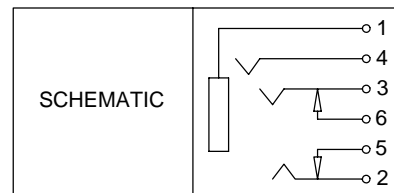


# SCHEMATIC/WIRING APPLICATION NOTES

## 4-CONDUCTOR PLUG



## TYPICAL 4-CONDUCTOR JACK SCHEMATIC\*



PINS 1, 2, 3, 4 CORRESPOND TO PLUG CONTACTS ABOVE.  
PINS 5 & 6 (IF APPLICABLE) ARE NORMALLY CLOSED  
SWITCHES CONNECTED TO THE CONTACTS SHOWN.  
THE SWITCHES OPEN WHEN A PLUG IS INSERTED.

\*PLEASE NOTE PIN NUMBERING MAY VARY FOR INDIVIDUAL CUI JACKS