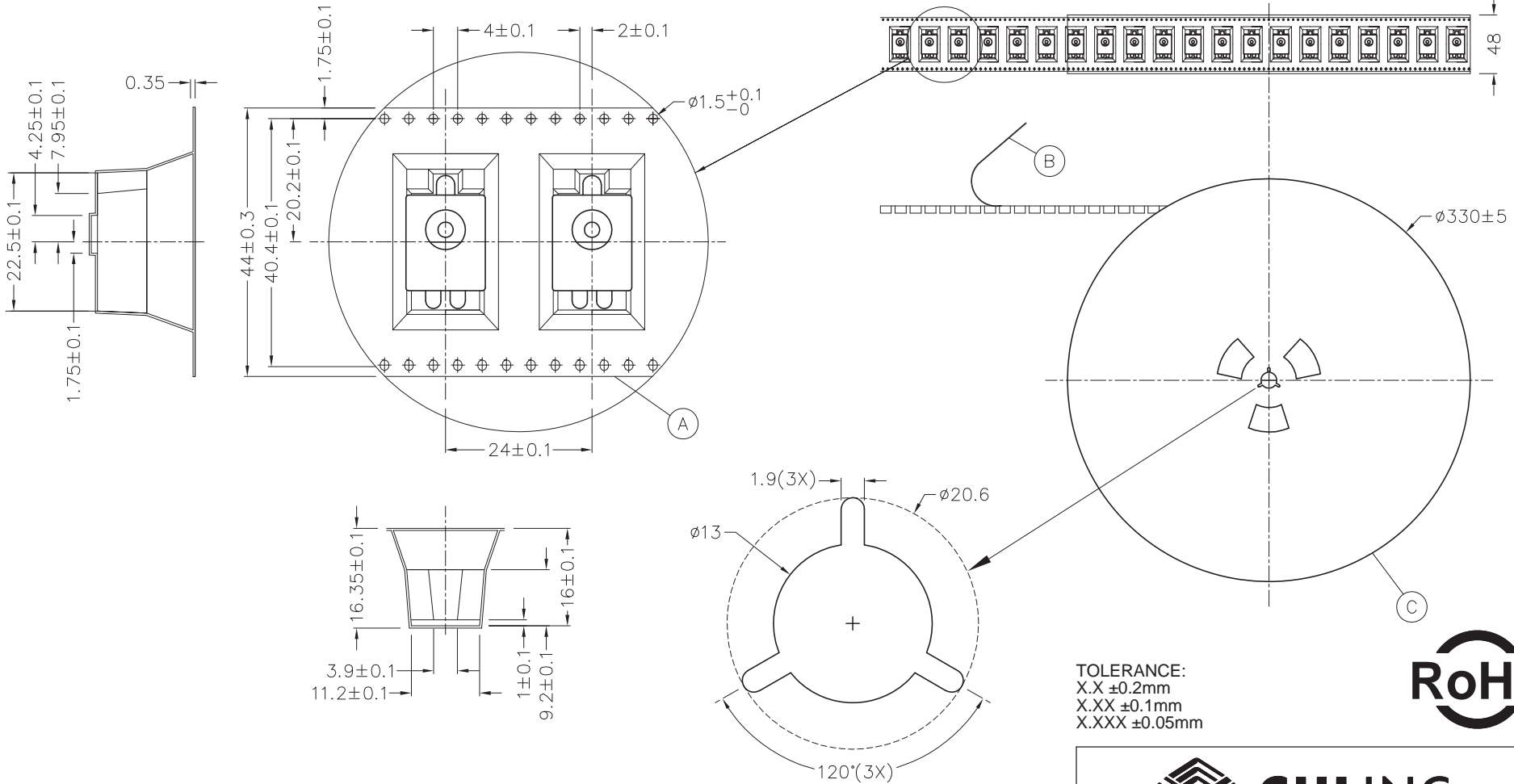


| REV. | DESCRIPTION | DATE       |
|------|-------------|------------|
| A    | NEW DRAWING | 11/20/2006 |



TOLERANCE:  
 X.X ±0.2mm  
 X.XX ±0.1mm  
 X.XXX ±0.05mm



20050 SW 112th Ave.  
 Tualatin, OR 97062  
 Phone: 503-612-2300  
 800-275-4899  
 Fax: 503-612-2383  
 Website: www.cui.com

**NOTE:**  
**150 JACKS PER REEL**

| SUPPORTED PARTS |
|-----------------|
| PJ-015A-SMT     |
| PJ-015B-SMT     |

PC FILE NAME:  
 TR-05

COPYRIGHT 2008 BY CUI INC.

|               | MATERIAL                    |
|---------------|-----------------------------|
| CARRYING TAPE | POLYPROPYLENE               |
| COVER TAPE    | POLYPROPYLENE TEREPHTHALATE |
| REEL          | PLASTIC                     |

|                      |                    |            |
|----------------------|--------------------|------------|
| TITLE: TAPE AND REEL |                    | REV: A     |
| PART NO. TR-05       | UNITS: MM [INCHES] |            |
| DRAWN BY: ZRJ        | APPROVED BY:       | SCALE: 2:1 |