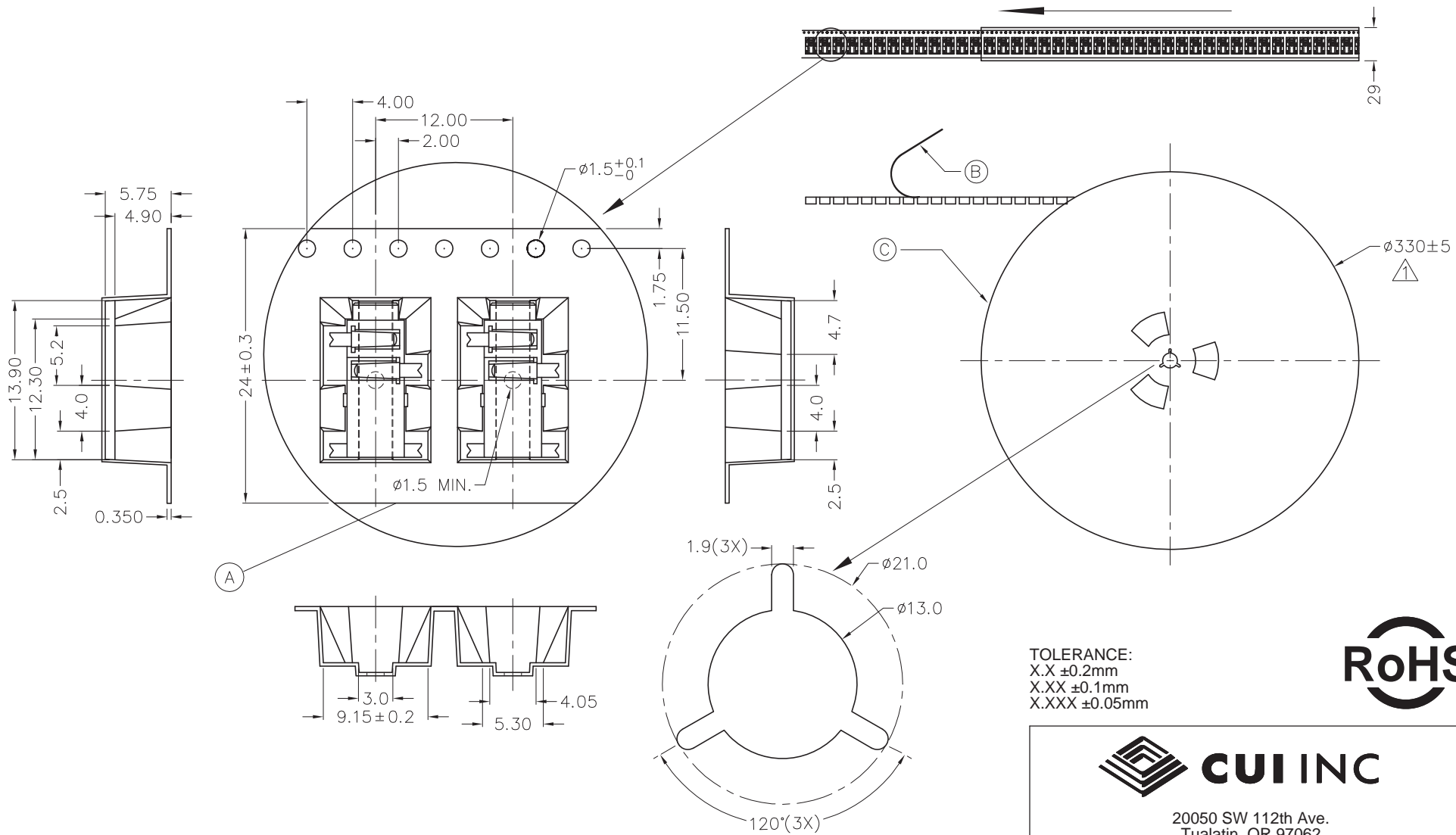


| REV. | DESCRIPTION | DATE       |
|------|-------------|------------|
| A    | NEW DRAWING | 11/20/2006 |



TOLERANCE:  
X.X ± 0.2mm  
X.XX ± 0.1mm  
X.XXX ± 0.05mm



| SUPPORTED PARTS |
|-----------------|
| MJ-2523-SMT     |
| SJ-2523-SMT     |
| SJ-2524-SMT     |

**NOTE:**  
**1000 JACKS PER REEL**

|               | MATERIAL                    |
|---------------|-----------------------------|
| CARRYING TAPE | POLYPROPYLENE               |
| COVER TAPE    | POLYPROPYLENE TEREPHTHALATE |
| REEL          | PLASTIC                     |



20050 SW 112th Ave.  
Tualatin, OR 97062  
Phone: 503-612-2300  
800-275-4899  
Fax: 503-612-2383  
Website: www.cui.com

|                      |                    |            |
|----------------------|--------------------|------------|
| TITLE: TAPE AND REEL |                    | REV: A     |
| PART NO. TR-09       | UNITS: MM [INCHES] |            |
| DRAWN BY: ZRJ        | APPROVED BY:       | SCALE: 2:1 |

PC FILE NAME:  
TR-09

COPYRIGHT 2008 BY CUI INC.