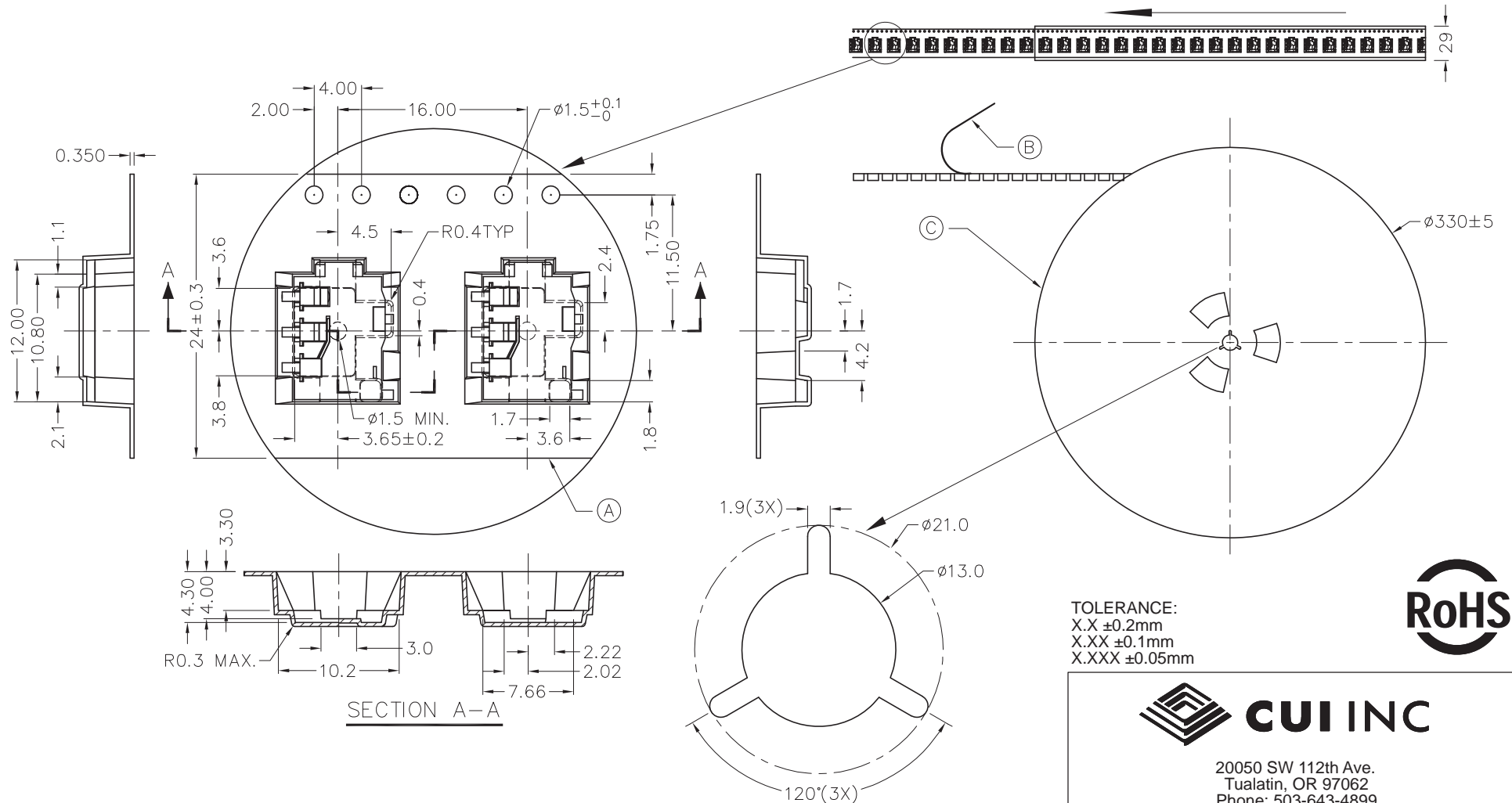


REV.	DESCRIPTION	DATE
A	NEW DRAWING	11/20/2006



TOLERANCE:
X.X ±0.2mm
X.XX ±0.1mm
X.XXX ±0.05mm



20050 SW 112th Ave.
Tualatin, OR 97062
Phone: 503-643-4899
800-275-4899
Fax: 503-372-1266
Website: www.cui.com

SUPPORTED PARTS
MJ1-2533-SMT
SJ1-2533-SMT
SJ1-2534-SMT
SJ1-2535-SMT

NOTE:
1000 JACKS PER REEL

	MATERIAL
CARRYING TAPE	POLYPROPYLENE
COVER TAPE	POLYPROPYLENE TEREPHTHALATE
REEL	PLASTIC

TITLE: TAPE AND REEL	REV: A
PART NO. TR-10	UNITS: MM [INCHES]
DRAWN BY: ZRJ	APPROVED BY:
	SCALE: 2:1

PC FILE NAME:
SJ1-251

COPYRIGHT 2006 BY CUI INC.