



Part No: CLS0281MAE-L152

Date: 7/5/2007

Description: speaker

Unit: mm

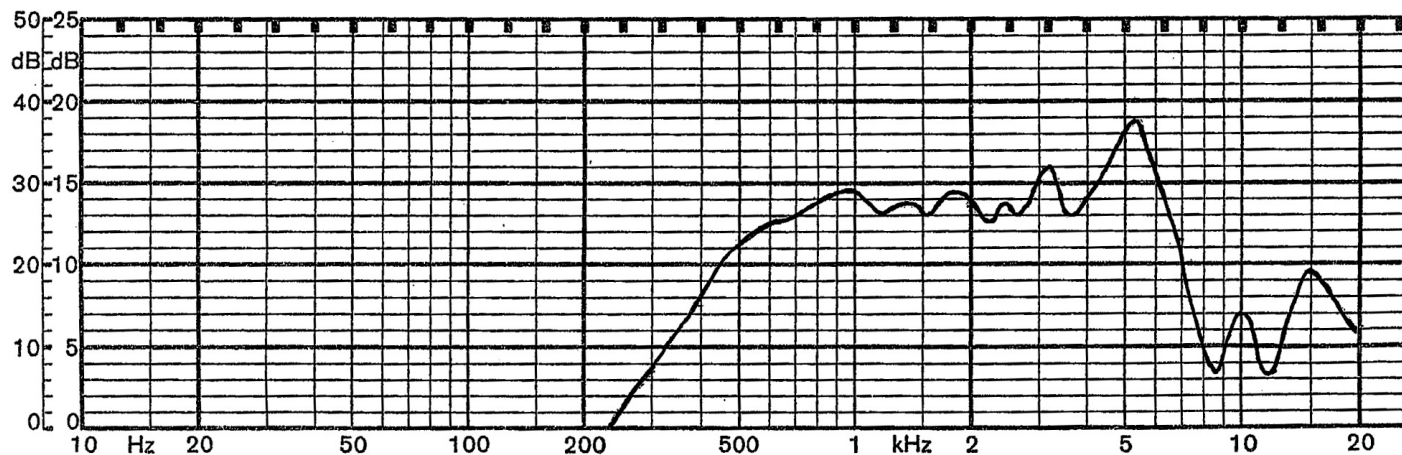
Page No: 1 of 2

Specifications

Nominal Size	28mm		
Impedance	8 Ohm \pm 15%	at	1 KHz 1 V
Resonant frequency	780 Hz \pm 156 Hz	at	1 V
Sound pressure level	87dB/w \pm 3 dB	1 w 50 cm ave. at	0.8K, 1K, 1.2K, 1.5K Hz
Response	Fo Hz ~ 7.5 KHz max 10 dB		
Input power	Nominal 2 W	Handling capacity	4 W
Operation	must be normal at program source 2 W		
Buzz, rattle, etc.	must be normal at sine wave 4 V		
Magnet	Size: 12.5 x 1.5 mm		
Load test	White noise 2 W	for	24 hours
Heat test	60 \pm 2° C	20-50% R.H.	24 hours
Humidity test	40 \pm 2° C	90-95% R.H.	24 hours

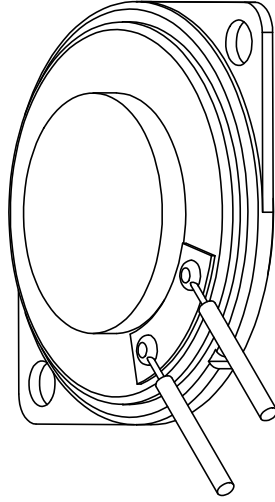
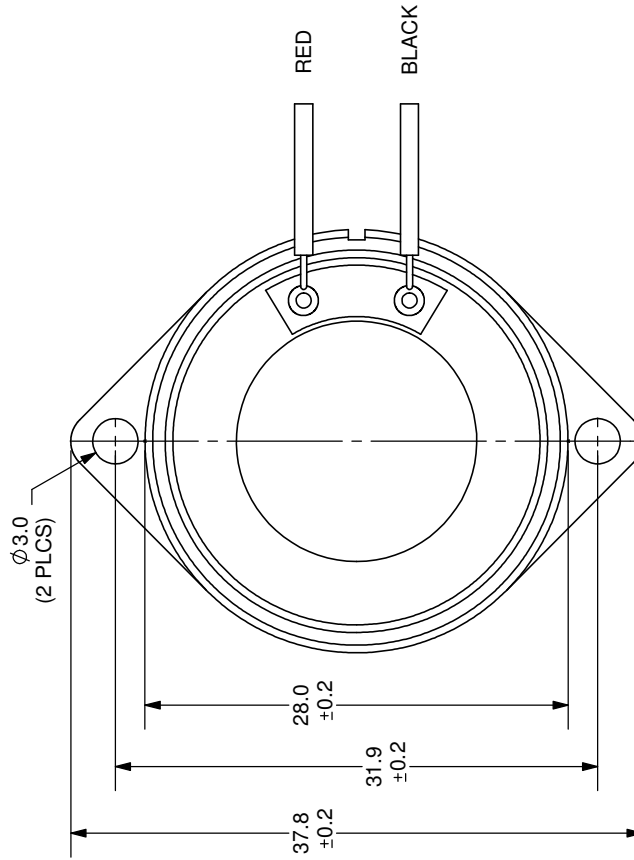
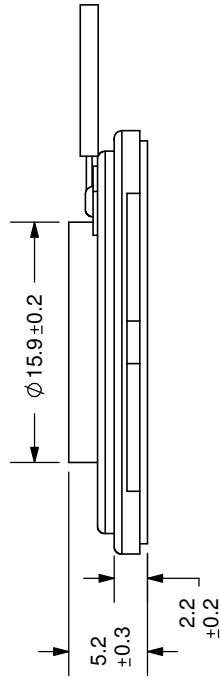
Frequency Response Curve

Potentiometer range	50 dB
Rectifier	RMS
Lower limit frequency	20 Hz
Wr. speed	100 mm/sec



Zero level 60 dB

REV.	DESCRIPTION	DATE
A	NEW DRAWING	7/3/2007



SPECIFICATIONS:
WIRE: UL1007, #28AWG
LENGTH: 152mm

TOLERANCE:
±0.5mm UNLESS OTHERWISE
SPECIFIED



CUI INC

20050 SW 112th Ave.
Tualatin, OR 97062
Phone: 503-612-2300
800-275-4899
Fax: 503-612-2383
Website: www.cui.com

TITLE: LOW PROFILE SPEAKER	REV: A
PART NO: CLS0281MAE-L152	UNITS: MM [INCHES]
DRAWN BY: ZRJ	APPROVED BY:
	SCALE: 2:1