



**PART NUMBER: CLS0361**

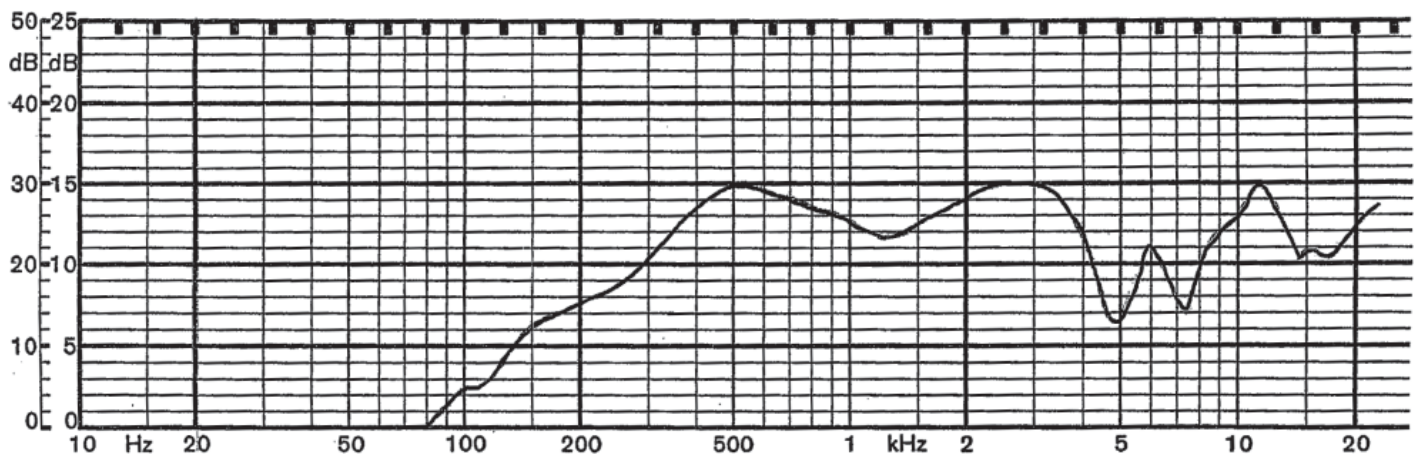
**DESCRIPTION: SPEAKER**

## SPECIFICATIONS

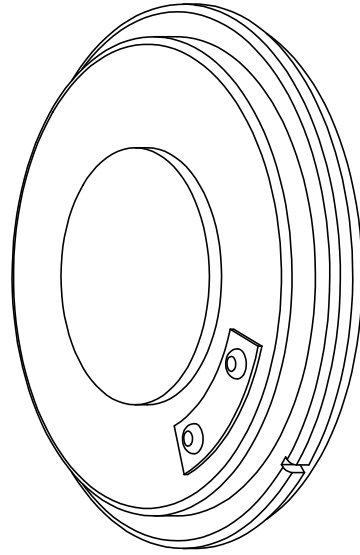
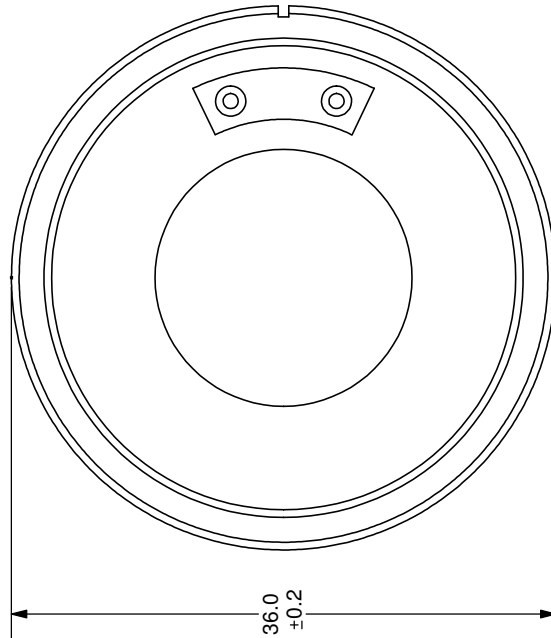
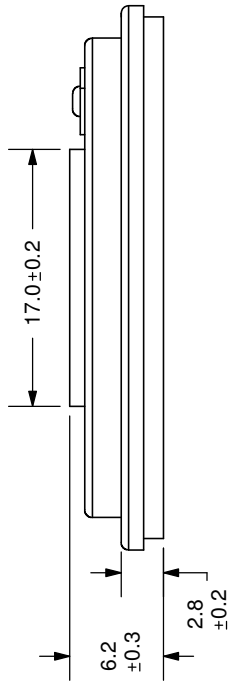
parameter	conditions/description	min	nom	max	units
nominal size	36 mm				
impedance	at 1 kHz, 1 V	6.8	8	9.2	$\Omega$
resonant frequency	at 1 V	288	360	432	Hz
sound pressure level	1 W, 50 cm ave., at 0.5, 0.6, 0.8, 1 kHz	85	88	91	dB
response	10 dB max.	Fo		20,000	Hz
input power			2	3	W
operation	must be normal at program source		2		W
buzz, rattle, etc.	must be normal at sine wave		4		V dc
magnet	size: 12.5 x 1.5 mm				
load test	24 hours of white noise at		2		W
heat test	20 ~ 50% RH for 24 hours	63	65	67	$^{\circ}$ C
humidity test	90 ~ 95% RH for 24 hours	38	40	42	$^{\circ}$ C
operating temperature		-25		60	$^{\circ}$ C
storage temperature		-40		70	$^{\circ}$ C
RoHS	yes				

## FREQUENCY RESPONSE CURVE

parameter	conditions/description
potentiometer range	50 dB
rectifier	RMS
lower limit frequency	20 Hz
wr. speed	100 mm/sec
zero level	60 dB



REV.	DESCRIPTION	DATE
A	NEW DRAWING	7/3/2007



TOLERANCE:  
±0.5mm UNLESS OTHERWISE  
SPECIFIED



**CUI INC**

20050 SW 112th Ave.  
Tualatin, OR 97062  
Phone: 503-612-2300  
800-275-4899  
Fax: 503-612-2383  
Website: www.cui.com

TITLE: LOW PROFILE SPEAKER	REV: A
PART NO: CLS0361	UNITS: MM [INCHES]
DRAWN BY: ZRJ	APPROVED BY:
	SCALE: 2:1