

MODEL: CMS-16098A-SP | **DESCRIPTION:** SPEAKER

FEATURES

- micro-speaker
- small footprint
- low profile
- spring leads

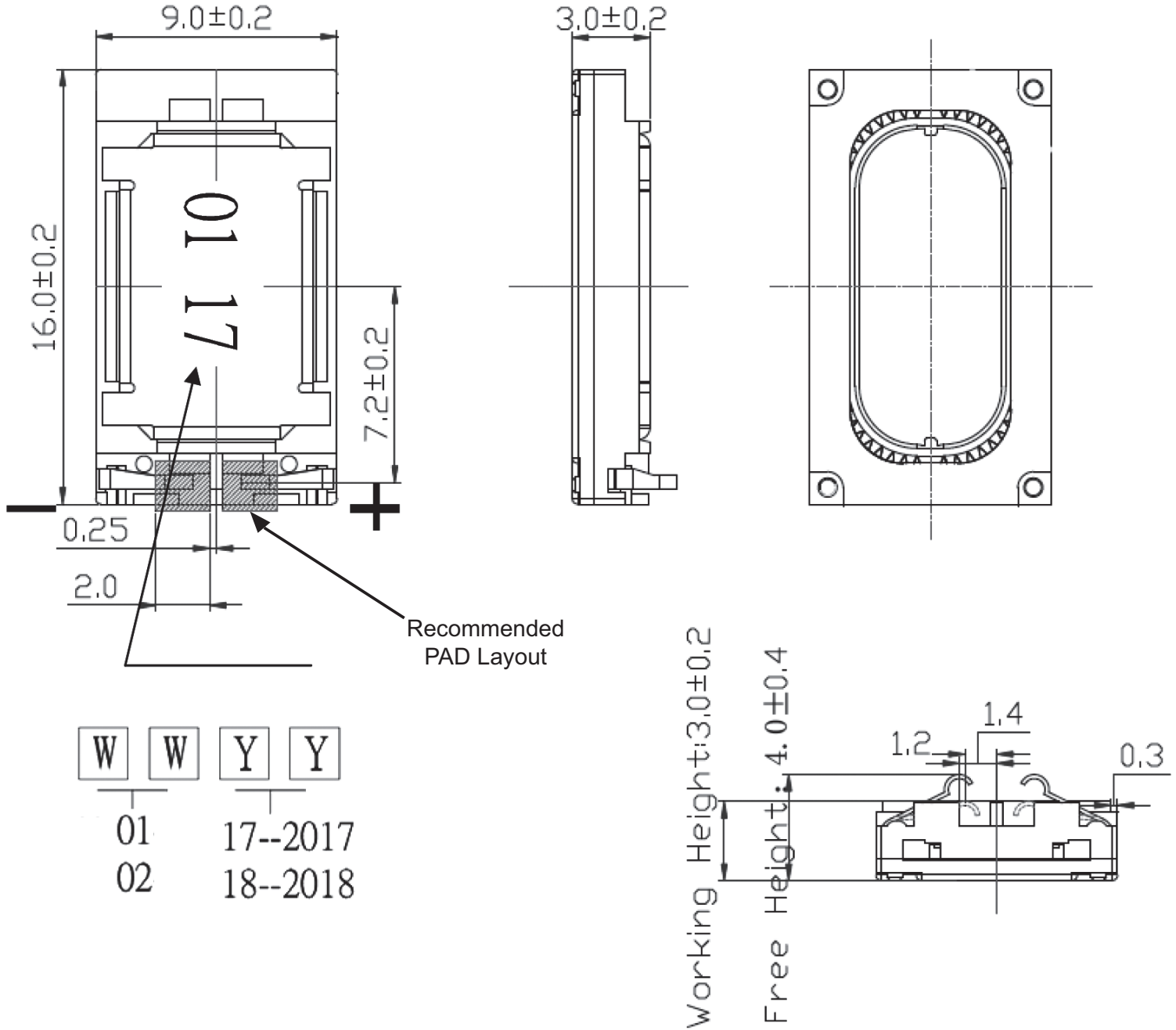

SPECIFICATIONS

parameter	conditions/description	min	typ	max	units
input power	maximum power: IEC-60268-5, filter 60s on/120s off, 10 cycles at room temp in 1 cc closed box		0.8	1.0	W
impedance	at 2.0 kHz	6.8	8	9.2	Ω
resonant frequency (Fo)	at 1.0 V at 1.0 V in 1 cc closed box	467.5 722.5	550 850	632.5 977.5	Hz Hz
frequency response	output SPL \pm 10 dB	Fo		10,000	Hz
sound pressure level	at 0.8 W, 0.1 m, at 2.0 kHz in 1 cc closed box	85	88	91	dB
distortion	at 1.0 kHz, 0.8 W			15	%
buzz, rattle, etc.	must be normal at sine wave between Fo ~ 20 kHz in 1 cc closed box		2.53		V
polarity	cone will move forward with positive dc current to "+" terminal				
dimensions	16 x 9.0 x 3.0				mm
magnet	Nd-Fe-B				
material	PBT				
cone material	mylar				
terminal	spring contact				
weight			1.0		g
operating temperature		-20		75	$^{\circ}$ C
storage temperature		-30		85	$^{\circ}$ C
RoHS	2011/65/EU				

Notes: 1. All specifications measured at 5~35 $^{\circ}$ C, humidity at 45~85%, under 86~106 kPa pressure, unless otherwise noted.

MECHANICAL DRAWING

units: mm
tolerance: ± 0.2 mm

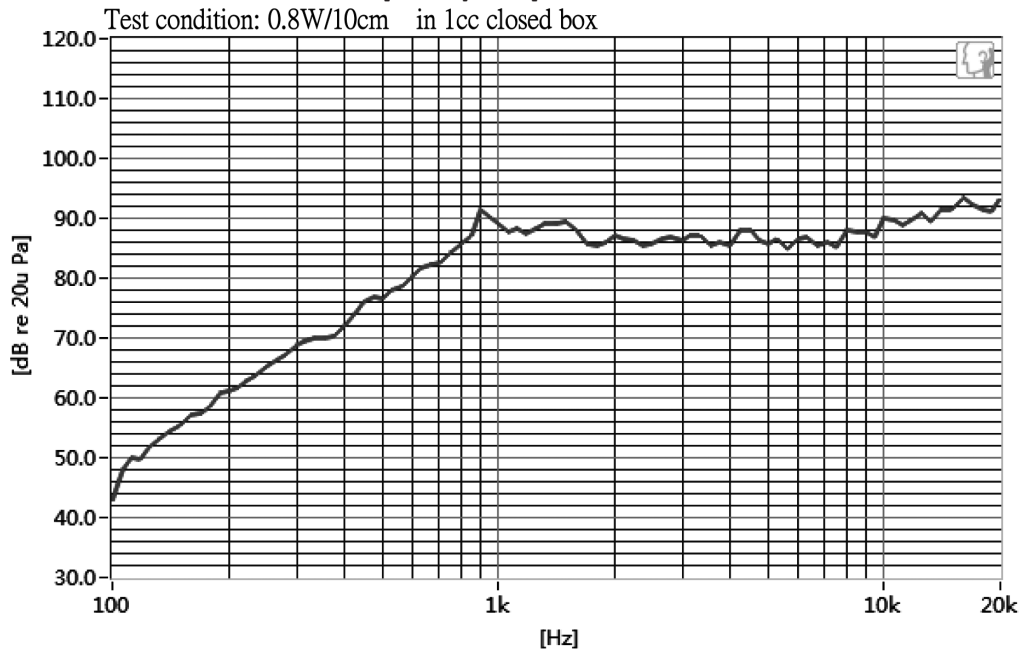


W	W	Y	Y
01	17--2017		
02	18--2018		

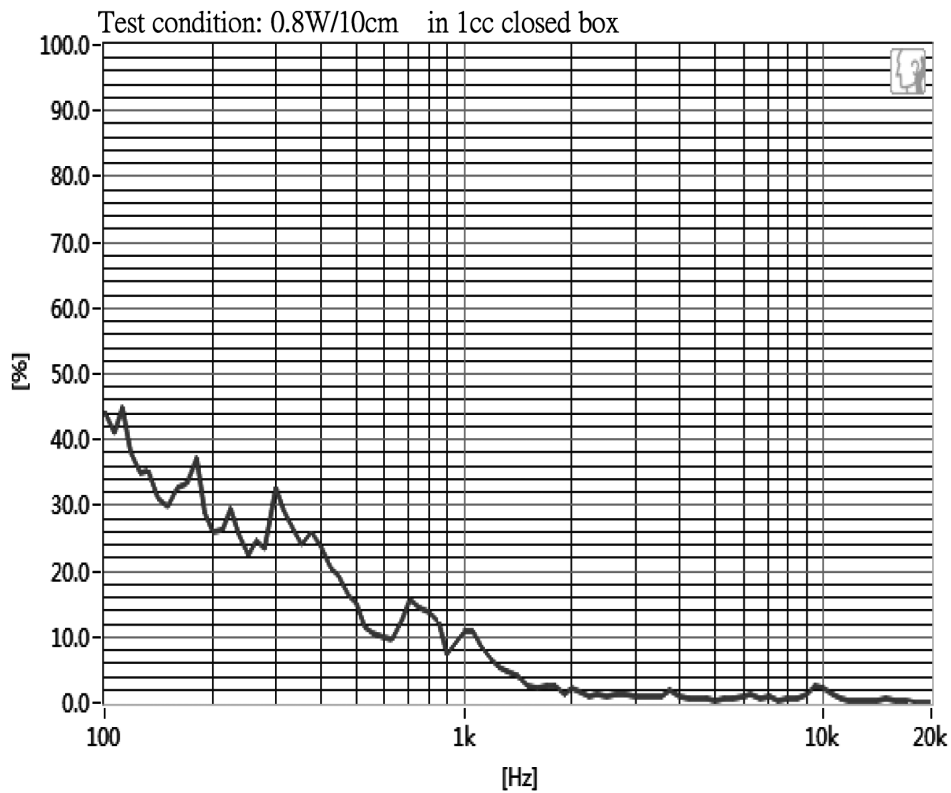
Note: 1. Maximum compression force between front frame and back frame & yoke is 5 N.

RESPONSE CURVES

Frequency Response Curve



Total Harmonic Distortion Curve

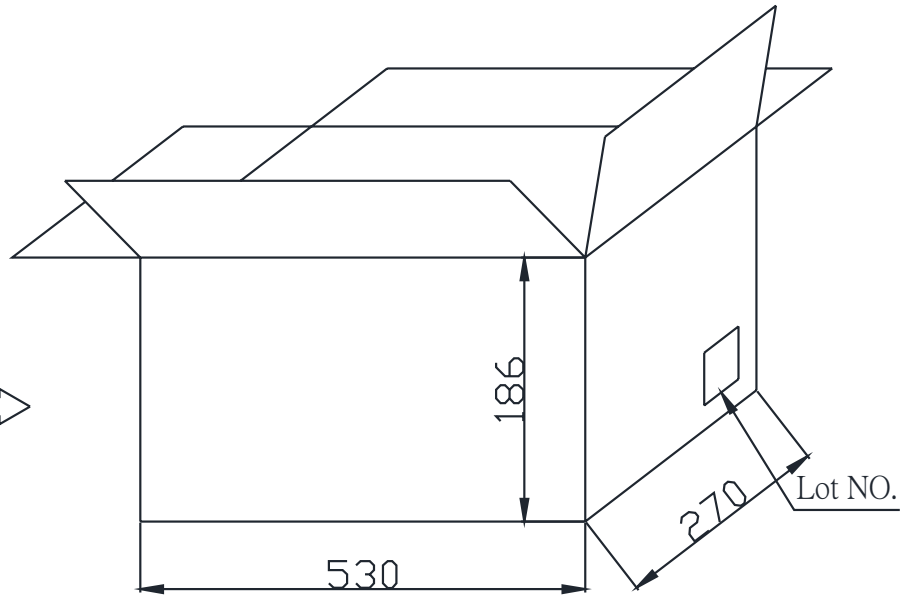
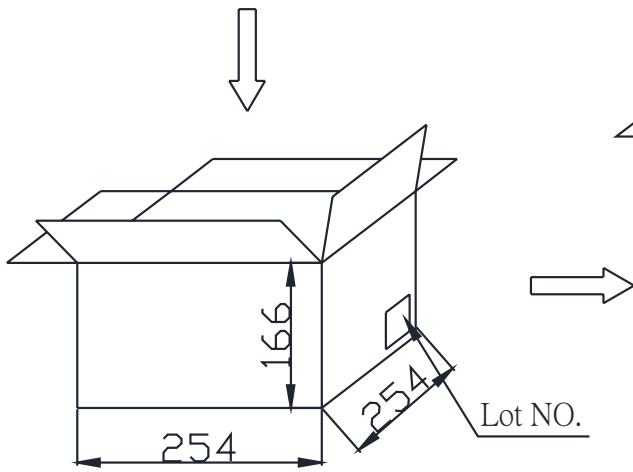
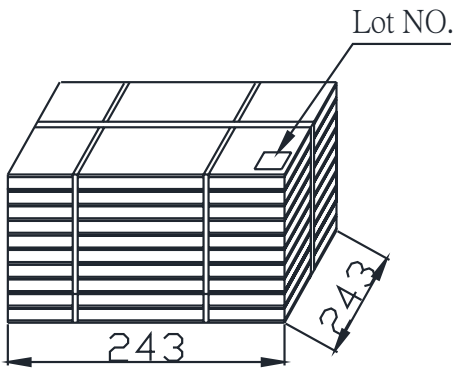


PACKAGING

units: mm

Tray Size: 243 x 243 x 10 mm
 Carton Size: 530 x 270 x 186 mm
 Tray QTY: 120 pcs per tray
 Carton QTY: 3,600 pcs per carton

Lot No.	XXXXXXXXXX
Model No.	CUI Inv#. CUI Part#.
Quantity.	XXXX Pcs
Date:	DD MM YY
	MADE IN CHINA
	CUI Inc



REVISION HISTORY

rev.	description	date
1.0	initial release	07/06/2017

The revision history provided is for informational purposes only and is believed to be accurate.



Headquarters
20050 SW 112th Ave.
Tualatin, OR 97062
800.275.4899

Fax 503.612.2383
cui.com
techsupport@cui.com

CUI offers a one (1) year limited warranty. Complete warranty information is listed on our website.

CUI reserves the right to make changes to the product at any time without notice. Information provided by CUI is believed to be accurate and reliable. However, no responsibility is assumed by CUI for its use, nor for any infringements of patents or other rights of third parties which may result from its use.

CUI products are not authorized or warranted for use as critical components in equipment that requires an extremely high level of reliability. A critical component is any component of a life support device or system whose failure to perform can be reasonably expected to cause the failure of the life support device or system, or to affect its safety or effectiveness.