



PART NUMBER: CMS0201KFL-1X

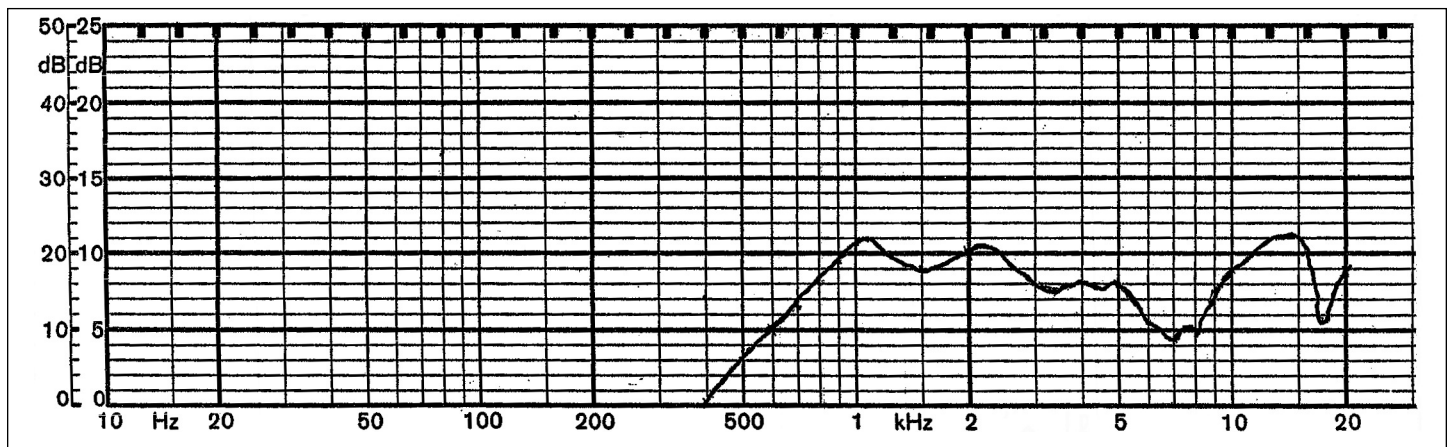
DESCRIPTION: speaker

SPECIFICATIONS

nominal size	16 x 20 x 6.6 mm		
impedance	8 Ohm \pm 15%	at	1 kHz 1 V
resonant frequency	1050 Hz \pm 210 Hz	at	1 V
sound pressure level	81 dB/W \pm 3 dB	1 W 50 cm ave. at 1.2 k, 1.5 k, 2.0 k, 2.5 kHz	
response	Fo Hz ~ 20 kHz max 10 dB		
input power	nominal 2 W	handling capacity	2.5 W
operation	must be normal at program source 2 W		
buzz, rattle, etc.	must be normal at sine wave 4 V		
magnet	size: 9.6 x 2.2 mm		
load test	white noise 2 W	for	24 hours
heat test	65 \pm 2° C	20-50% R.H.	24 hours
humidity test	40 \pm 2° C	90-95% R.H.	24 hours

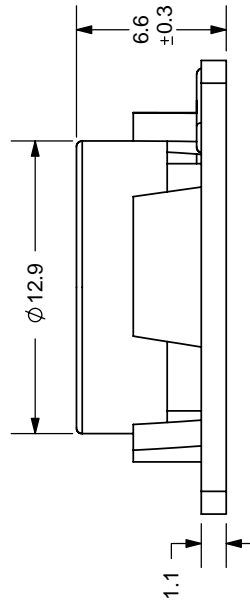
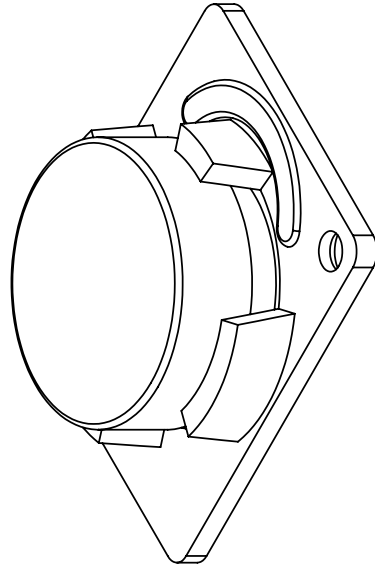
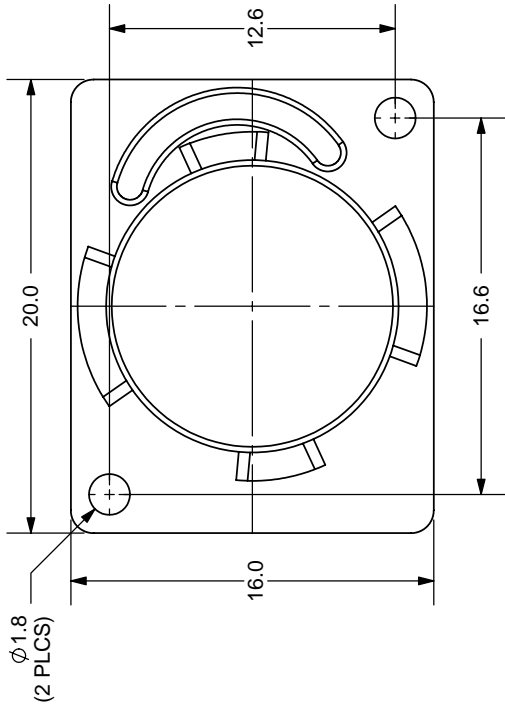
FREQUENCY RESPONSE CURVE

potentiometer range	50 dB
rectifier	RMS
lower limit frequency	20 Hz
wr. speed	100 mm/sec



zero level 60 dB

REV.	DESCRIPTION	DATE
A	NEW DRAWING	10/2/2006



TOLERANCE:
±0.2mm UNLESS OTHERWISE
SPECIFIED



CUI INC

20050 SW 112th Ave.
Tualatin, OR 97062
Phone: 503-643-4899
800-275-4899
Fax: 503-372-1266
Website: www.cui.com

TITLE:	MINIATURE MONITOR SPEAKER	REV:	A
PART NO:	CMS0201KFL-1X	UNITS:	MM [INCHES]
DRAWN BY:	ZRJ	APPROVED BY:	
		SCALE:	3:1