



MODEL: CMT-8530S-SMT | **DESCRIPTION:** MAGNETIC BUZZER TRANSDUCER

FEATURES

- low profile
- washable
- rated frequency of 2730 Hz



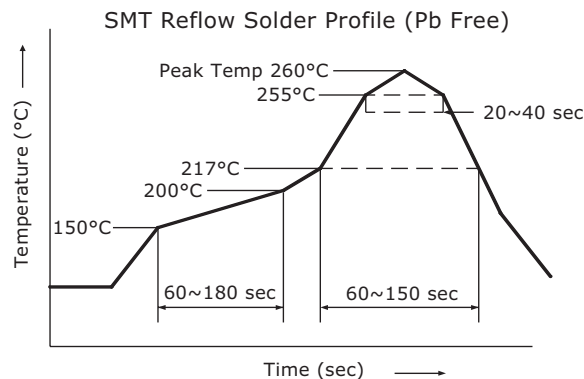
SPECIFICATIONS

parameter	conditions/description	min	typ	max	units
rated voltage			3.6		Vo-p
operating voltage		3.0		5.0	Vo-p
current consumption	at rated voltage, 2,730 Hz square wave, 1/2 duty			90	mA
rated frequency			2,730		Hz
sound pressure level	at 10 cm (A-weight), rated voltage, 2,730 Hz square wave, 1/2 duty	87	90		dB(A)
coil resistance		13	16	19	Ω
dimensions	8.5 x 8.5 x 3.0				mm
weight			0.8		g
material	LCP				
terminal	SMT type (Au plating)				
operating temperature		-30		75	°C
storage temperature		-40		85	°C
RoHS	2011/65/EU				

Notes: 1. Add suffix "-TR" to the model for tape & reel packaging
 2. All specifications measured at 5~35°C, humidity at 45~85%, under 86~106 kPa pressure, unless otherwise noted.

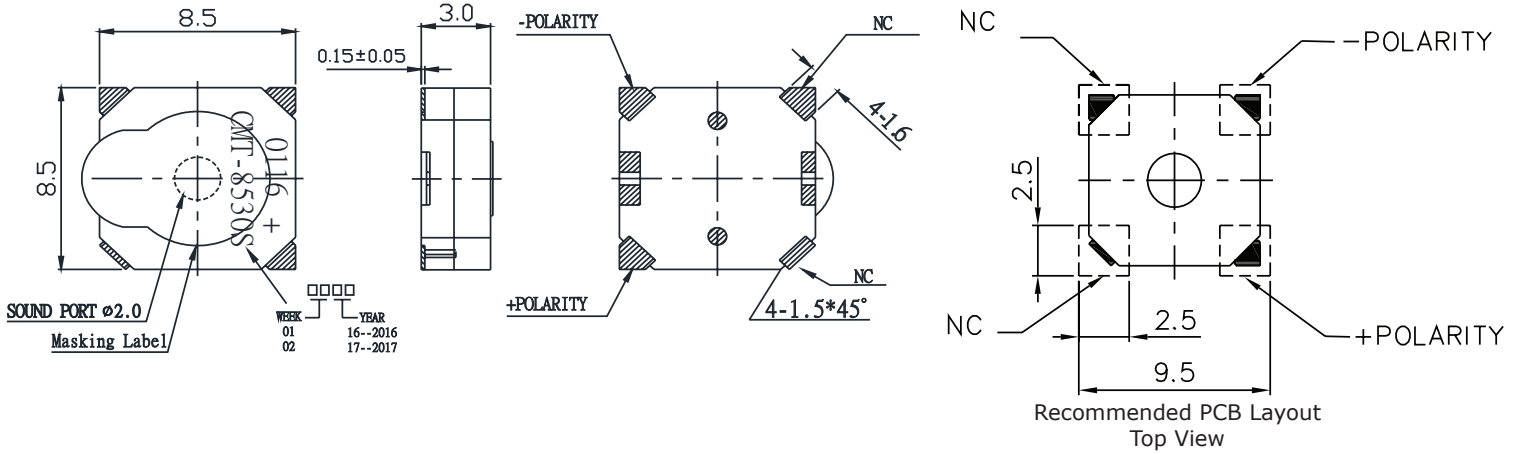
SOLDERABILITY

parameter	conditions/description	min	typ	max	units
reflow soldering	see recommended reflow soldering profile			260	°C

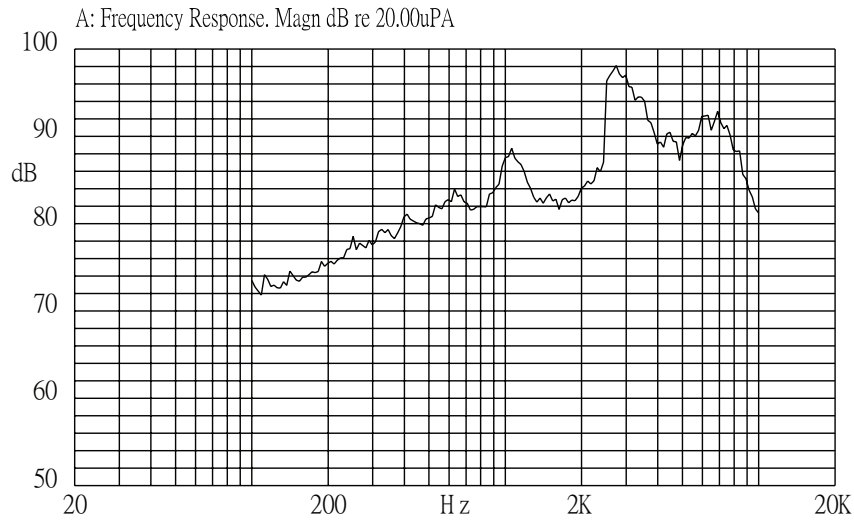


MECHANICAL DRAWING

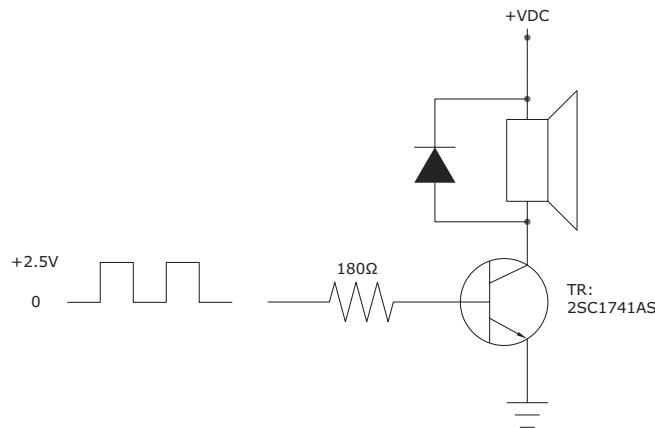
units: mm
tolerance: ± 0.5 mm



FREQUENCY RESPONSE CURVE



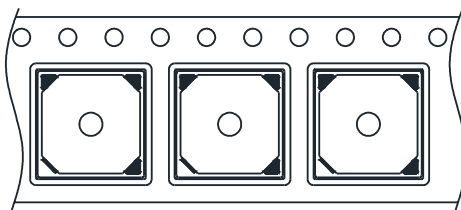
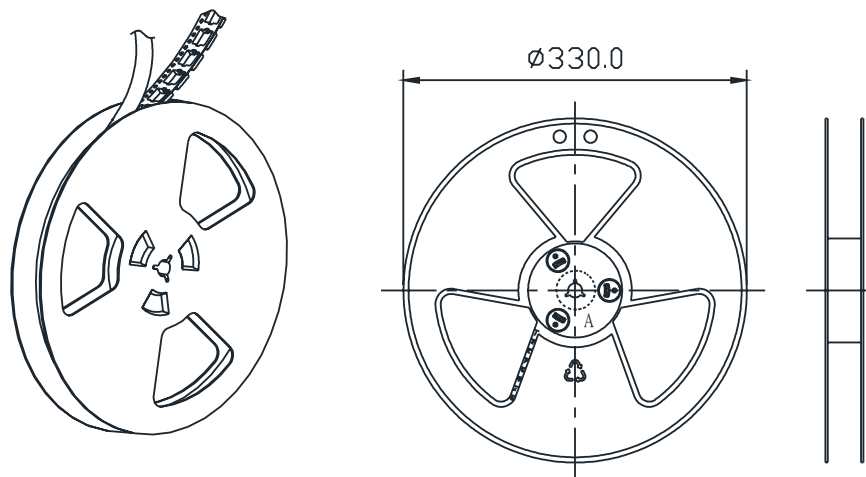
MEASUREMENT METHOD



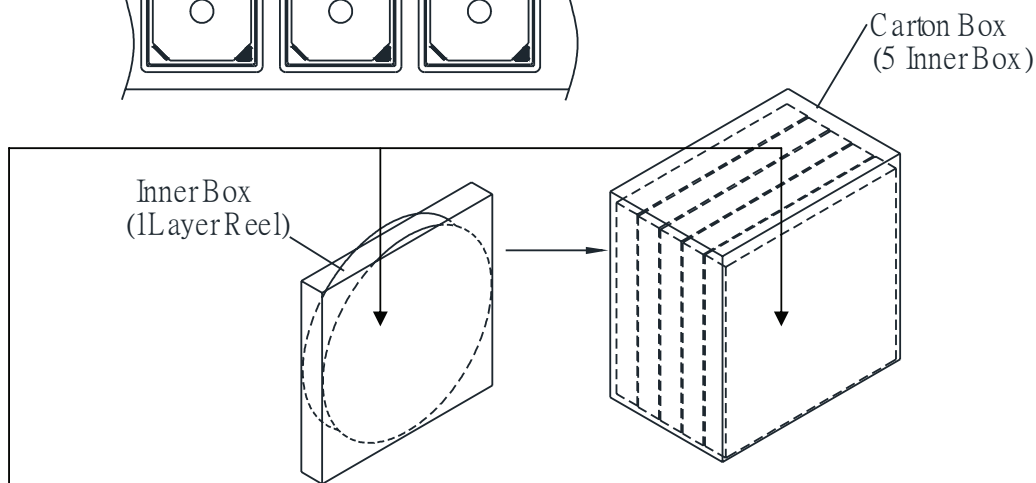
PACKAGING

units: mm

Reel Size: Ø330 mm
 Carton Size: 175 x 355 x 350 mm
 Reel QTY: 1,000 pcs per reel
 Carton QTY: 5,000 pcs per carton



1 Reel : 1000PCS



Lot No.	XXXXXXXXXX
Model No.	XXXXXXXXXX
Quantity.	XXXX Pcs
Date:	
DD MM YY	
MADE IN CHINA	
CUI Inc	



The label is placed on the inner boxes and outer carton.

REVISION HISTORY

rev.	description	date
1.0	initial release	03/31/2016

The revision history provided is for informational purposes only and is believed to be accurate.



Headquarters
20050 SW 112th Ave.
Tualatin, OR 97062
800.275.4899

Fax 503.612.2383
cui.com
techsupport@cui.com

CUI offers a one (1) year limited warranty. Complete warranty information is listed on our website.

CUI reserves the right to make changes to the product at any time without notice. Information provided by CUI is believed to be accurate and reliable. However, no responsibility is assumed by CUI for its use, nor for any infringements of patents or other rights of third parties which may result from its use.

CUI products are not authorized or warranted for use as critical components in equipment that requires an extremely high level of reliability. A critical component is any component of a life support device or system whose failure to perform can be reasonably expected to cause the failure of the life support device or system, or to affect its safety or effectiveness.