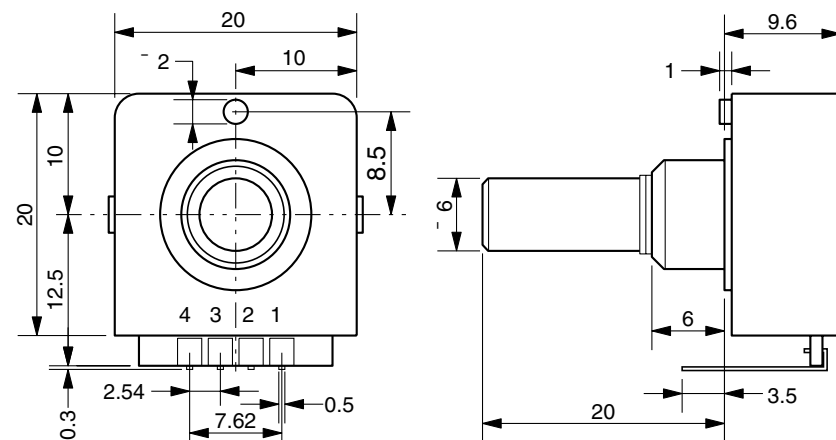


EC204B020B



EC204B020A

SPECIFICATIONS

ELECTRICAL

1. Input Voltage: 5.0 VDC \pm 5%
2. Current Consumption: 50 mA max.
3. Resolution: 20 PPR, incremental
4. Phase Difference, chA/chB: $90^\circ \pm 45^\circ$
5. Output: TTL, CMOS compatible
6. Max. Freq. Response: 100 Hz

MECHANICAL

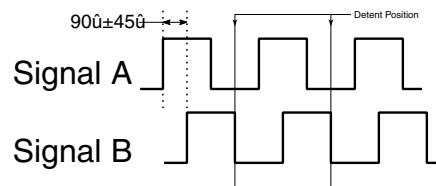
1. Max Shaft Load, radial: 1.0 kgf
axial: 1.0 kgf
2. Rotational Angle: 360° continuous
3. Detent Torque: 40 ± 20 gf \cdot cm
4. Rotational Life: 1.0×10^6 cycles

ENVIRONMENTAL

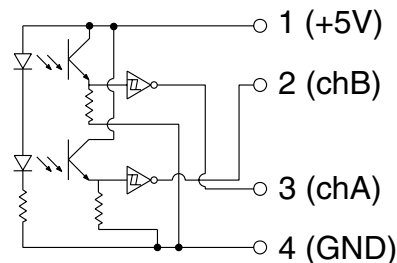
1. Operating Temp: 0° to $+60^\circ$ C
2. Storage Temp: -20° to $+80^\circ$ C
3. Humidity: 85% RH, no condensation
4. Vibration: 10 - 55 Hz, 1.5 mm, 2 hrs
5. Shock: 50G, 6ms, 3 axes, 3 reps

OUTPUT WAVEFORM

Counter clockwise rotation viewed from front



OUTPUT CIRCUIT



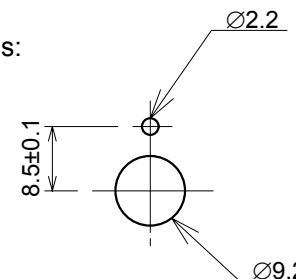
Ordering Information

EC204B020

- A: PC Board Pins
- B: Through Holes

CUT-OUT DIMENSIONS

Mounting Panel Thickness:
1.6~2.0mm



C U I Stack, Inc.
9615 SW Allen Blvd. #103
Beaverton, OR 97005
Tel: 503/643-4899 FAX: 503/643-6129



DRAWN BY JAS	UPDATED 06/28/06	CHECKED 06/28/06	RELEASED
-----------------	---------------------	---------------------	----------

PART NO. EC204B020X	REV. B
-------------------------------	------------------