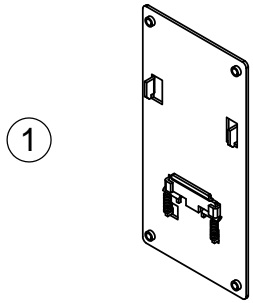
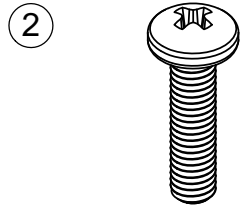


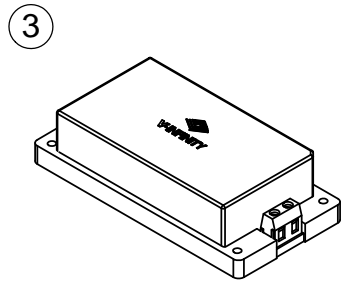
| REV. | DESCRIPTION | DATE |
|------|-------------|-----------|
| A | NEW DRAWING | 9/15/2008 |



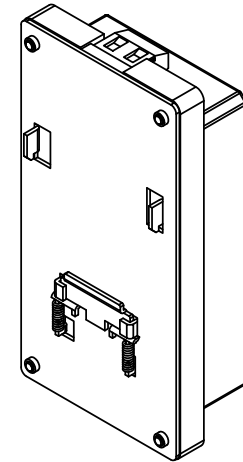
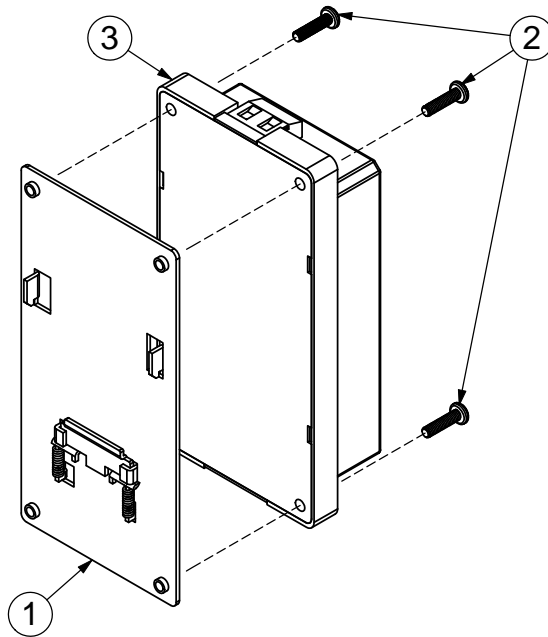
DIN RAIL BRACKET
QTY: 1



M3X0.5
12mm length
QTY: 4

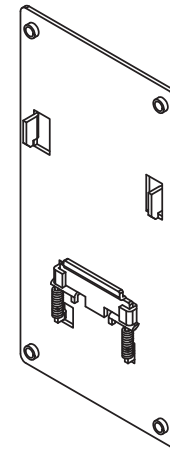
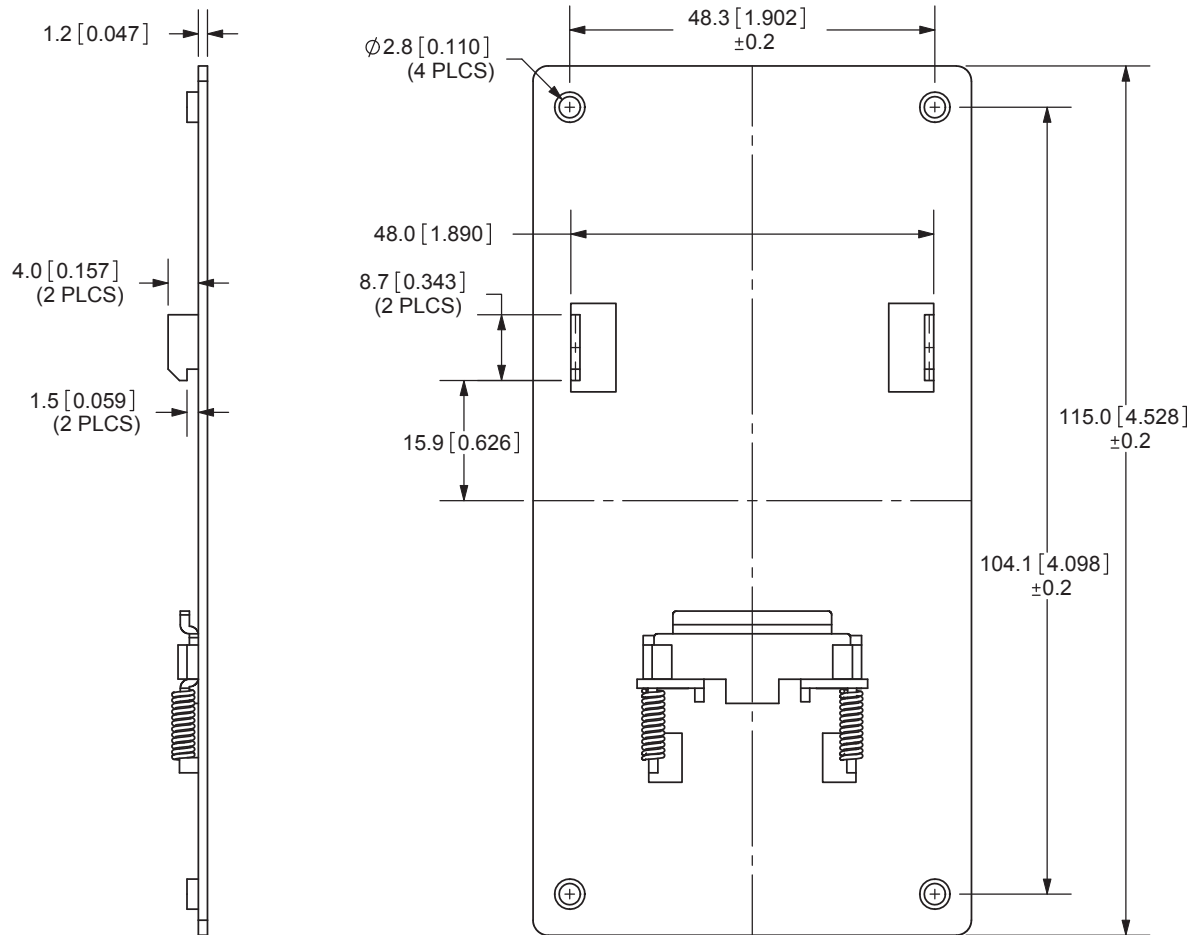


V-INFINITY
AC/DC CONVERTER
QTY: 1
(sold separately)



| | | |
|---|--------------------|------------|
| TITLE: DIN RAIL MOUNTING BRACKET ASSEMBLY INSTRUCTIONS | | REV: A |
| PART NO. FSC-S30-DIN | UNITS: MM [INCHES] | |
| DRAWN BY: ZRJ | APPROVED BY: | SCALE: 1:2 |

| REV. | DESCRIPTION | DATE |
|------|-------------|-----------|
| A | NEW DRAWING | 9/15/2008 |



SCALE: 1:2

TOLERANCE:
±0.3mm UNLESS OTHERWISE
SPECIFIED



20050 SW 112th Ave.
Tualatin, OR 97062
Phone: 503-612-2300
800-275-4899
Fax: 503-612-2383
Website: www.cui.com

| | | |
|---|-----------------------|---------------|
| TITLE: DIN RAIL MOUNTING BRACKET ASSEMBLY INSTRUCTIONS | | REV: A |
| PART NO: DIN RAIL BRACKET | UNITS: MM [INCHES] | |
| DRAWN BY: ZRJ | APPROVED BY: | SCALE: 1:1 |