



Part No: GA0381M

Date: 9/29/2006

Unit: mm

Description: speaker

Page No: 1 of 2

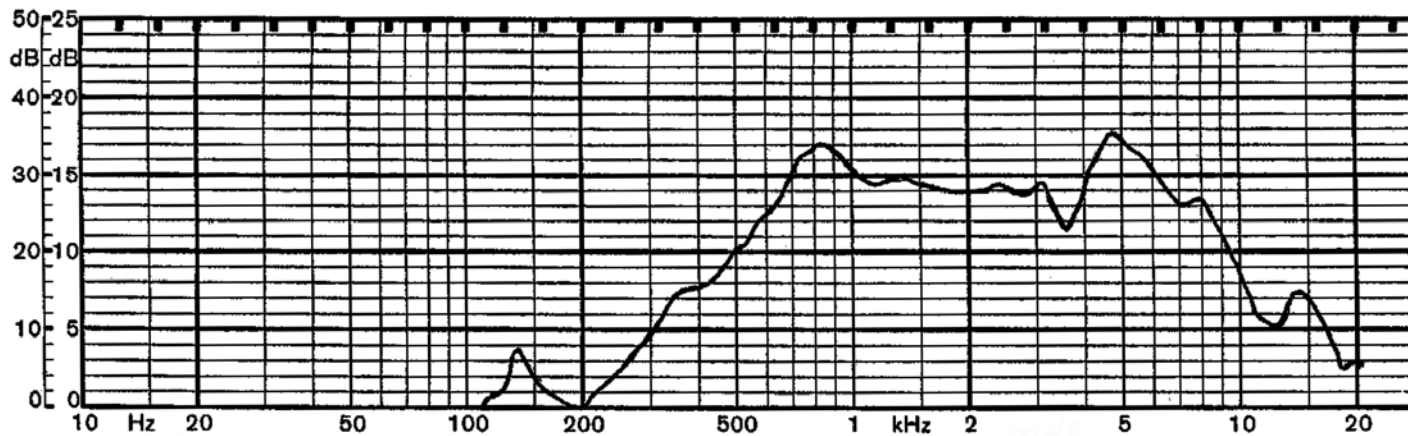


Specifications

Nominal Size	38 mm (1.50 in)	(See attached drawing)
Impedance	8 Ohm \pm 15%	at 800 Hz 1 V
Resonant frequency	800 Hz \pm 160 Hz	at 1 V
Sound pressure level	79 dB/w \pm 3 dB	0.2 w 50 cm ave. at 0.8K, 1.2K, 1.5K,1.7KHz
Response	Fo Hz ~ 9 KHz max 10 dB	
Input power	Nominal 0.2 W	Handling capacity 0.4 W
Operation	must be normal at program source 0.2 W	
Buzz, rattle, etc.	must be normal at sine wave 1.26 V	
Magnet	Size: 13 x 10 mm	
Load test	White noise 0.2 W	for 5 hours
Heat test	65 \pm 2° C	20-50% R.H. 5 hours
Humidity test	40 \pm 2° C	90-95% R.H. 5 hours

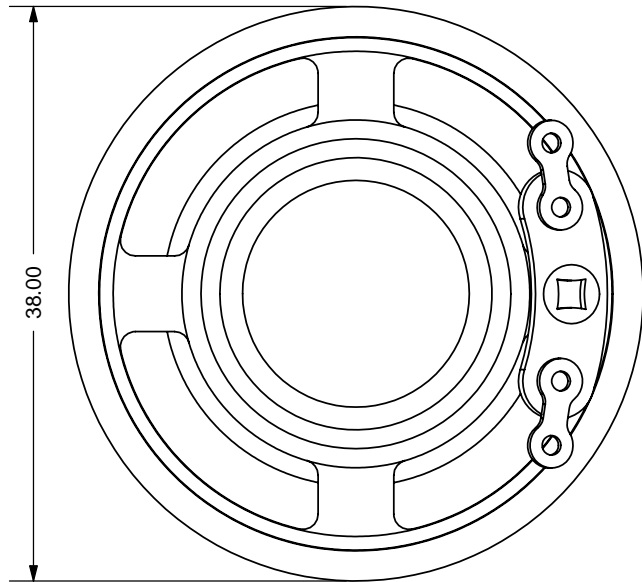
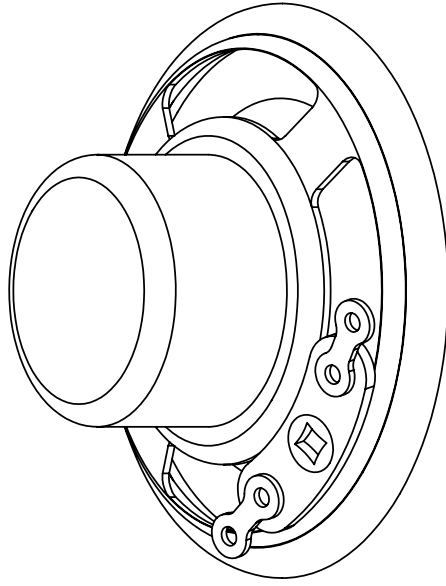
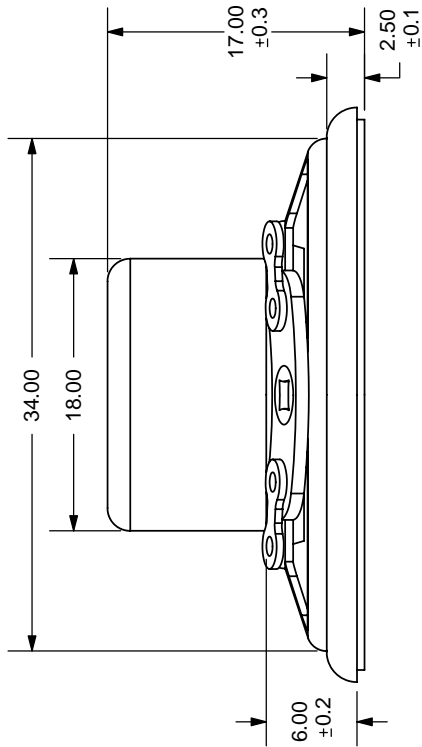
Frequency Response Curve

Potentiometer range	50 dB
Rectifier	RMS
Lower limit frequency	20 Hz
Wr. speed	100 mm/sec



Zero level 50 dB

REV.	DESCRIPTION	DATE
A	NEW DRAWING	9/15/2006



TOLERANCE:
±0.5mm UNLESS OTHERWISE
SPECIFIED



CUI INC

20050 SW 112th Ave.
Tualatin, OR 97062
Phone: 503-643-4899
800-275-4899
Fax: 503-372-1266
Website: www.cui.com

TITLE: Round frame mylar cone - alnico magnet	REV: A
PART NO: GA0381M	UNITS: MM [INCHES]
DRAWN BY: ZRJ	APPROVED BY:
	SCALE: 2:1

PC FILE NAME: GA0381M