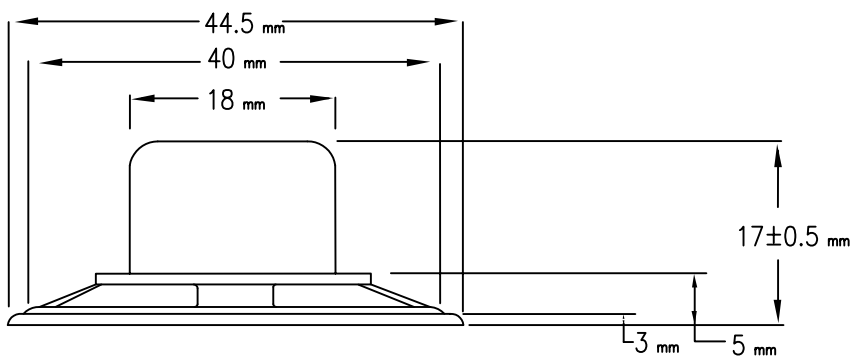
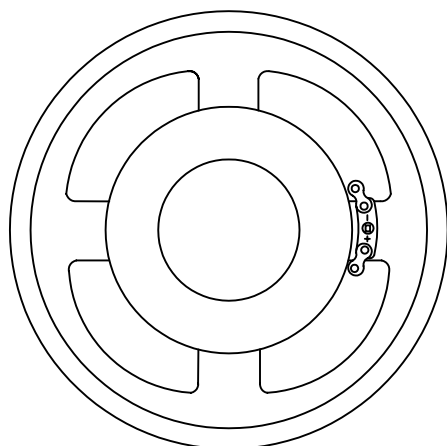



**CUI INC**
**9615 SW Allen, Suite 103  
 Beaverton, OR 97005  
 Phone: (503) 643-4899  
 800-275-4899  
 Fax: (503) 372-1266  
 Website: www.cui.com**

# Specifications

1	Part No.	GA0451M			
2	Nominal Size	45 mm.	1 3/4"	inch	
3	Impedance	8 $\Omega$ $\pm$ 15%	at	800 Hz.	1 V.
4	Resonance	520 Hz. $\pm$ 104 Hz.	FO Hz.	1 V.	
5	S.P. Level	81 dB/w $\pm$ 3 dB	0.2 w.	50 cm.	average at
6	Response	fo Hz. $\sim$ 2.5K Hz.	MAX 10dB	600, 800, 900, 1.2K Hz.	
7	Crossover Freq.	Hz.	Hz.	dB/OCT	Net work
8	Input Power	Nominal Input	0.2 w.	Handling Capacity	0.5 w.
9	Operation	Must be normal at program source			0.2 w.
10	Buzz, Rattle, etc.	Must be normal at sine wave			1.26 v.
11	Flux Density	Gauss $\pm$ 10%			
12	Total Flux	Max well min			
13	Magnet	Size	13 x 10 mm	gr	oz
14	Total Weight				gr oz
15	Load Test	After test meet item 9 and 10	White noise	0.2 W.	5 Hours
16	Distortion	% MAX		Hz	W.
17	Heat Test	After test meet item 9 and 10	70 $\pm$ 2 $\pm$ °C	20-50 %R.H.	5 Hours
18	Humidity Test	After test meet item 9 and 10	40 $\pm$ 2 $\pm$ °C	90-95 %R.H.	5 Hours

PART NO.	GA0451M	UNITS:	mm
DRAWN BY:		PAGE NO:	1 of 2



9615 SW Allen, Suite 103  
Beaverton, OR 97005  
Phone: (503) 643-4899  
800-275-4899  
Fax: (503) 372-1266  
Website: [www.cui.com](http://www.cui.com)

TITLE:

PART NO.

GA0451M

UNITS:

mm

DRAWN BY:

Page No.

2 of 2