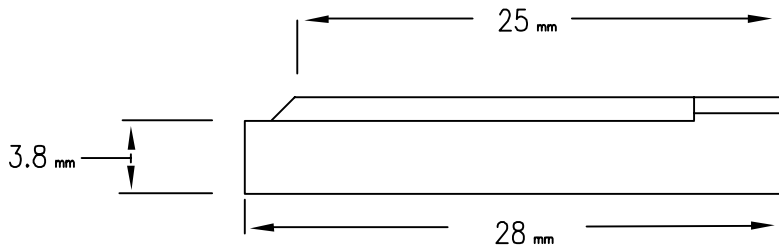
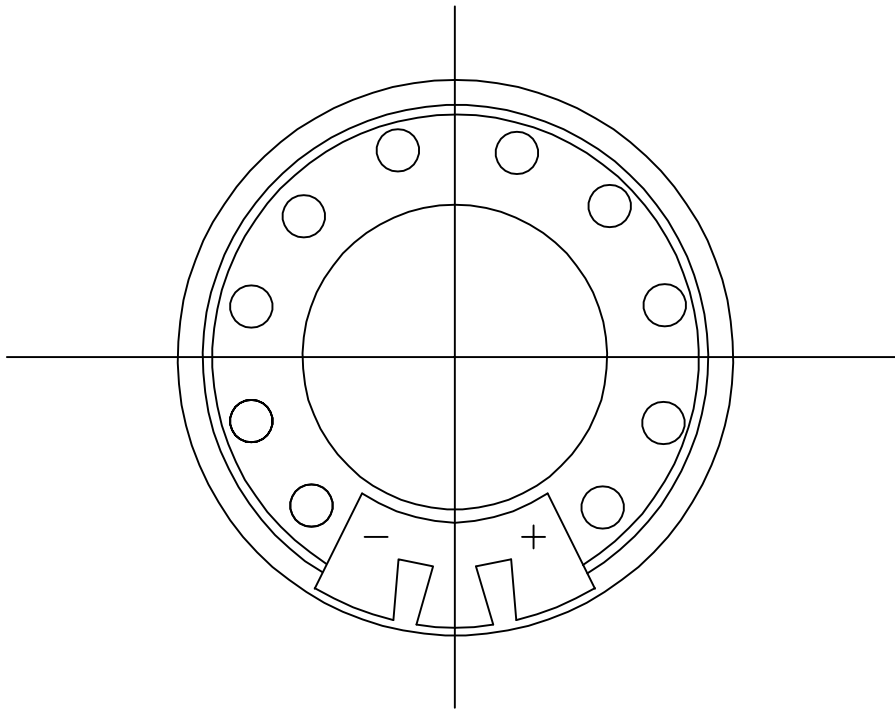


9615 SW Allen, Suite 103
 Beaverton, OR 97005
 Phone: (503) 643-4899
 800-275-4899
 Fax: (503) 372-1266
 Website: www.cui.com

Specifications

1	Part No.	GC0281M			
2	Nominal Size	28 mm.	inch		
3	Impedance	$8 \Omega \pm 15\%$	at	800 Hz.	1 V.
4	Resonance	730 Hz. \pm 130 Hz.	FO Hz.	1 V.	
5	S.P. Level	112 dB/w \pm 3 dB	0.1 w.	1 cm.	average at
6	Response	fo Hz. \sim 2.8K Hz. MAX 10dB	800, 1K, 1.2K, 1.5K Hz.		
7	Crossover Freq.	Hz.	Hz.	dB/OCT	Net work
8	Input Power	Nominal Input	0.1 w.	Handling Capacity	0.2 w.
9	Operation	Must be normal at program source			0.1 w.
10	Buzz, Rattle, etc.	Must be normal at sine wave			0.89 v.
11	Flux Density	Gauss \pm 10%			
12	Total Flux	Max well min			
13	Magnet	Size	9.5 x 1.5 mm	gr	oz
14	Total Weight				gr oz
15	Load Test	After test meet item 9 and 10	White noise	0.1 W.	5 Hours
16	Distortion	% MAX		Hz	W.
17	Heat Test	After test meet item 9 and 10	70 \pm 2 \pm °C	20-50 %R.H.	5 Hours
18	Humidity Test	After test meet item 9 and 10	40 \pm 2 \pm °C	90-95 %R.H.	5 Hours

PART NO.	GC0281M	UNITS:	mm
DRAWN BY:		PAGE NO:	1 of 2



CUI INC

9615 SW Allen, Suite 103
Beaverton, OR 97005
Phone: (503) 643-4899
800-275-4899
Fax: (503) 372-1266
Website: www.cui.com

TITLE:

PART NO.

GC0281M

UNITS:

mm

DRAWN BY:

Page No.

2 of 2