



PART NUMBER: MAS60

DESCRIPTION: absolute encoder

ELECTRICAL SPECIFICATIONS

output signals	G: gray code, N: pure binary code, B: BCD code
current consumption	300 mA max. (voltage output), 150 mA max. (open collector)
frequency response	40 kbit/sec (10 kbit/sec when accuracy is guaranteed)
output phase difference	90° ± 45°
output circuit / supply voltage	voltage output: 5 V dc -5% ~ 12 Vdc +10% open collector: 5 V dc -5% ~ 24 V dc +15%
output resolution (ppr)	256, 360, 400, 512, 720, 800, 1000, 1024, 2000, 2048, 3600, 4096
output circuit	voltage (TTL), open collector

MECHANICAL SPECIFICATIONS

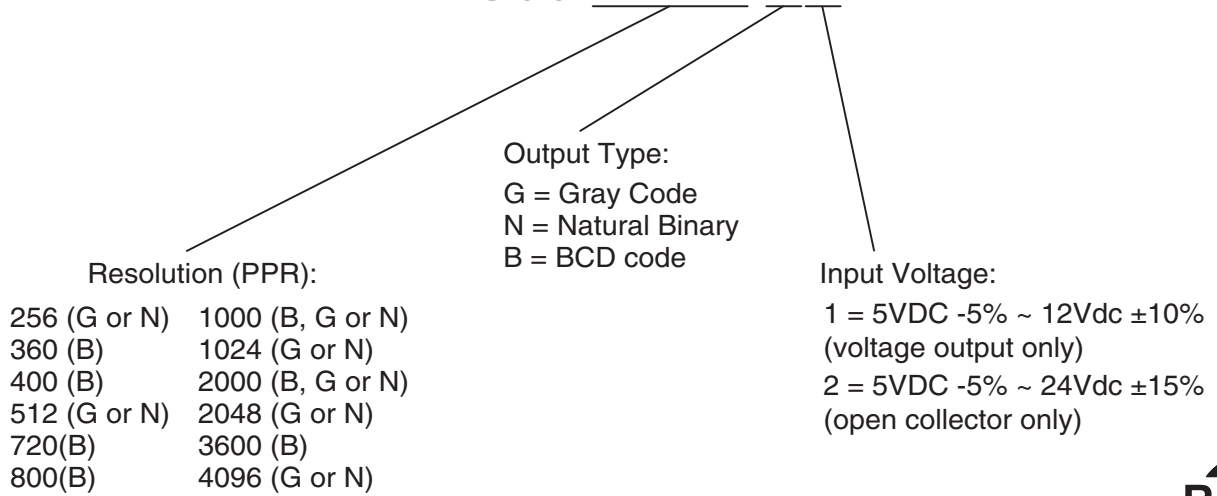
max shaft load	radial: 5.0 kgf axial: 3.0 kgf
moment of inertia	2.0 g·cm ²
starting torque	2 mN·m typ.
max rotational speed	12000 r/min (simultaneous), 7000 r/min (continuous)
shock resistance	50G, 3 axes, 3 reps
vibration resistance	5~500 Hz, 1.52mm, 2 hrs
weight	570 g

ENVIRONMENTAL SPECIFICATIONS

operating temp	-10° to +70° C
storage temp	-25° to +80° C
humidity	95% RH max., no condensation

ORDERING INSTRUCTIONS

MAS60-XXXX-XX

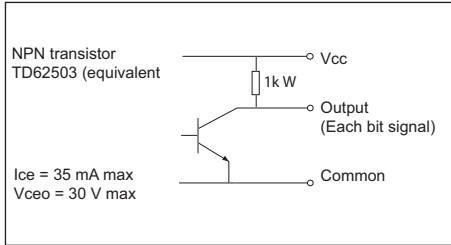


PART NUMBER: MAS60

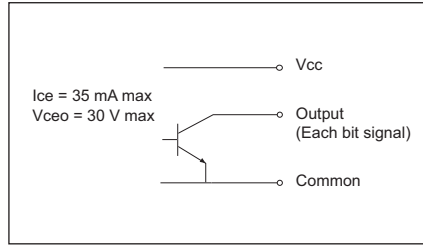
DESCRIPTION: absolute encoder

OUTPUT CIRCUIT DIAGRAMS

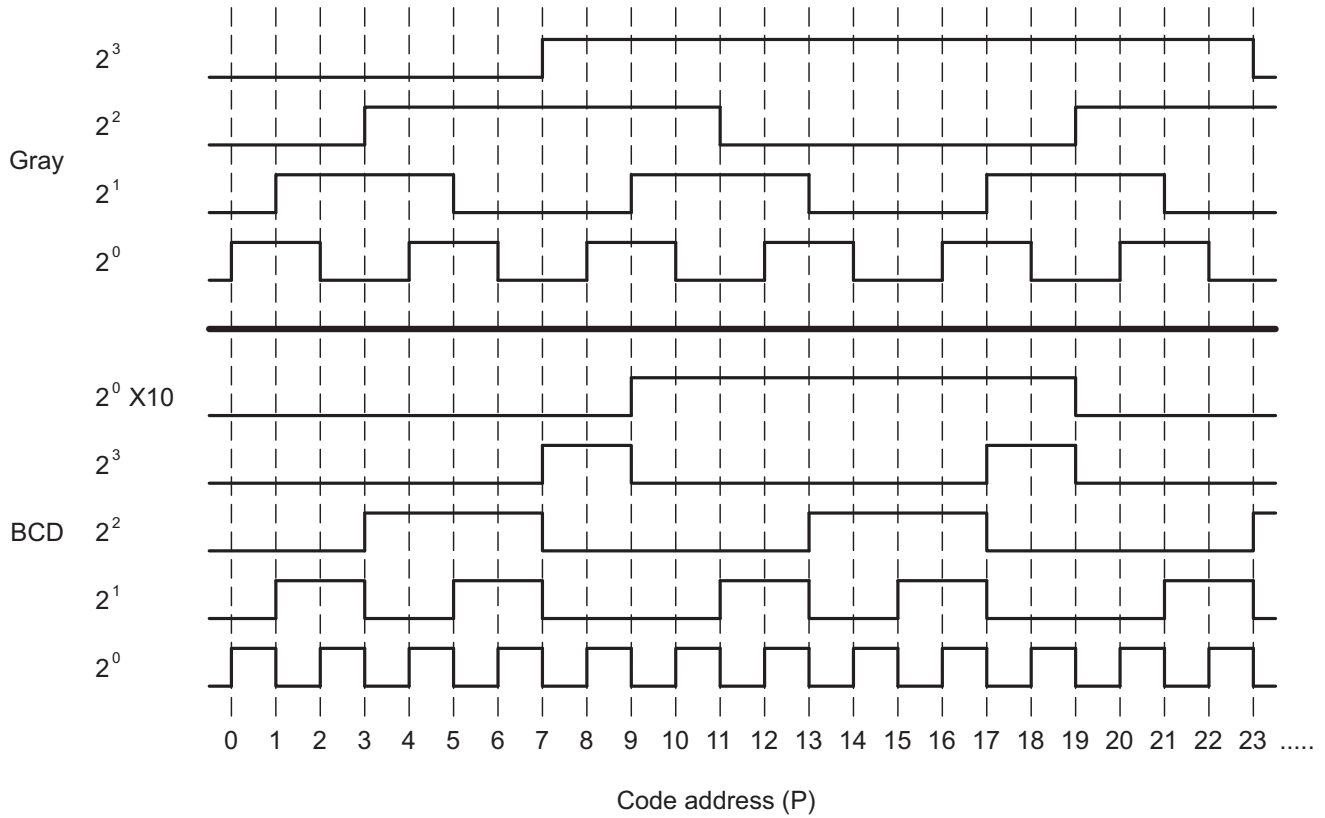
Voltage Output(standard type)



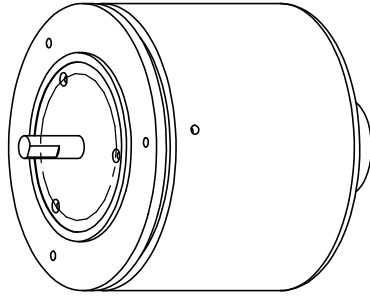
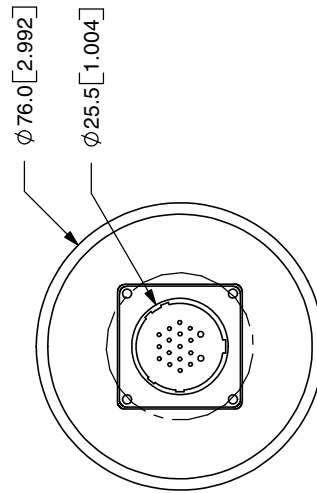
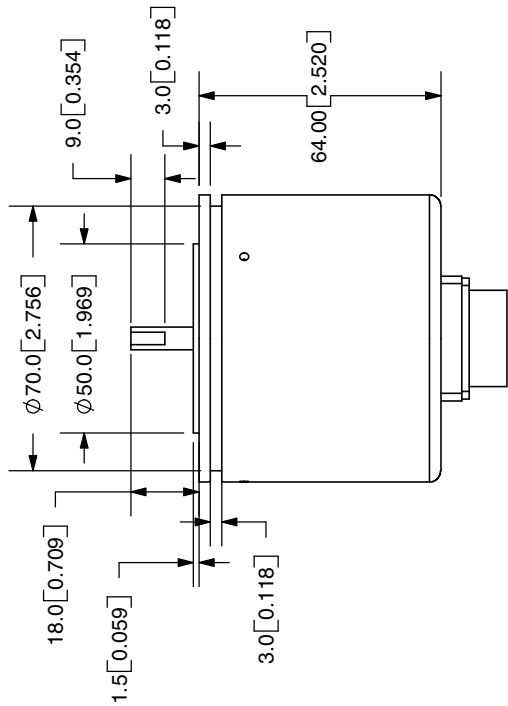
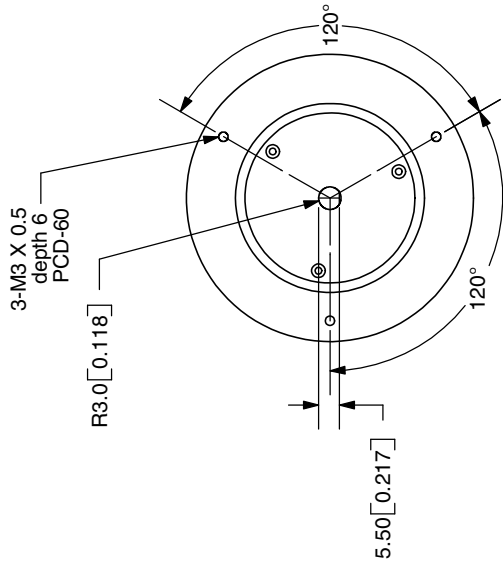
Open collector output



OUTPUT CODE



REV.	DESCRIPTION	DATE
A	NEW DRAWING	7/14/2008



TOLERANCE:
±0.3mm UNLESS OTHERWISE
SPECIFIED



CUI INC

20050 SW 112th Ave.
Tualatin, OR 97062
Phone: 503-612-2300
800-275-4899
Fax: 503-612-2383
Website: www.cui.com

TITLE:	Incremental Encoder	REV:	A
PART NO.	MAS60	UNITS:	MM [INCHES]
DRAWN BY:	JMS	APPROVED BY:	
		SCALE:	1:2

Cable Color	Brown	Brown/Black	Orange	Orange/Black	Yellow	Yellow/Black	Green	Green/Black
Output Type	2 ⁰	2 ¹	2 ²	2 ³	2 ⁴	2 ⁵	2 ⁶	2 ⁷
Cable Color	Blue	Blue/Black	Purple	Purple/Black	Red/Black	Red	Black	Black
Output Type	2 ⁸	2 ⁹	NC	NC	NC	Power	0V	0V

COPYRIGHT 2008
BY CUI INC.

PC File Name
MAS60