



PART NUMBER: MES40-5000PST

DESCRIPTION: incremental encoder

ELECTRICAL SPECIFICATIONS

output waveform	Square Wave
output signals	A, B, Z phase
current consumption	≤40 mA
frequency response	0~50 KHz X (by multiplication) Voltage Output 100KHz Open collector
output phase difference	See output waveform
supply voltage	5 V dc ± 10% (line driver output only), 5~12 V dc ±10% (TTL voltage output only), 24 V dc ± 10% (open collector output only)
output resolution (ppr)	10000, 20000, 40000, 80000

MECHANICAL SPECIFICATIONS

max shaft load, radial:	49N (5kgf)
axial:	29.4N (3kgf)
starting torque	2 x 10 ⁻³ N·m (20 gf·cm) 5 x 10 ⁻³ N·m (50 gf·cm)
max rotational speed	6000 RPM
shock resistance	500 m/s ² (50G), 3 times each on XYZ
vibration proof	55 Hz, double amplitude 1.5mm, 2 hours each on XYZ
weight	200g (with 1m cable)
cable	4.2mm outside diameter, 5 core vinyl wire insulated shield cable (1m)

ENVIRONMENTAL SPECIFICATIONS

operating temp	0° to +50° C
storage temp	-20° to +80° C
humidity	RH 35%~90% non collecting

ORDERING INSTRUCTIONS

MES40 - 5000PSTXXX

Resolution (PPR):
 2 = 5000 X 2 (10,000 PPR)
 4 = 5000 X 4 (20,000 PPR)
 8 = 5000 X 8 (40,000 PPR)
 16 = 5000 X 16 (80,000 PPR)

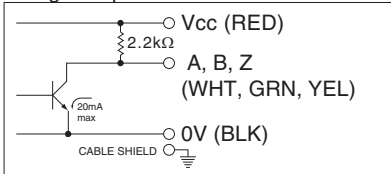
Output:
 "no entry" = TTL voltage output
 C = Open collector output
 E = Line driver output

PART NUMBER: MES40-5000PST

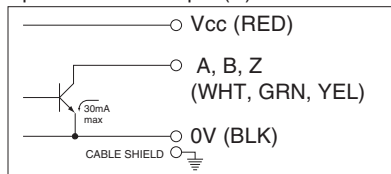
DESCRIPTION: incremental encoder

CIRCUIT CONNECTIONS

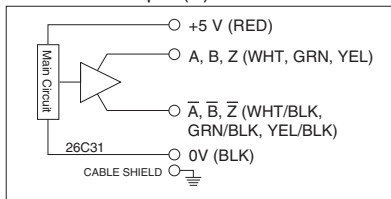
Voltage Output



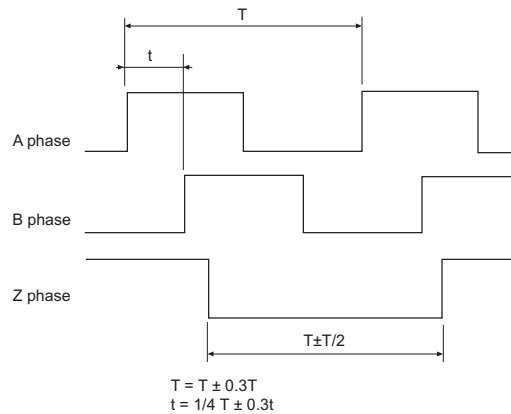
Open Collector Output (C)



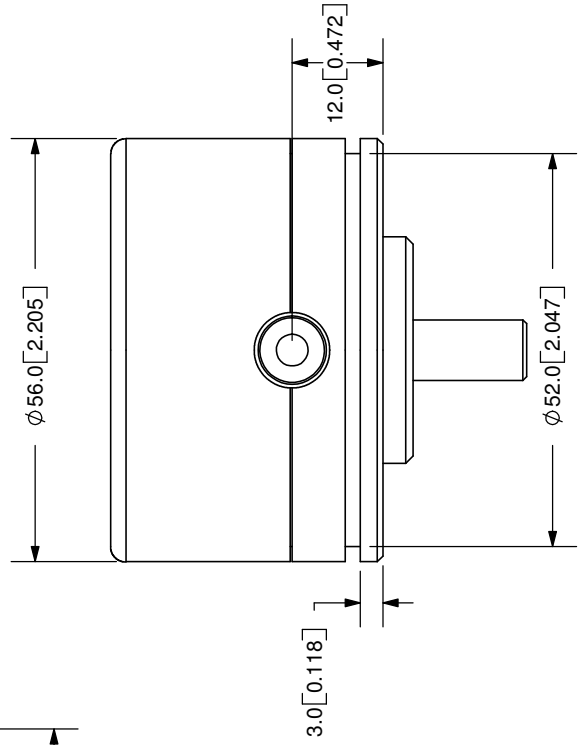
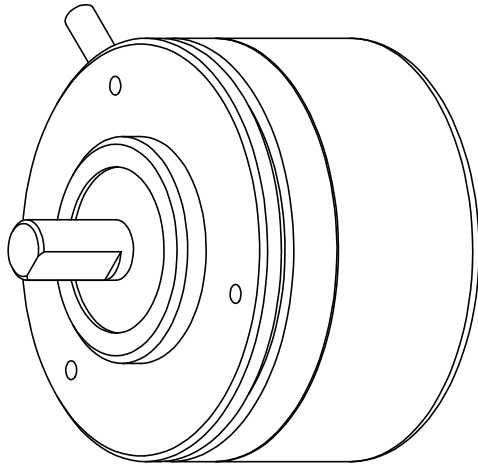
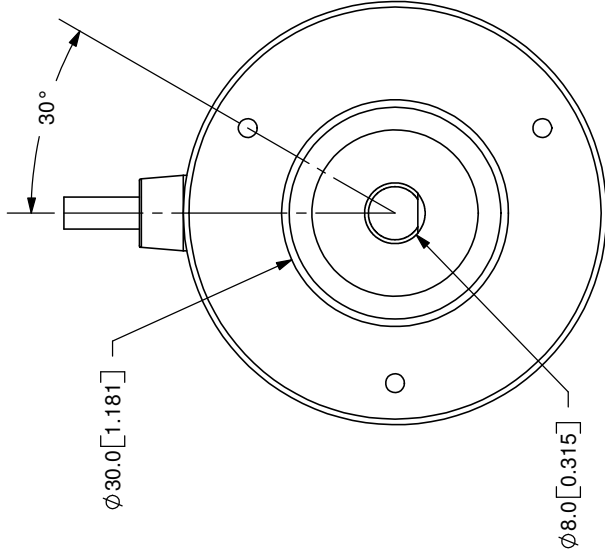
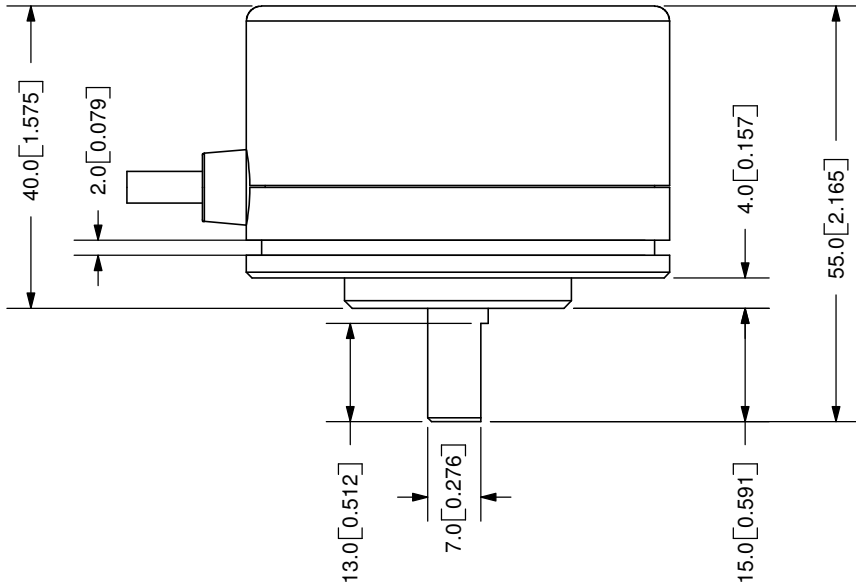
Line Driver Output (E)



OUTPUT WAVEFORM



REV.	DESCRIPTION	DATE
A	NEW DRAWING	7/30/2007



TOLERANCE:
 ±0.3mm UNLESS OTHERWISE
 SPECIFIED



CUI INC

20050 SW 112th Ave.
 Tualatin, OR 97062
 Phone: 503-612-2300
 800-275-4899
 Fax: 503-612-2383
 Website: www.cui.com

TITLE: Incremental Encoder REV: A

PART NO: MES40 UNITS: MM [INCHES]

DRAWN BY: JMS APPROVED BY: SCALE: 1:1

Cable Color	Red	White	Green	Yellow	Black	-	-	-
Output Type	Power	A-Phase	B-Phase	Z-Phase	0V	-	-	-

COPYRIGHT 2007
 BY CUI INC.

PC FILE NAME: MES40