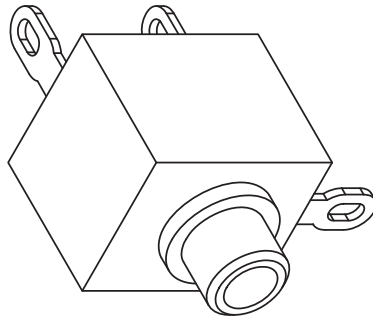
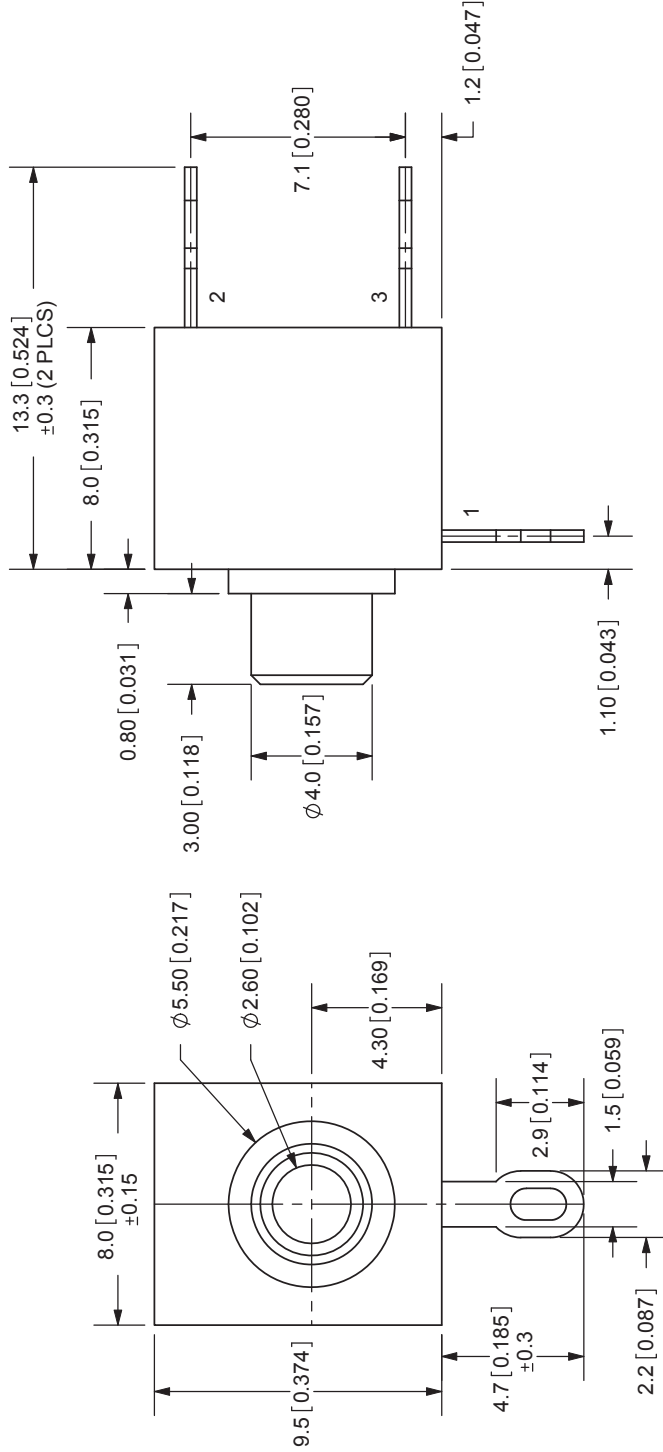


REV. A	DESCRIPTION NEW DRAWING	DATE 2/22/2008
-----------	----------------------------	-------------------



SCALE: 3:1



TOLERANCE:
X.X ±0.2mm
X.XX ±0.1mm
X.XXX ±0.05mm

<p>20050 SW 112th Ave. Tualatin, OR 97062 Phone: 503-612-2300 800-275-4899 Fax: 503-612-2383 Website: www.cui.com</p>	
TITLE: 2.5mm AUDIO JACK-MONO	REV: A
PART NO: MJ-2507N	UNITS: MM [INCHES]
DRAWN BY: ZRJ	APPROVED BY:
	SCALE: 4:1

SPECIFICATIONS:
 RATING: 12V DC @ 1A
 CONTACT RESISTANCE: 30m OHMS MAX
 INSULATION RESISTANCE: 50M OHMS MIN: 100V DC
 VOLTAGE WITHSTAND: 500V AC R.M.S. FOR 1 MINUTE
 LIFE: 5,000 CYCLES
 OPERATING TEMP: -25° ~ +85°C

TERMINAL	MATERIAL	PLATING
TERMINAL 1	Brass	
TERMINAL 2	Copper Alloy	
TERMINAL 3	Brass	
BUSHING	Brass	
BODY	PBT	

MODEL NO.	MJ-2507N
DIA.	NON-THREAD Ø4.0
SCHEMATIC	