



MODEL: PJ-005A **DESCRIPTION:** DC POWER JACK

FEATURES

- 2.0 mm center pin
- mounting hardware includes nut and washer
- panel mount



SPECIFICATIONS

| parameter | conditions/description | min | typ | max | units |
|----------------------------|---------------------------------------|-----|-------|-----|--------|
| rated input voltage | | | 24 | | Vdc |
| rated input current | | | | 5 | A |
| contact resistance | | | | 30 | mΩ |
| insulation resistance | at 500 Vdc | 100 | | | MΩ |
| voltage withstand | at 50/60Hz for 1 minute | | | 500 | Vac |
| insertion/withdrawal force | | 0.3 | | 3 | kg |
| operating temperature | | -40 | | 70 | °C |
| life | | | 5,000 | | cycles |
| flammability rating | plastic: UL94V-0 insulator: UL94HB | | | | |
| RoHS | 2011/65/EU | | | | |

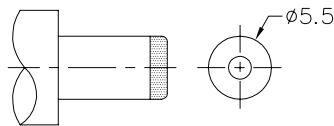
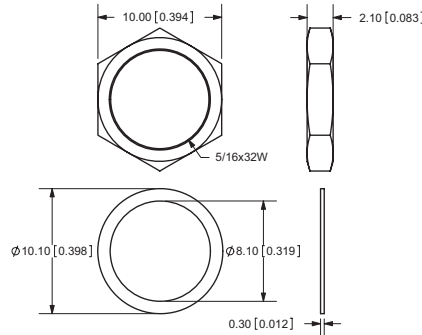
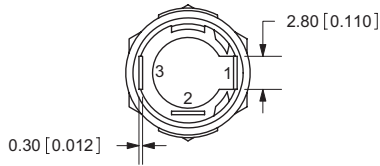
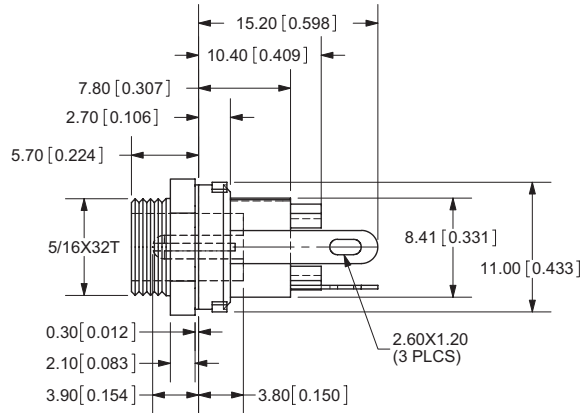
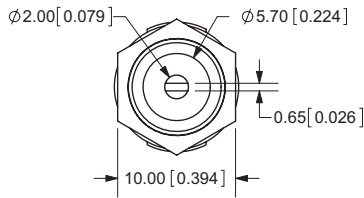
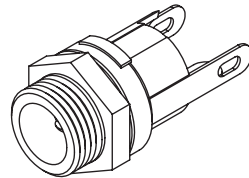
SOLDERABILITY

| parameter | conditions/description | min | typ | max | units |
|----------------|------------------------|-----|-----|-----|-------|
| hand soldering | for 3~5 seconds | 295 | 300 | 305 | °C |

MECHANICAL DRAWING

units: mm[inches]
tolerance: ±0.3mm

| | MATERIAL | PLATING |
|------------|----------------------|---------|
| center pin | brass | nickel |
| terminal 1 | brass | silver |
| terminal 2 | phosphor bronze | silver |
| terminal 3 | brass | silver |
| bushing | brass | nickel |
| nut | brass | nickel |
| washer | steel | nickel |
| insulator | red vulcanized fiber | |
| plastic | PBT | |



MATING PLUG
Jack Insertion Depth: 9.0 mm

| | |
|------------|---------|
| SCHEMATIC | |
| Model | PJ-005A |
| Center Pin | Ø2.0 mm |

Note: 1. All specifications measured at 10~35°C, humidity at 45~85%, under standard atmospheric pressure, unless otherwise noted.

REVISION HISTORY

| rev. | description | date |
|------|------------------------------------|------------|
| 1.0 | initial release | 01/30/2006 |
| 1.01 | applied new spec template | 05/06/2011 |
| 1.02 | updated voltage and current rating | 07/09/2014 |
| 1.03 | removed slot from threaded barrel | 09/01/2017 |

The revision history provided is for informational purposes only and is believed to be accurate.



Headquarters
20050 SW 112th Ave.
Tualatin, OR 97062
800.275.4899

Fax 503.612.2383
cui.com
techsupport@cui.com

CUI offers a one (1) year limited warranty. Complete warranty information is listed on our website.

CUI reserves the right to make changes to the product at any time without notice. Information provided by CUI is believed to be accurate and reliable. However, no responsibility is assumed by CUI for its use, nor for any infringements of patents or other rights of third parties which may result from its use.

CUI products are not authorized or warranted for use as critical components in equipment that requires an extremely high level of reliability. A critical component is any component of a life support device or system whose failure to perform can be reasonably expected to cause the failure of the life support device or system, or to affect its safety or effectiveness.