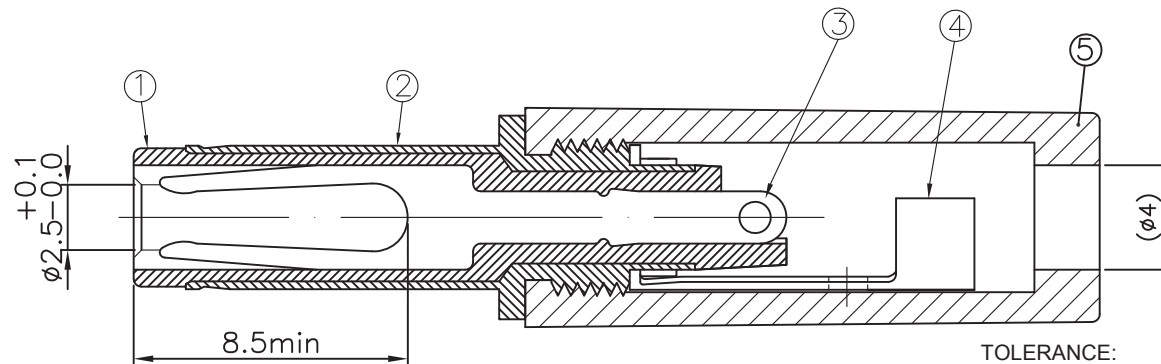
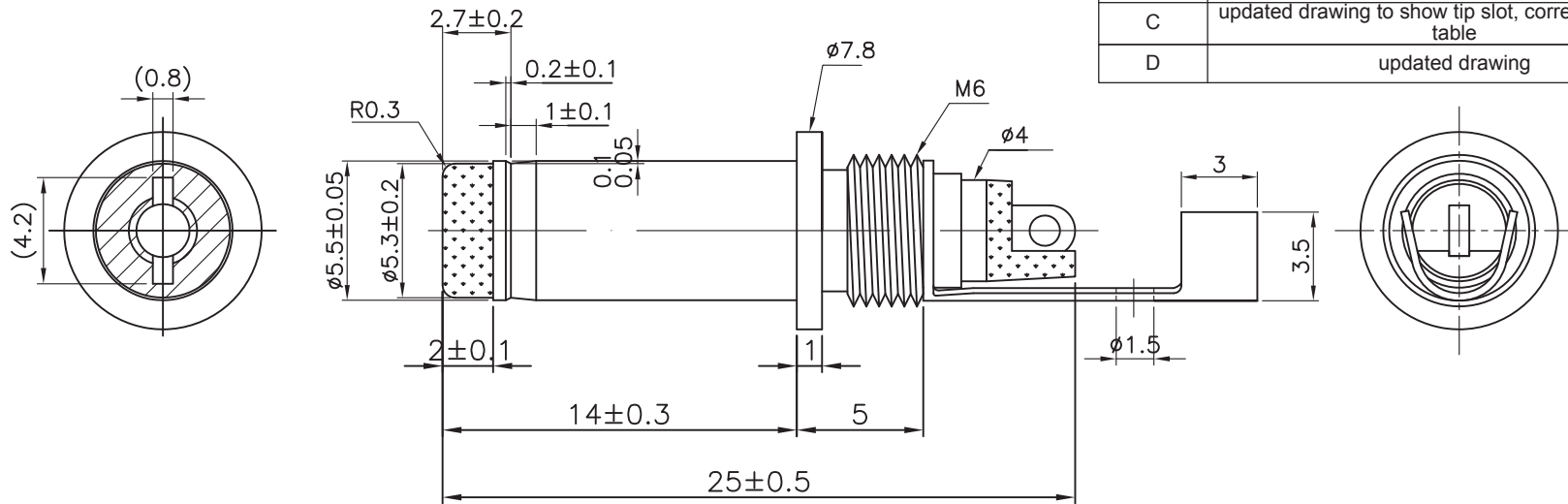
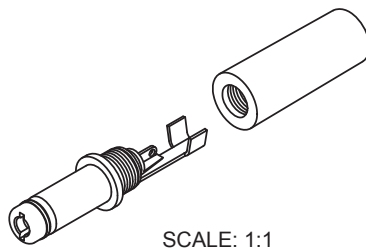


REV.	DESCRIPTION	DATE
A	NEW DRAWING	12/30/2009
B	operating temp added	3/25/2010
C	updated drawing to show tip slot, corrected material table	5/25/2010
D	updated drawing	5/26/2016



TOLERANCE:
±0.3mm UNLESS OTHERWISE
SPECIFIED



SPECIFICATIONS:

RATING: 16V DC @ 8A
 CONTACT RESISTANCE: 30m OHMS MAX
 INSULATION RESISTANCE: 100M OHMS MIN: 500V DC
 VOLTAGE WITHSTAND: 500V AC R.M.S. FOR 1 MINUTE
 OPERATING TEMP: -25° ~ +70°C
 LIFE: 5,000 CYCLES



20050 SW 112th Ave.
 Tualatin, OR 97062
 Phone: 503-612-2300
 800-275-4899
 Fax: 503-612-2383
 Website: www.cui.com

	MATERIAL	PLATING
①	TIP INSULATOR	PBT
②	PIN	Brass
③	BARREL	P-Bronze
④	TERMINALS	Brass
⑤	COVER	ABS

TITLE: DC POWER JACK	REV: A
PART NO. PP3-002BH	UNITS: MM [INCHES]
DRAWN BY:	APPROVED BY:
	SCALE: 4:1

PC FILE NAME:
PP3-002BH

COPYRIGHT 2016 BY CUI INC.