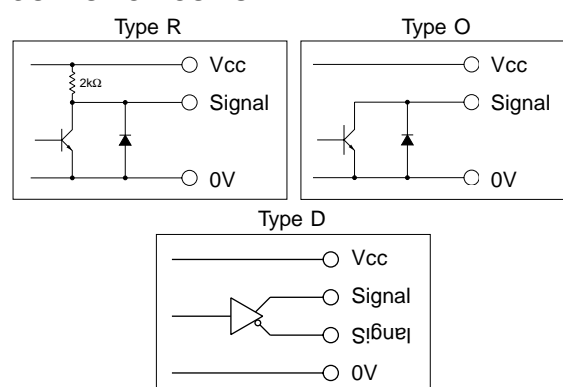


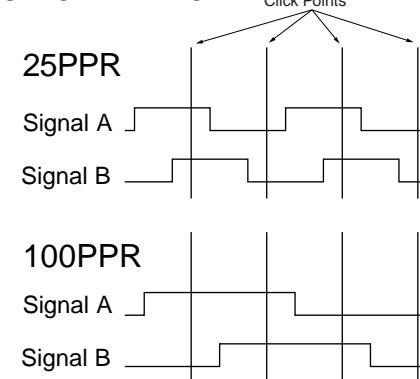
SPECIFICATIONS

TYPE		R	O	D
Supply Voltage		5.0 VDC ±10%	12.0 VDC ±10%	10.8~26.4 VDC
Current		80mA max	60mA max	60mA max
Output Voltage	H	Vcc -0.5V		≥ 2.0V
	L	≤ 0.4V		
Sink Current		50mA max @ 30VDC		
Resolution		25, 100PPR		
Freq. Response		500Hz		

OUTPUT CIRCUITS



OUTPUT WAVEFORM



MECHANICAL

1. Max Shaft Load, radial: 2 kgf
axial: 2 kgf
2. Click Torque: Soft: 81~162 gf•cm
3. Rotational Life: 1 x 10⁷ cycles

ENVIRONMENTAL

1. Operating Temp: -10° to +60° C
2. Storage Temp: -20° to +85° C
3. Humidity: ≤85% RH, no condensation
4. Vibration: 10~55 Hz, 1.5 mm, 2 hrs
5. Shock: 50G, 11ms, 3 axes, 3 reps

Ordering Information

RE45BA□□□C

Resolution:
1 = 100PPR
2 = 25PPR

Input Voltage:
5 = 5VDC
2 = 12/24VDC

Output Type:
R = TTL Voltage
O = Open Collector
D = Diff Driver

		CUI Inc. 9615 SW Allen Blvd. #103 Beaverton, OR 97005 Tel: 503/643-4899 FAX: 503/643-6129	
		DRAWN BY JAS	UPDATED 04/08/04
PART NO. RE45BAXXC			REV. A