



**PART NUMBER:** SEH17

**DESCRIPTION:** sine wave encoder

**ELECTRICAL SPECIFICATIONS**

output waveform	Sine Wave
output signals	A phase, A,B phase
current consumption	≤30 mA
frequency response	0~20 KHz
output phase difference	A, B phase difference 90° ± 45°
supply voltage	5 V dc ± 10%
output resolution (ppr)	100, 200, 300, (360) (single phase only)

**MECHANICAL SPECIFICATIONS**

max shaft load, radial:	1.9Nm (200gf) (2); 4.9Nm (500gf) (4)
axial:	1.9Nm (200gf) (2); 4.9Nm (500gf) (4)
starting torque	0.3 x 10 <sup>-3</sup> N·m (3 gf·cm)
max rotational speed	6000 RPM
shock resistance	500m/s <sup>2</sup> (50G), 11ms, 3 times each on XYZ
vibration proof	55 Hz, 1.5mm, 2 hours each on XYZ
weight	20g (with 130mm cable)
cable	Vinyl wire (AWG28) 130mm

**ENVIRONMENTAL SPECIFICATIONS**

operatingtemp	0° to +50° C
storage temp	-20° to +80° C
humidity	90% max. non collecting

**ORDERING INSTRUCTIONS**

SEH17 - XXXXX

Resolution (PPR):

- 100 = 100 PPR
- 200 = 200 PPR
- 300 = 300 PPR
- 360 = 360 PPR

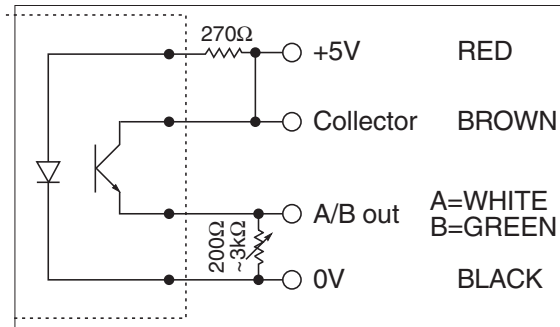
Output Phase:

- A = Single Phase
- AB = Two-Phase

**PART NUMBER:** SEH-17

**DESCRIPTION:** sine wave encoder

### CIRCUIT CONNECTIONS



### OUTPUT WAVEFORM

Clockwise rotation viewed from front

