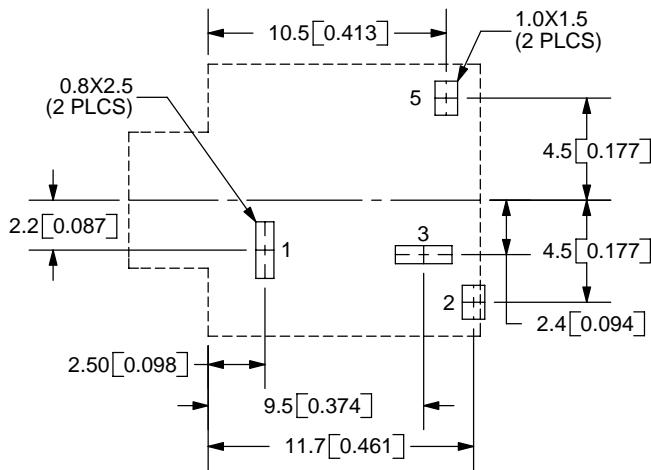
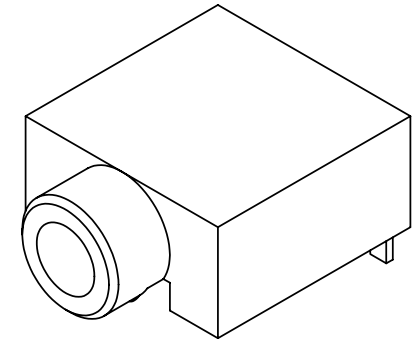
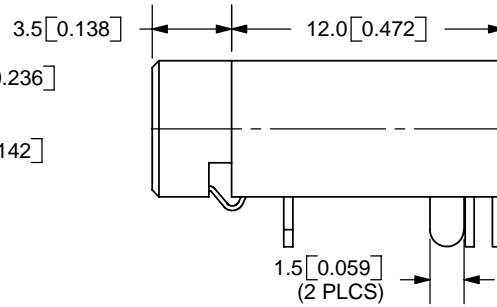
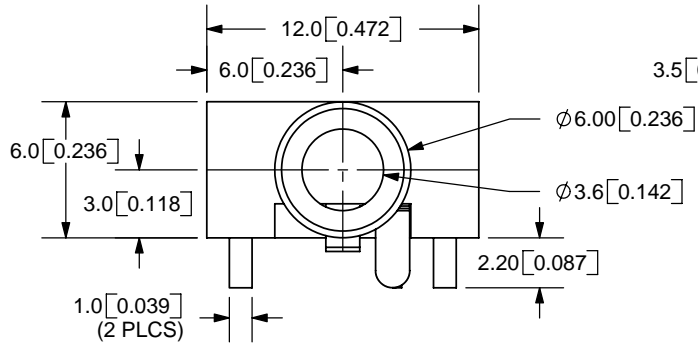
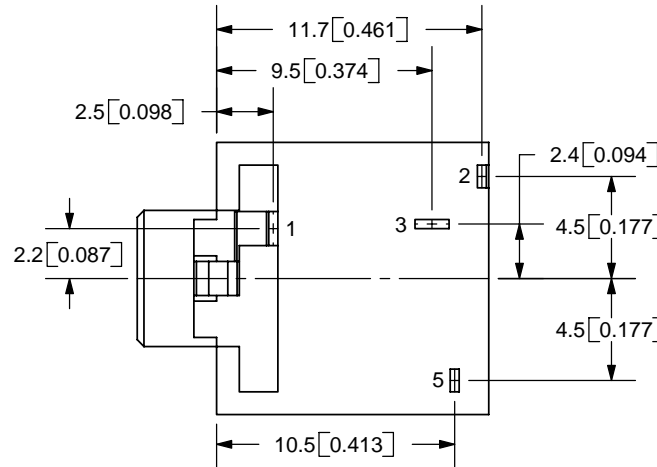


REV.	DESCRIPTION	DATE
A	NEW DRAWING	1/3/2006
B	Updated PCB layout	4/19/2006



PCB LAYOUT
TOP VIEW



TOLERANCE:
±0.3mm UNLESS OTHERWISE
SPECIFIED



MODEL NO.	SJ-3504
SCHMATIC	

SPECIFICATIONS:
 RATING: 12V DC @ 1A
 CONTACT RESISTANCE: 10 ~ 20m OHMS MAX
 INSULATION RESISTANCE: 50M OHMS MIN: 500V DC
 VOLTAGE WITHSTAND: 250V AC R.M.S. FOR 1 MINUTE
 LIFE: 10,000 CYCLES

	MATERIAL	PLATING
TERMINAL 1	Brass	Silver
TERMINAL 2	Copper Titanium	Silver
TERMINAL 3	Brass	Silver
TERMINAL 5	Copper Titanium	Silver
HOUSING	PBT	



9615 SW Allen Blvd., Ste. 103
 Beaverton, OR 97005
 Phone: 503-643-4899
 800-275-4899
 Fax: 503-372-1266
 Website: www.cui.com

TITLE: 3.5mm AUDIO JACK-STEREO	REV: B
PART NO. SJ-3504	UNITS: MM [INCHES]
DRAWN BY: ZRJ	APPROVED BY:
	SCALE: 3:1