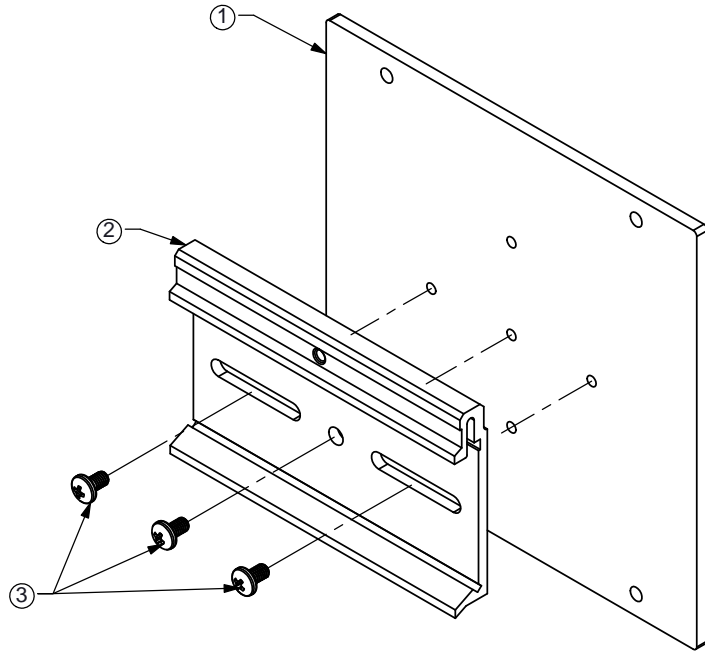
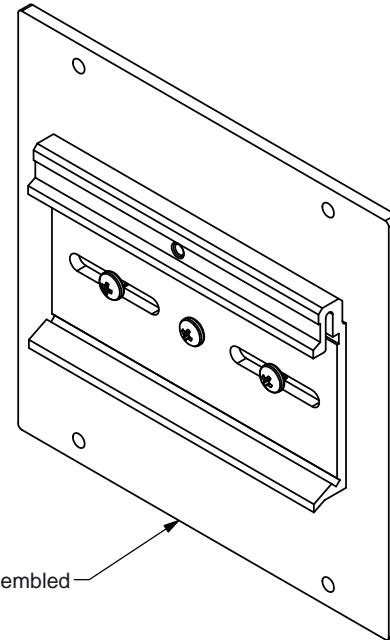


| | | |
|------|-------------|-----------|
| REV. | DESCRIPTION | DATE |
| A | NEW DRAWING | 5/20/2013 |

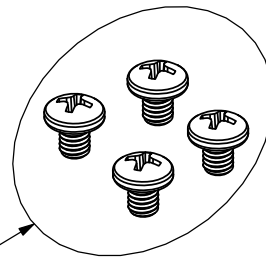


EXPLODED VIEW



Shipped Assembled

ASSEMBLY VIEW



④ Shipped Loose



CUI INC

20050 SW 112th Ave.
Tualatin, OR 97062
Phone: 503-612-2300
800-275-4899
Fax: 503-612-2383
Website: www.cui.com

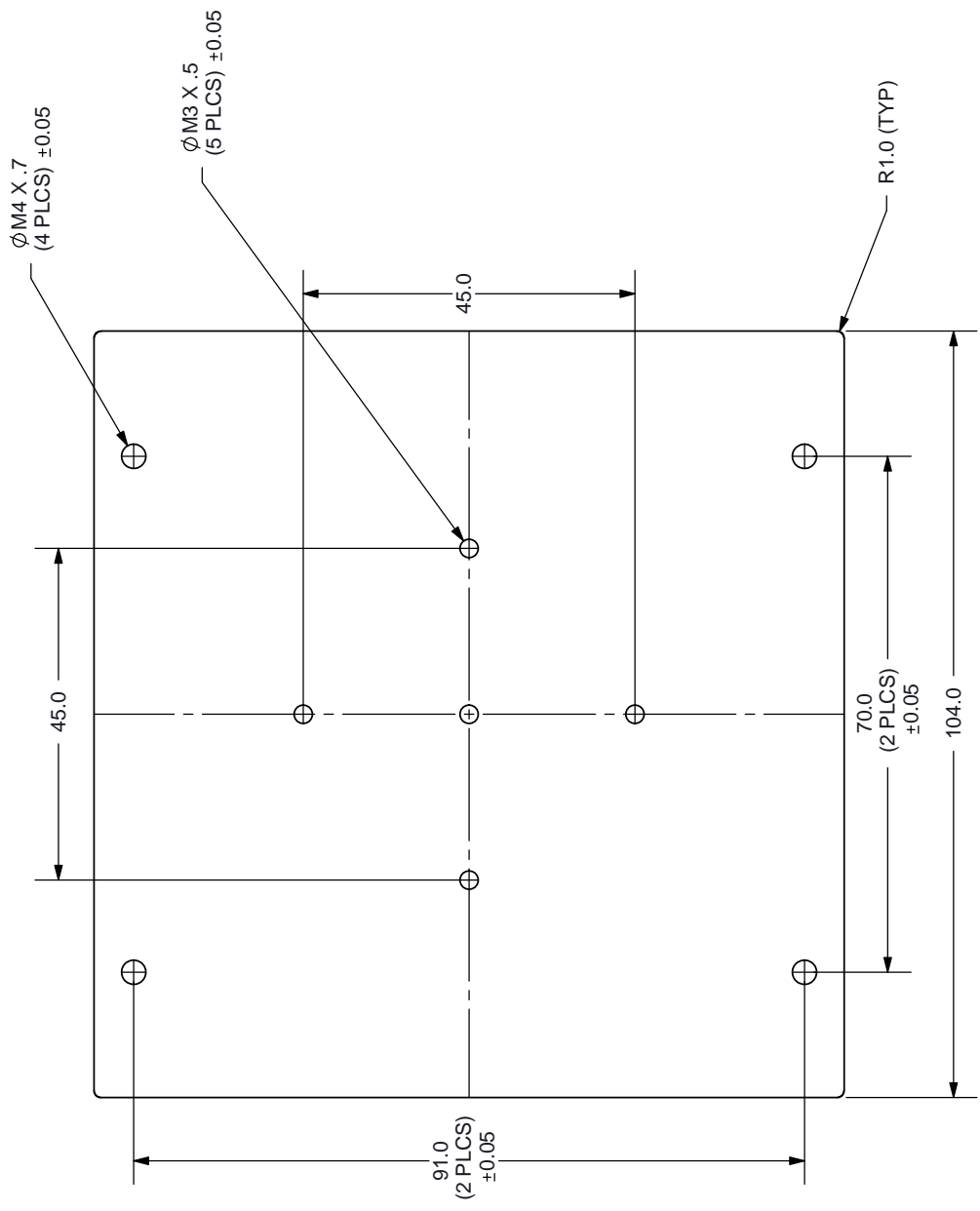
| ITEM | DESCRIPTION | QUANTITY | TITLE: DIN RAIL MOUNTING BRACKET KIT | | REV: A |
|------|-------------|----------|--------------------------------------|--|--------------|
| 1 | VHK-DRA | 1 | PART NO. VHK-DIN | | UNITS: MM |
| 2 | VDRP-02 | 1 | | | |
| 3 | M3X6 SCREWS | 3 | DRAWN BY: RDS | | APPROVED BY: |
| 4 | M4X5 SCREWS | 4 | | | |

PC FILE NAME:
VHK-DIN

COPYRIGHT 2013 BY CUI INC.

REV. A

DESCRIP NEW DRA



For more information, please visit the [Product page](#).

TOLERANCE: ±0.2mm UNLESS OTHERWISE SPECIFIED

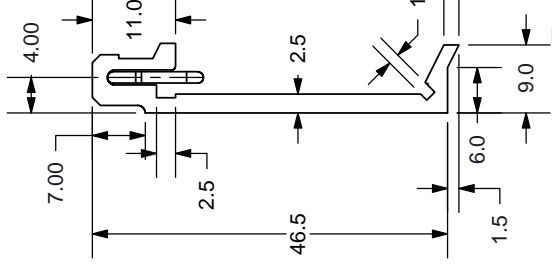
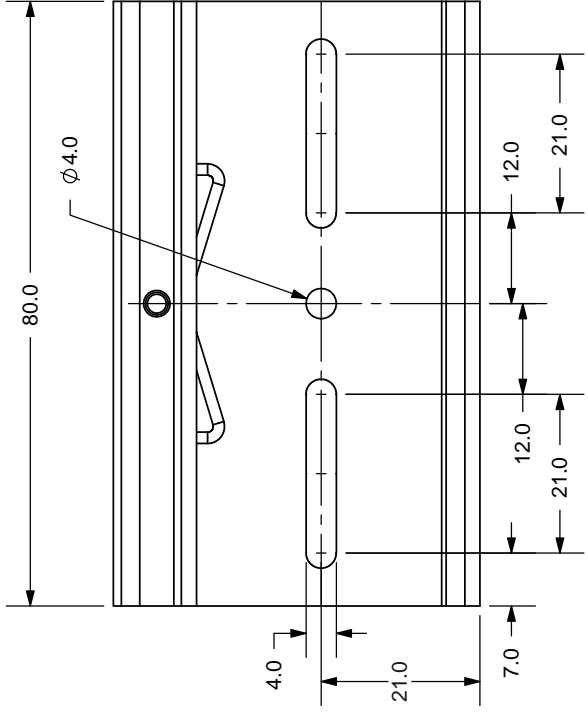


TITLE: MOUNTING
PART NO: VHK-DRA
DRAWN BY: RDS

PC FILE NAME:

COPYRIGHT 2013 BY CUJ INC.

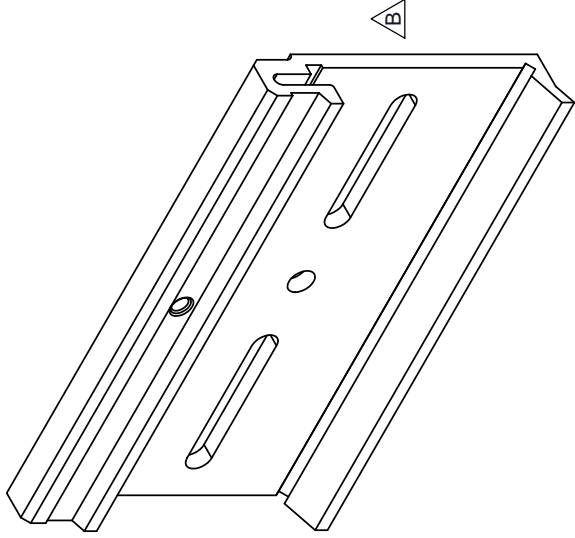
| | |
|------|--------|
| REV. | DESC |
| A | NEW I |
| B | update |



For more information, please visit the [Product page](#).

TOLERANCE: $\pm 0.3\text{mm}$ UNLESS SPECIFIED

MATERIAL: ALUMINUM



| | |
|-----------|-------------|
| TITLE: | DIN RAIL MC |
| PART NO.: | VDRP-02 |
| DRAWN BY: | RDS |

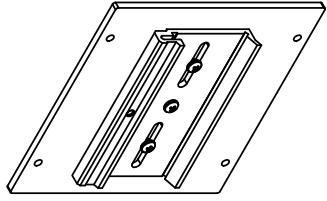
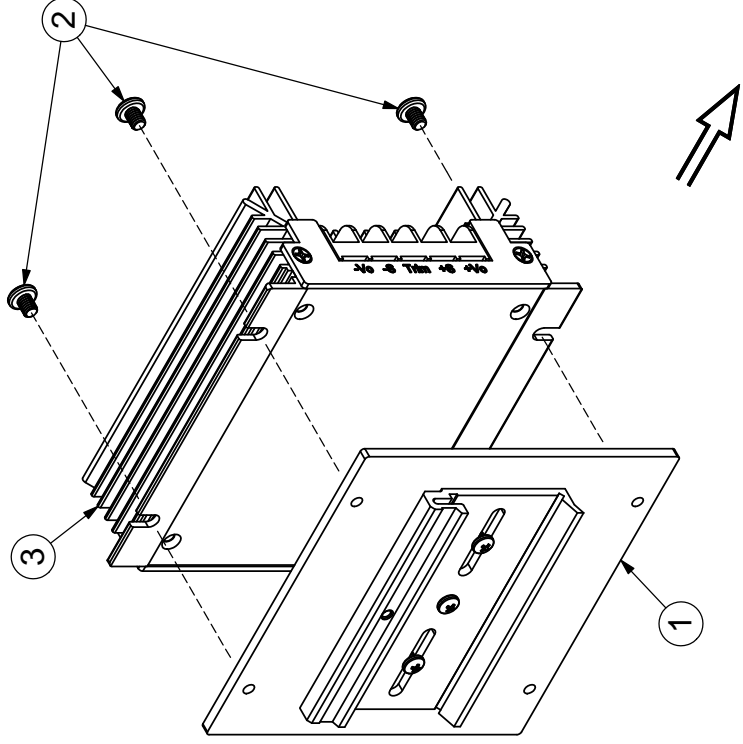
PC FILE NAME:

COPYRIGHT 2013 BY CUJ INC.

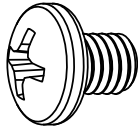
| | |
|------|------------|
| REV. | DESCRIP |
| A | NEW DRAW |
| B | updated dr |

For more information, please visit the [product page](#).

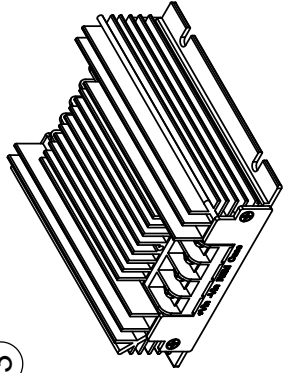
| | |
|-----------|----------------------|
| TITLE: | DIN RAIL ASSEMBLY |
| PART NO.: | VHK-DIN a |
| DRAWN BY: | RDS |



1
SUB-ASSEMBLY
(See page 1)
QTY: 1



2
M4X0.5
5mm length
LOOSE SCREWS
(See page 1)
QTY: 4



3
VHK CHASSIS
MOUNT DC-DC
CONVERTER
QTY: 1
(sold separately)

PC FILE NAME:

COPYRIGHT 2013 BY CUJ INC.