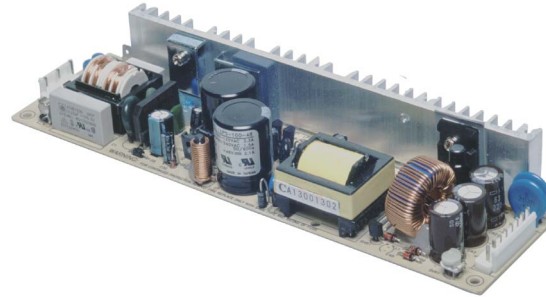


Features

- Low cost, high reliability
- 105°C output capacitor
- Universal AC input range
- High efficiency, low temperature rise
- Soft-start circuit, limiting AC surge current
- Short circuit, overload, over-voltage protected
- Compact size, light weight
- 100% full load burn-in test
- Built in EMI filter, low ripple noise
- Built in PFC circuit
- Power factor: 0.98 typ.

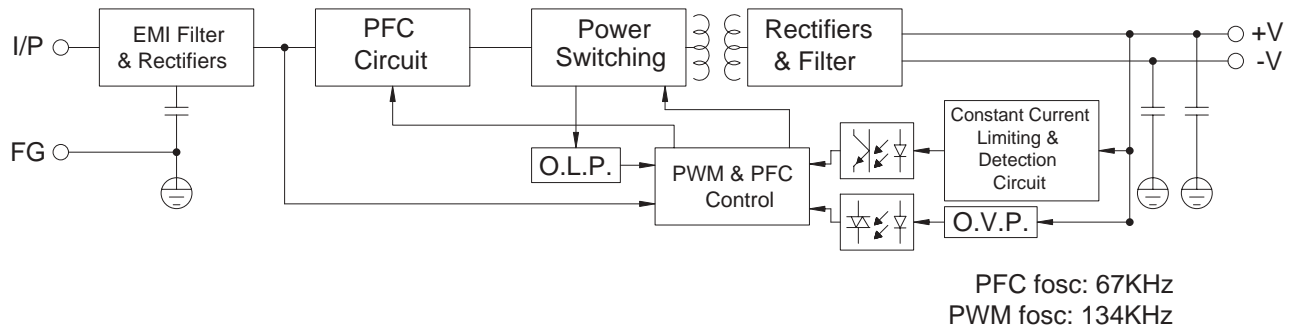


DC output voltage	3.3V
Output V. tolerance	±2%
Output rated current	20A
Output current range	0-20A
Ripple & noise	100mVp-p
Line regulation	±0.5%
Load regulation	±1%
DC output power	66W
Efficiency	69%
DC voltage adj.	+10, -5%
Input voltage range	85~264VAC, 47~63Hz; 120~370VDC
Inrush current	cold start 40A//230V
Leakage current	<2mA/240VAC
Overload protection	105%~150% type: continuous current limiting, auto recovery
Over voltage protection	115%~135% type: shutdown, RE power on
Over temp. protection	---
Temperature coefficient	±0.05% / °C (0~50°C)
Set up, rise, hold up time	600ms, 30ms, 20ms/230VAC; 1.2s, 30ms, 20ms/115VAC
Power factor	PF>0.95/230VAC, PF>0.98/115VAC
Vibration	10~500Hz, 2G 10min./1cycle (1 hour each axes)
Withstand voltage	I/P-O/P: 3KVAC, I/P-FG: 1.5KVAC, O/P-FG: 0.5KVAC, for 1 min.
Isolation resistance	I/P-O/P, I/P-FG, O/P-FG:500VDC / 100M Ohms min.
Working temp., humidity	-10°C~+60% (refer to output derating curve), 20%-90% RH
Storage temp., humidity	-20°C~+85°C, 10%~95% RH
Dimensions	8.74x2.44x1.26 inches (222x62x32mm)
Weight	1.12lbs (0.51Kgs)
Safety standards	UL60950, TUV EN60950
EMC standards	CISPR22 (EN55022) CLASS B, EN61000-3-2,3; EN61000-4-2,3,4,5,6,8,11; ENV50204

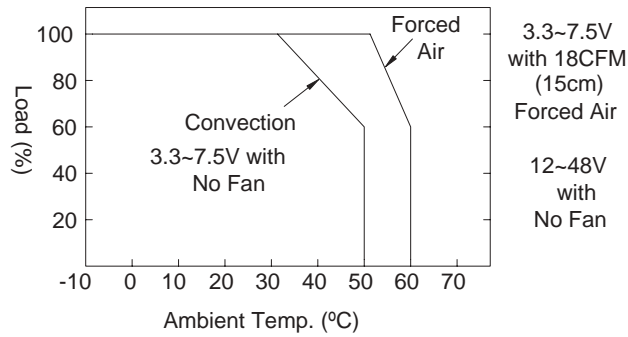
- Notes:
1. All parameters are specified at 230VAC input, rated load, 25°C 70% RH ambient
 2. Tolerance includes set up tolerance, line regulation, load regulation
 3. Ripple & noise are measured at 20MHz by using a 12" twisted pair terminated with a 0.1uF & 47 uF capacitor
 4. Line regulation is measured from low line to high line at rated load
 5. Load regulation is measure from 0% to 100% rated load

*V-Infinity reserves the right to make changes to its products or to discontinue any product or service without notice, and to advise customers to verify the most up-to-date product information before placing orders. V-Infinity assumes no liability or responsibility for customer's applications using V-Infinity products other than repair or replacing (at V-I's option) V-Infinity products not meeting V-I's published specifications. Nothing will be covered outside of standard product warranty.

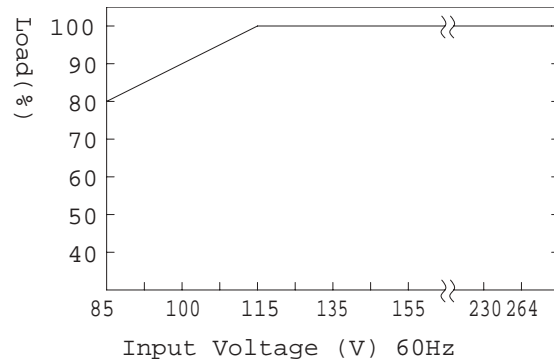
Block Diagram



Output Derating



Static Characteristics



Dimensions (mm)

Terminal Pin No. Assignment

CN1: JST B5P-VH
Pin 1,3,5: AC Input
CN2: JST B8P-VH
Pin: 1,2,3,4: DC Output -V
Pin: 5,6,7,8: DC Output +V

Mating Connectors

CN1,2 Mating connector type
JST VHR Series or equivalent with
JST SVH-21T-1.1 or equivalent
crimp terminals.

