

**V-INFINITY**
a division of CUI INC

date 09/2010

page 1 of 8

SERIES: 40 W DESKTOP

DESCRIPTION: SWITCHING POWER SUPPLY

FEATURES

- universal AC input
- regulated output voltage
- short circuit, over load protection
- LED indicator for power on
- meets EISA / efficiency level IV regulations
- custom designs available



| MODEL | output voltage | | output current | | output wattage | ripple* | efficiency level | cord length (mm) |
|------------|-------------------|--|----------------|------------|----------------|-----------------|------------------|---------------------|
| | nominal (V dc) | | min (A) | max (A) | max (W) | max. (mVp-p) | | |
| ETS090400U | 9 | | 0 | 4 | 36 | 150 | IV | 1000 +150/-0 |
| ETS120416U | 12 | | 0 | 4.16 | 49.9 | 120 | IV | 1530 +150/-0 |
| ETS150270U | 15 | | 0 | 2.7 | 40.5 | 150 | IV | 1500 +150/-0 |
| ETS240170U | 24 | | 0 | 1.7 | 40.8 | 150 | IV | 1830 +150/-0 |

*at full load, 100 ~ 240 V ac input, measured at 20MHz bandwidth with a 10 uF electrolytic cap and a 0.1 uF ceramic cap on the output

PART NUMBER KEY**ETS120416U T C - PXXXX - SZ - CXX**Base Number
example of 12 V dc, 4.16 AAC Input Plug:
blank = IEC 320 C14 plug
T = IEC 320 C6 plugInput Cable:
C = included
blank = no cableDC Plug type:
see output plug options
on page 5Factory
DesignationReserved for custom
configurations



SERIES: 40 W DESKTOP

DESCRIPTION: SWITCHING POWER SUPPLY

INPUT

| parameter | conditions/description | min | nom | max | units |
|---------------------------|--|-----|-----|-----------|--------|
| rated input voltage | | 100 | | 240 | V ac |
| input voltage range | | 90 | | 255 | V ac |
| rated frequency | | 50 | | 60 | Hz |
| frequency range | | 47 | | 63 | Hz |
| rated input current | | | | 1.2 | A |
| inrush current | 115 V ac, full load, cold start, 25°C 230 V ac, full load, cold start, 25°C | | | 50 100 | A A |
| no load power consumption | 100 ~ 240 V ac input | | | 0.5 | W |

OUTPUT

| parameter | conditions/description | min | nom | max | units |
|--------------------------|-----------------------------------|------|-----|------|-------|
| line regulation | | | ±1 | | % |
| load regulation | | | ±5 | | % |
| over voltage protection | output shut down | 110% | | 150% | V dc |
| short circuit protection | output shut down and auto-restart | | | | |

SAFETY & EMI

| parameter | conditions/description | min | nom | max | units |
|-----------------------|--|-----|-----|--------------|--------------|
| HI-POT | input to output at 10 mA for 1 second | | | 1500 3000 | V ac V ac |
| insulation resistance | input to output at 500 V dc | 100 | | | MΩ |
| safety approvals | UL/cUL, CB (IEC60950-1), CE (GS/TUV EN60950-1) | | | | |
| EMI standard | FCC part 15 class B, CE (EN55022, EN55024) | | | | |
| leakage current | | | | 3.5 | mA |
| RoHS compliant | yes | | | | |

ENVIRONMENTAL

| parameter | conditions/description | min | nom | max | units |
|-----------------------|------------------------|-----|-----|-----|-------|
| operating temperature | | 0 | | 40 | °C |
| operating humidity | | 20 | | 80 | % |
| storage temperature | | -10 | | 70 | °C |
| storage humidity | | 10 | | 90 | % |



V-INFINITY
a division of CUI INC

date 09/2010

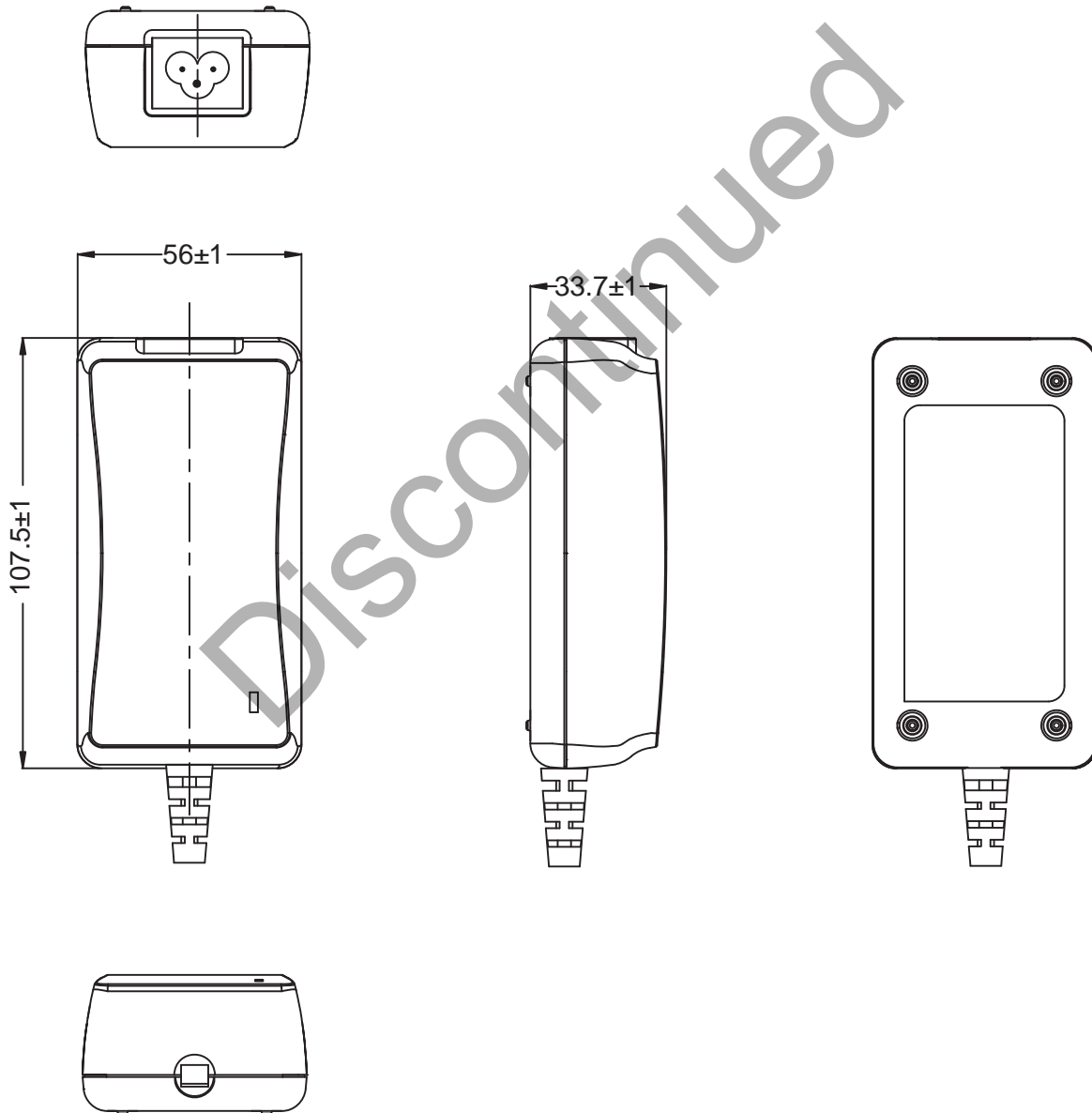
page 3 of 8

SERIES: 40 W DESKTOP

DESCRIPTION: SWITCHING POWER SUPPLY

MECHANICAL DRAWING (9, 15, 24 V models)

| | |
|-----------|----------------------------|
| case size | 107.5 L x 56 W x 33.7 H mm |
| | tolerance: ± 1 mm |



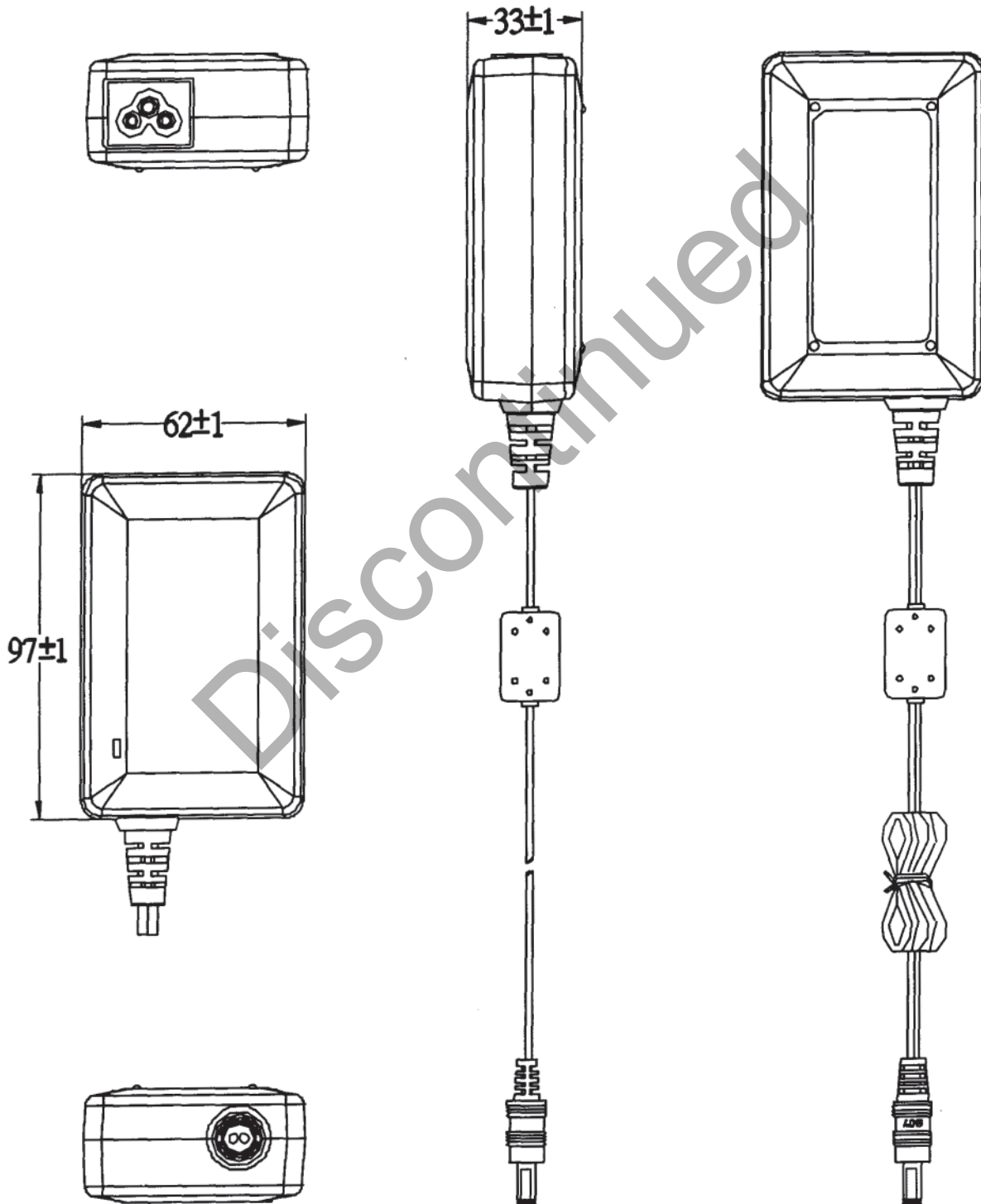


SERIES: 40 W DESKTOP

DESCRIPTION: SWITCHING POWER SUPPLY

MECHANICAL DRAWING (12 V model)

| | |
|-----------|-----------------------|
| case size | 97 L x 62 W x 33 H mm |
| | tolerance: ± 1 mm |

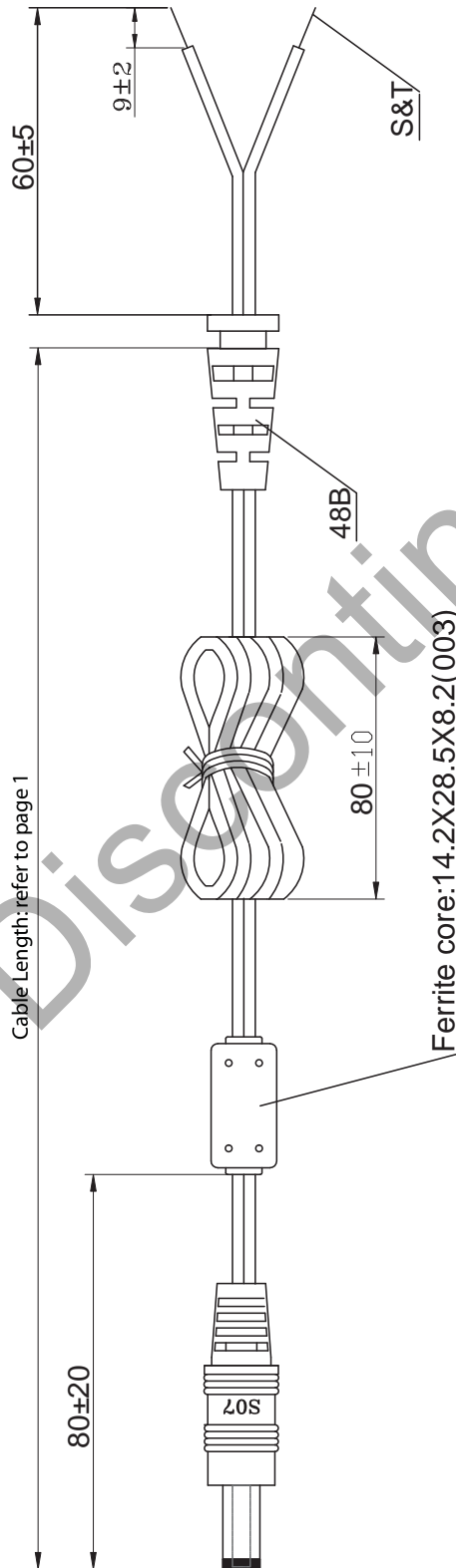




SERIES: 40 W DESKTOP

DESCRIPTION: SWITCHING POWER SUPPLY

DC CORD



Black wire, white stripe: Positive

| Cable Gauge | |
|-------------|--------|
| ETS090400 | 18 AWG |
| ETS120416 | 18 AWG |
| ETS150270 | 18 AWG |
| ETS240170 | 18 AWG |

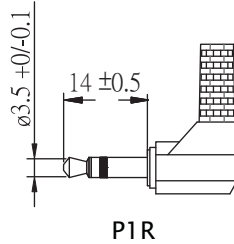
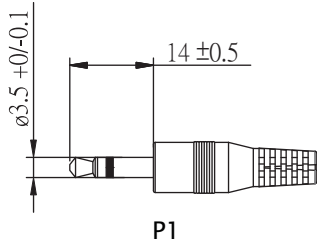


SERIES: 40 W DESKTOP

DESCRIPTION: SWITCHING POWER SUPPLY

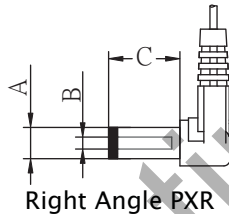
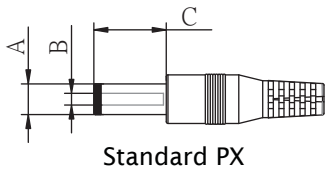
OUTPUT PLUG OPTIONS

3.5 mm Phono Plug



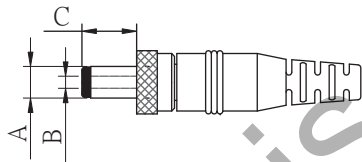
*Tip positive

Standard DC Plug



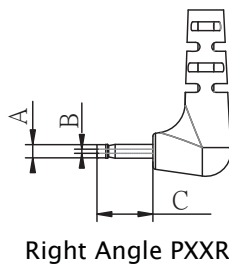
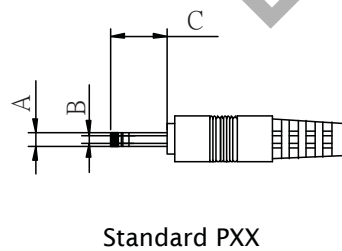
| | A | B | CU | nit |
|--------|-----|------|-----|-----|
| P5/P5R | 5.5 | 2.1 | 9.5 | mm |
| P6/P6R | 5.5 | 2.5 | 9.5 | mm |
| P7/P7R | 3.5 | 1.3 | 9.5 | mm |
| P8/P8R | 3.8 | 1.35 | 9.5 | mm |
| P9/P9R | 3.8 | 1.05 | 9.5 | mm |

Locking DC Plug

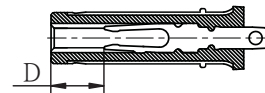


| | A | B | CU | nit |
|-----|-----|-----|-----|-----|
| P10 | 5.5 | 2.1 | 9.5 | mm |
| P11 | 5.5 | 2.5 | 9.5 | mm |

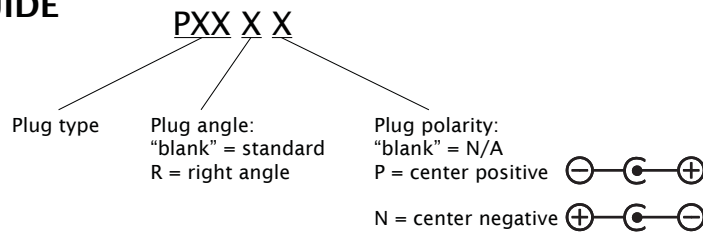
EIAJ Plugs



| | EIAJ | A | B | C | DU | nit |
|----------|--------|------|-----|-----|-----|-----|
| P12/P12R | EIAJ-1 | 2.35 | 0.7 | 9.5 | NA | mm |
| P13/P13R | EIAJ-2 | 4.0 | 1.7 | 9.5 | 5.0 | mm |
| P14/P14R | EIAJ-3 | 4.75 | 1.7 | 9.5 | 5.0 | mm |



PART NUMBER GUIDE



*Contact CUI for additional output plug options.



V-INFINITY
a division of CUI INC

date 09/2010
page 7 of 8

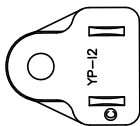
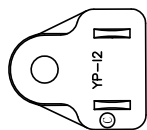
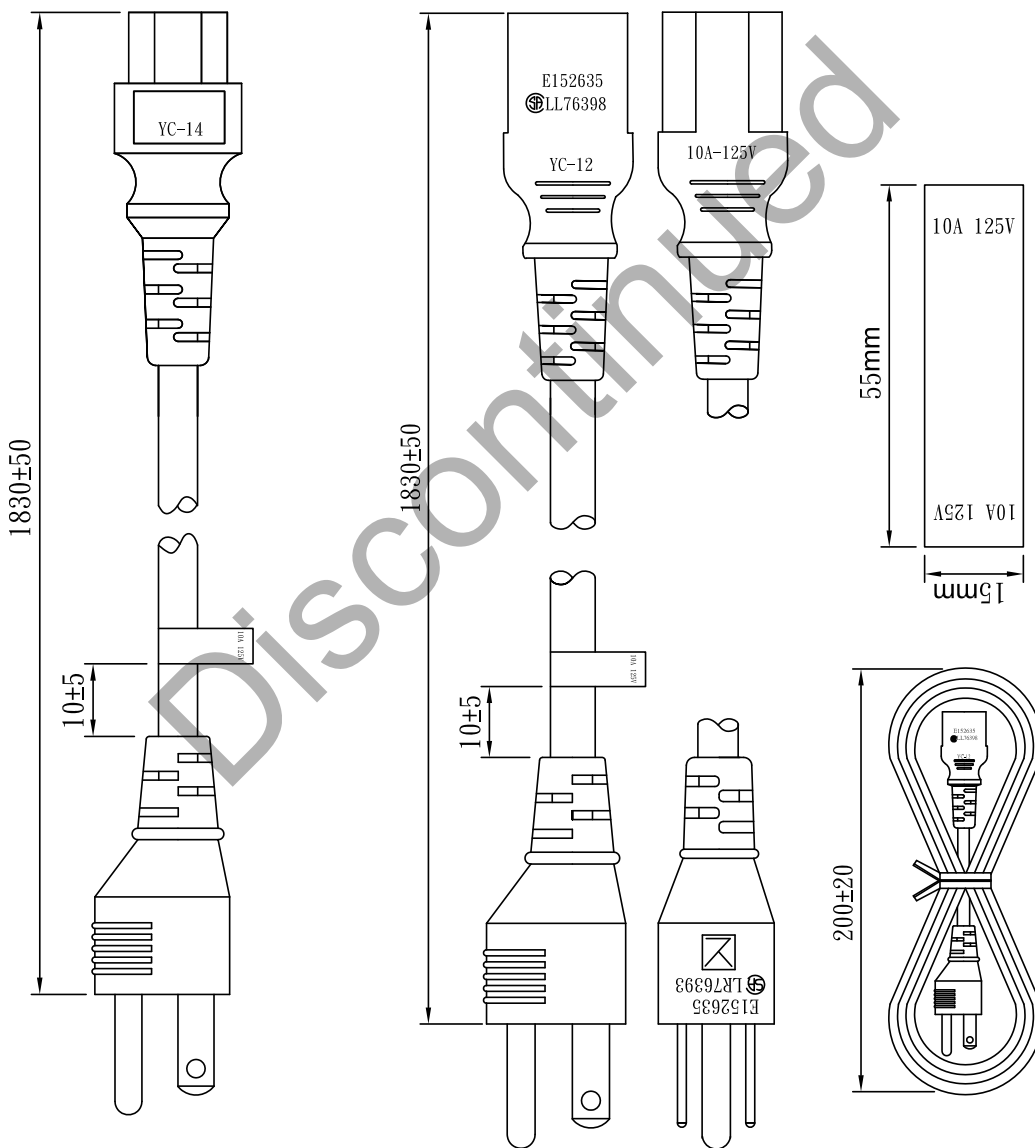
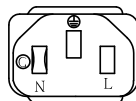
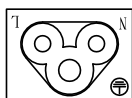
SERIES: 40 W DESKTOP

DESCRIPTION: SWITCHING POWER SUPPLY

AC CORD

C6

C14



*Contact CUI for additional ac cord input blade options.



V-INFINITY
a division of CUI INC

date 09/2010

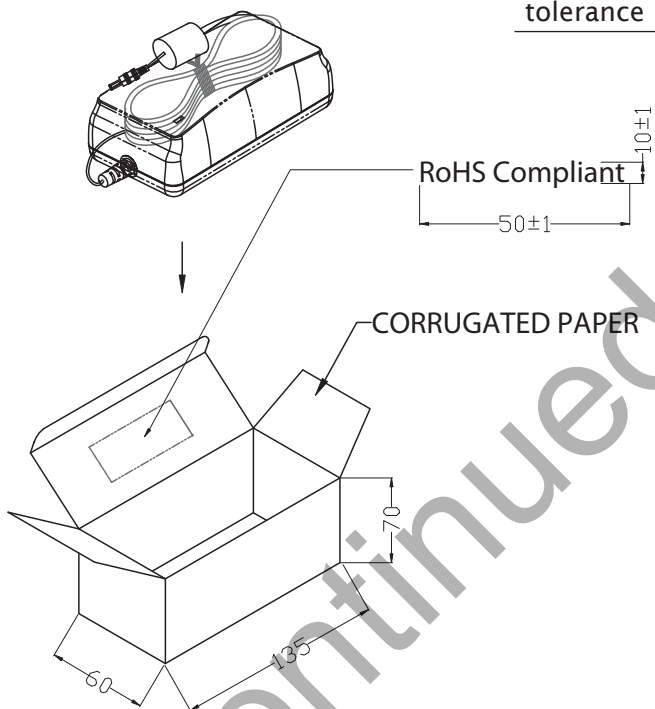
page 8 of 8

SERIES: 40 W DESKTOP

DESCRIPTION: SWITCHING POWER SUPPLY

INDIVIDUAL PACKAGING

tolerance ± 1 mm



PACKAGING

tolerance +7 / -0 mm

CARTON SIZE: 430X327X315mm

Q'TY: 60pcs(15x4)

