



PART NUMBER: EPA120100-P5R-SZ

DESCRIPTION: linear power supply

**SPECIFICATIONS**

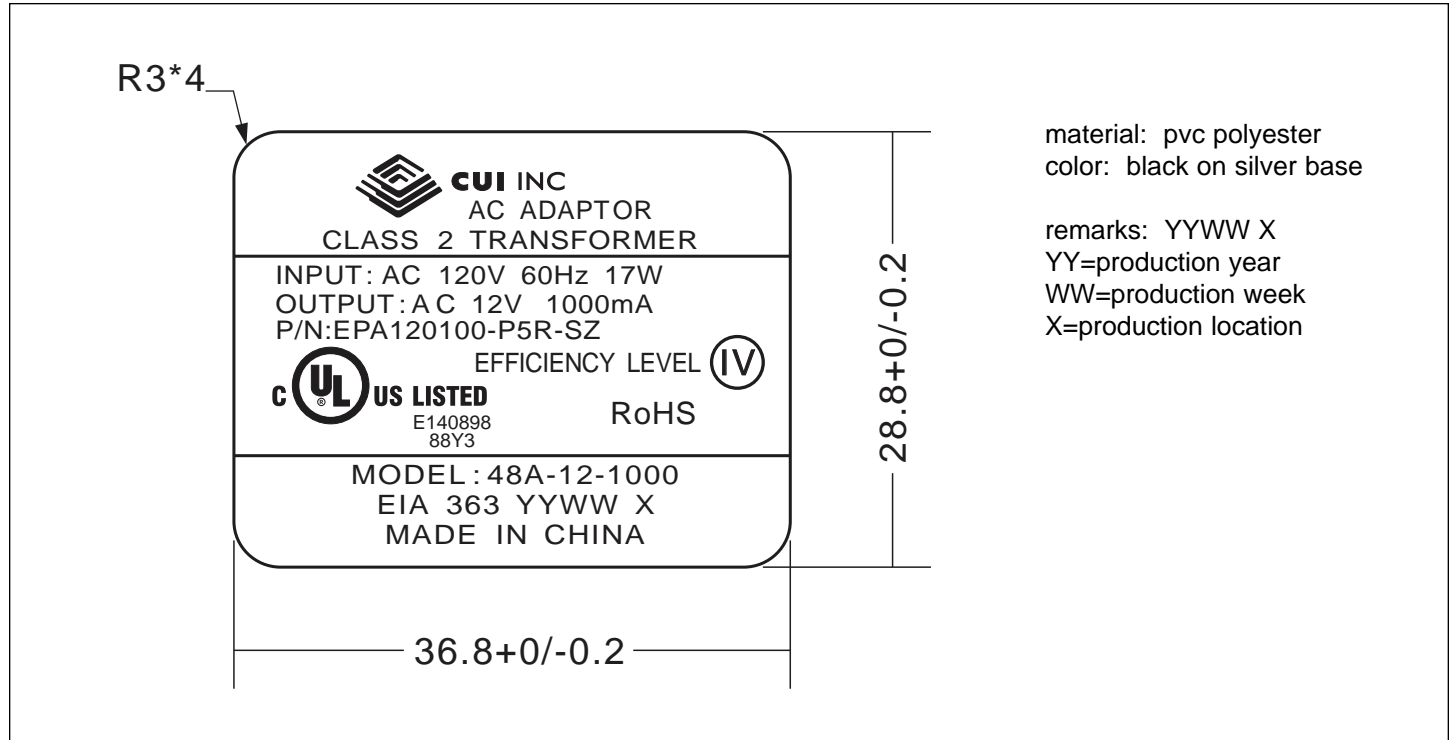
| | | |
|---|--------------------------------------|--------------------------------|
| output voltage | 12 V ac at 1000 mA | |
| rated input voltage | 120 V ac | |
| primary rated voltage | 120 V ac 60 Hz 17 W | |
| primary exciting current | 30 mA rms max. | |
| secondary rated voltage & current | no load voltage (max.) | 15.6 V |
| | no load power consumption (max.) | 0.5 W |
| | full load voltage (1000 mA) | 12 V \pm 5% |
| temperature rise of primary winding (full load) | 70°C max. using resistance method | |
| insulation resistance | \geq 100 M Ohm at 500 Vdc | |
| HI-POT test | primary to secondary | 1240 V ac at 2 mA for 1 minute |
| | primary to secondary | 1600 V ac at 2 mA for 1 second |
| | primary winding to secondary winding | 1600 V ac at 2 mA for 1 second |
| | primary winding to core | 1600 V ac at 2 mA for 1 second |
| | secondary winding to core | 750 V ac at 2 mA for 1 second |
| safety standard | UL/cUL | |
| RoHS compliant | yes | |
| efficiency | meets Energy Star / CEC Level IV | |
| test conditions | ambient temp | 40 \pm 2°C |
| | humidity | 90~95% 96 hours at Full Load |
| | rated voltage | 8 hours at full load |
| adapter color | case | black |
| | cord | black |



PART NUMBER: EPA120100-P5R-SZ

DESCRIPTION: linear power supply

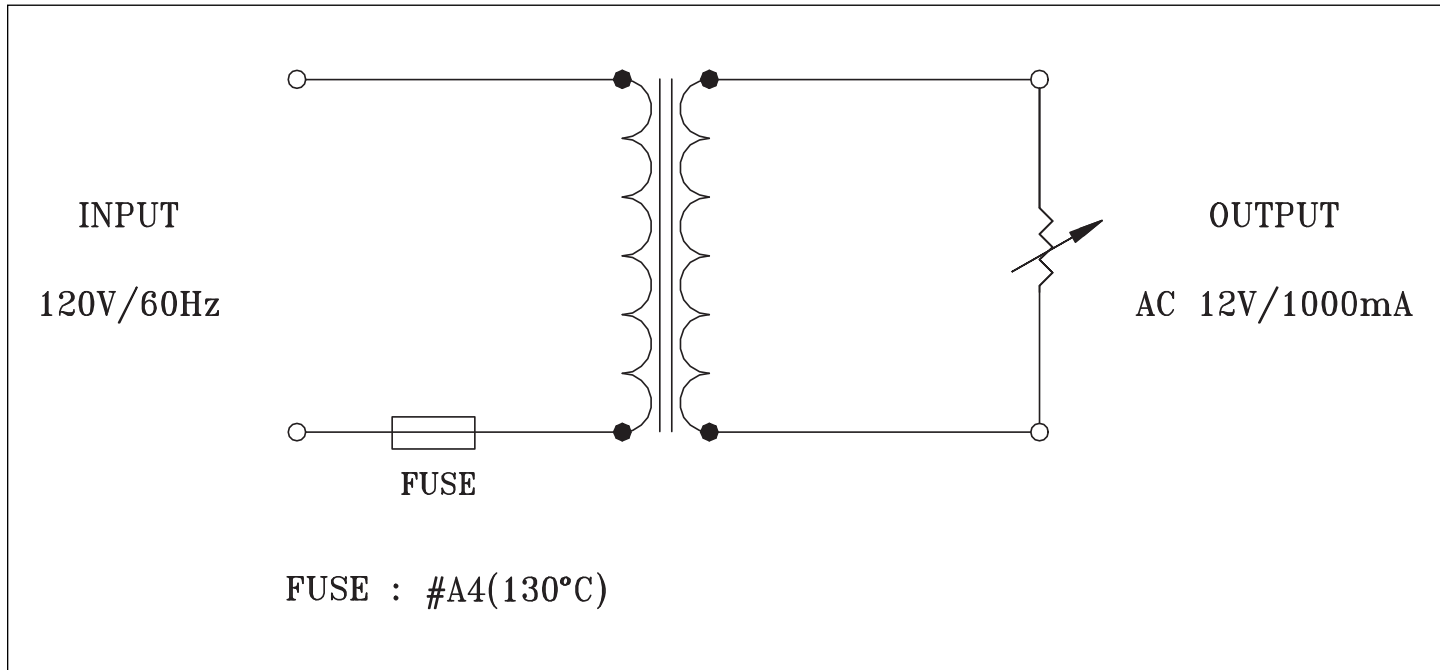
LABEL



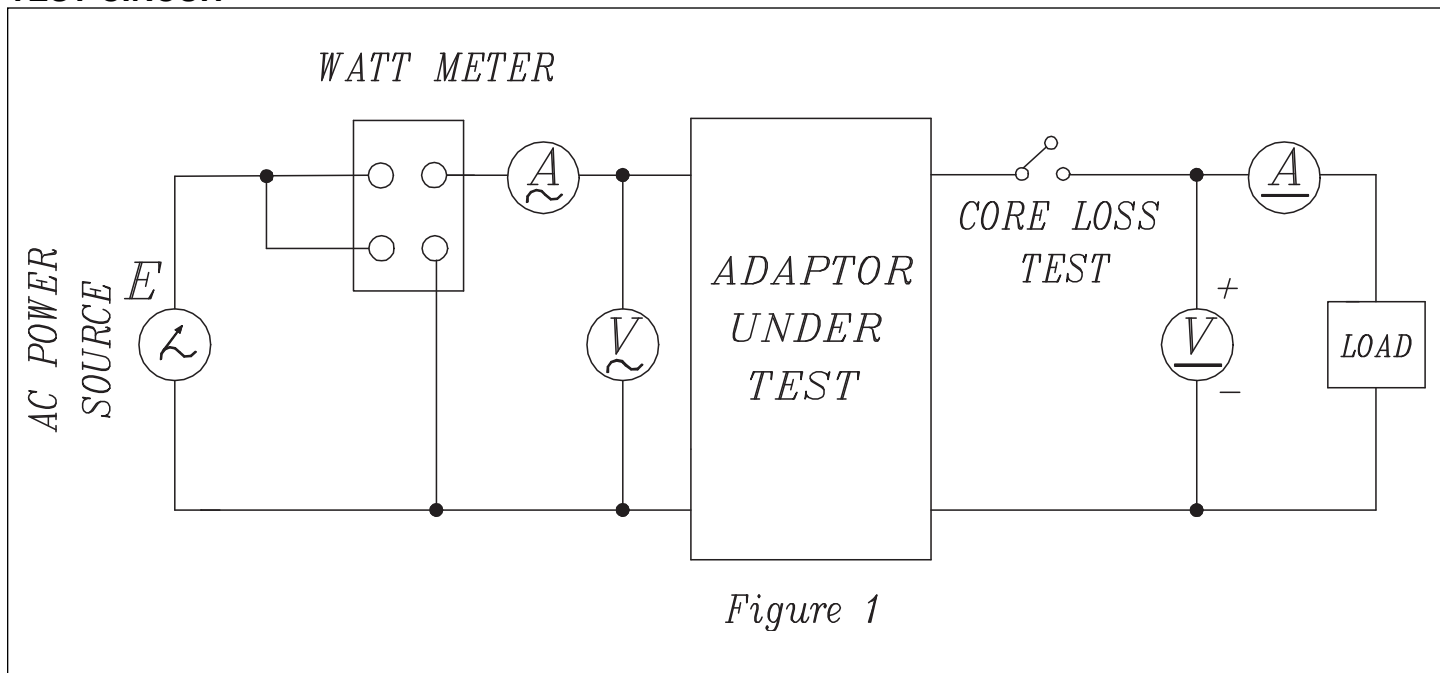
PART NUMBER: EPA120100-P5R-SZ

DESCRIPTION: linear power supply

CIRCUIT DIAGRAM



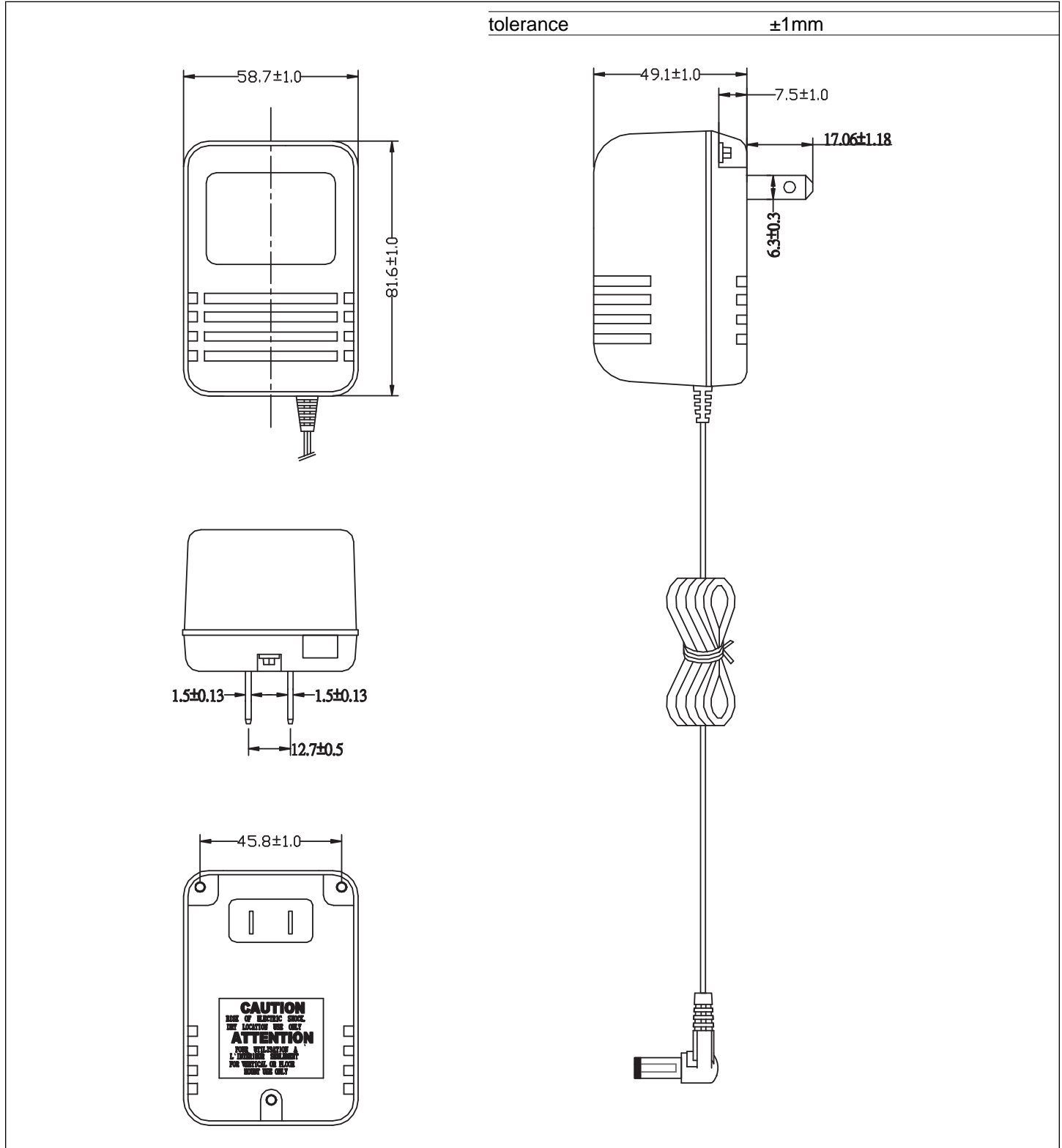
TEST CIRCUIT



PART NUMBER: EPA120100-P5R-SZ

DESCRIPTION: linear power supply

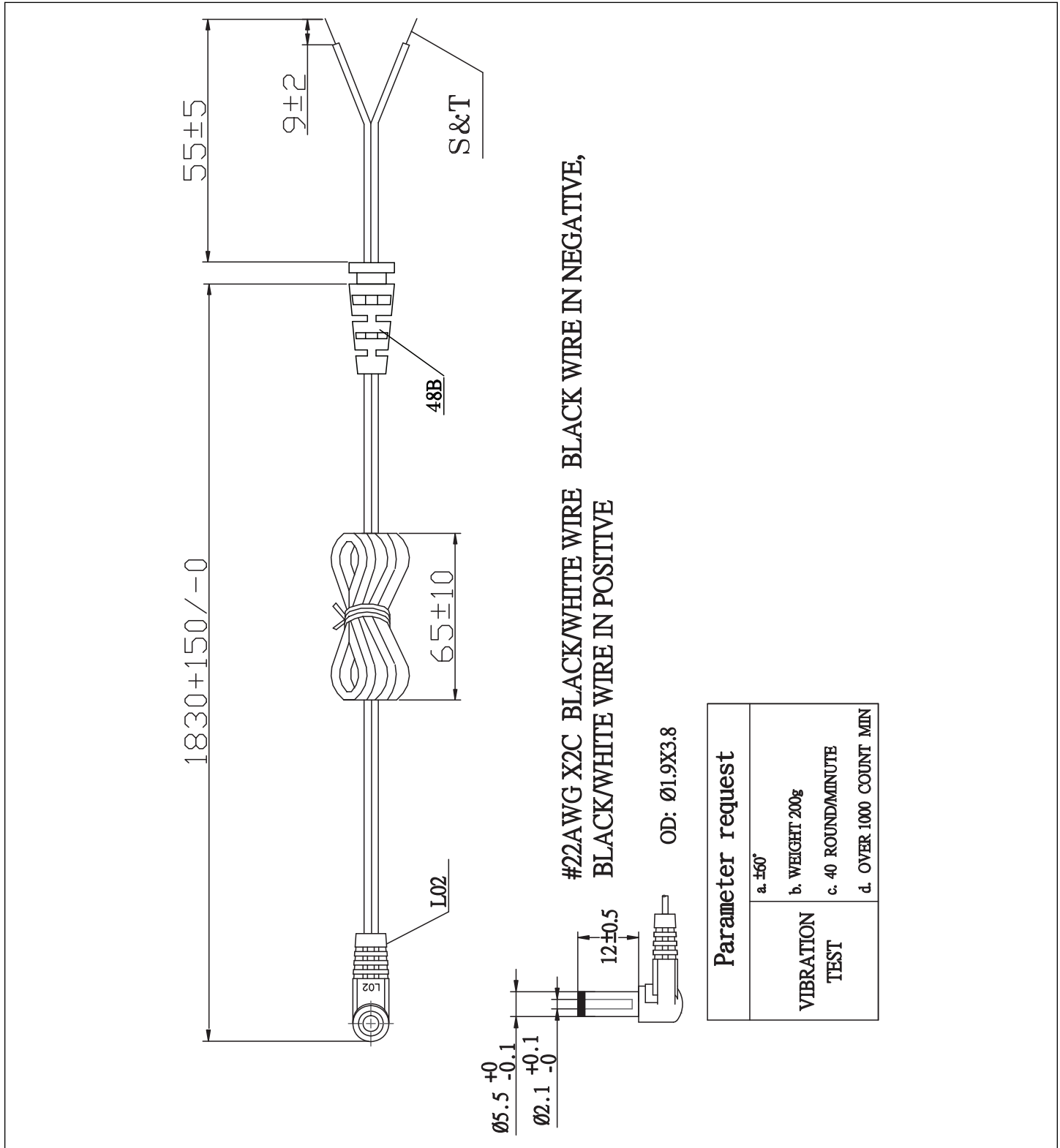
MECHANICAL DRAWING



PART NUMBER: EPA120100-P5R-SZ

DESCRIPTION: linear power supply

DC CORD

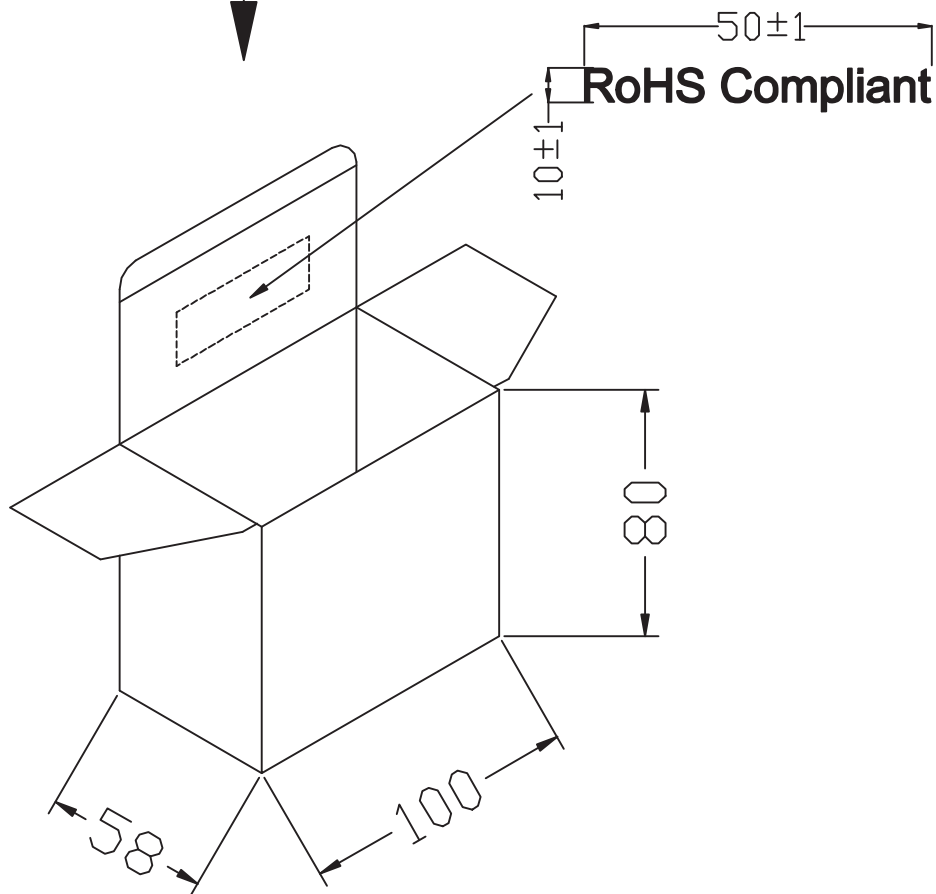
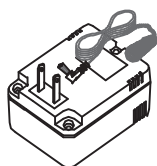


PART NUMBER: EPA120100-P5R-SZ

DESCRIPTION: linear power supply

INDIVIDUAL PACKAGING

tolerance: ± 1



PART NUMBER: EPA120100-P5R-SZ

DESCRIPTION: linear power supply

PACKAGING

tolerance: +7/-0

OUTSIDE CARTON:A=B(6mm)
INSIDE CARTON:A-B(3mm)
CARTON SIZE: 430x223x269mm
Q'TY: 40pcs(10X4X1)
N.W:16.8 KGS
G.W:17.8 KGS
N.W:18.8 KGS

