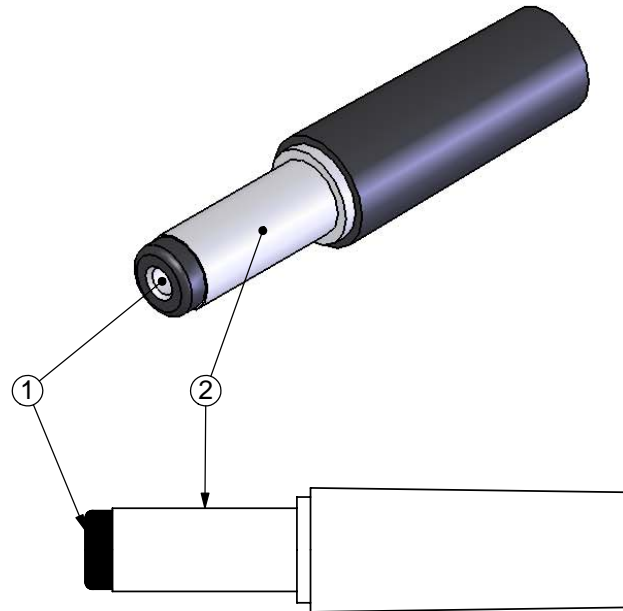
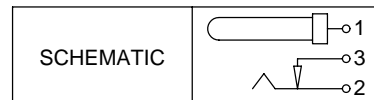


SCHEMATIC/WIRING APPLICATION NOTES

DC POWER PLUG



TYPICAL DC POWER JACK SCHEMATIC*



PINS 1, 2 CORRESPOND TO PLUG CONTACTS ABOVE.
PIN 3 IS NORMALLY A CLOSED SWITCH CONNECTED
TO THE CONTACT SHOWN.
THE SWITCH OPENS WHEN A PLUG IS INSERTED.

*PLEASE NOTE PIN NUMBERING MAY VARY FOR INDIVIDUAL CUI JACKS