



20050 SW 112th Ave. Tualatin, Oregon 97062
phone: 800.275.4899 fax: 503.612.2383
www.cui.com

Product Change Notice (PCN)

Date: 5/03/2019

PCN Number: PCN-0380008R-01

To Our Customers:

We appreciate your use of CUI products. Our commitment in maintaining and improving processes is demonstrated by plans to enhance our product quality, reliability and manufacturability. The purpose of this notice is to inform you of a product change.

Product(s) Affected: GF0779TV

Reason(s) for Change: Change to speaker frame due to tooling issue.

Description of Change: Metal frame altered creating a higher resonance frequency and SPL. The Buzz, Rattle, etc voltage has also been impacted and the screw terminal dimensions altered.

Affected Date Code: 04/13/2019

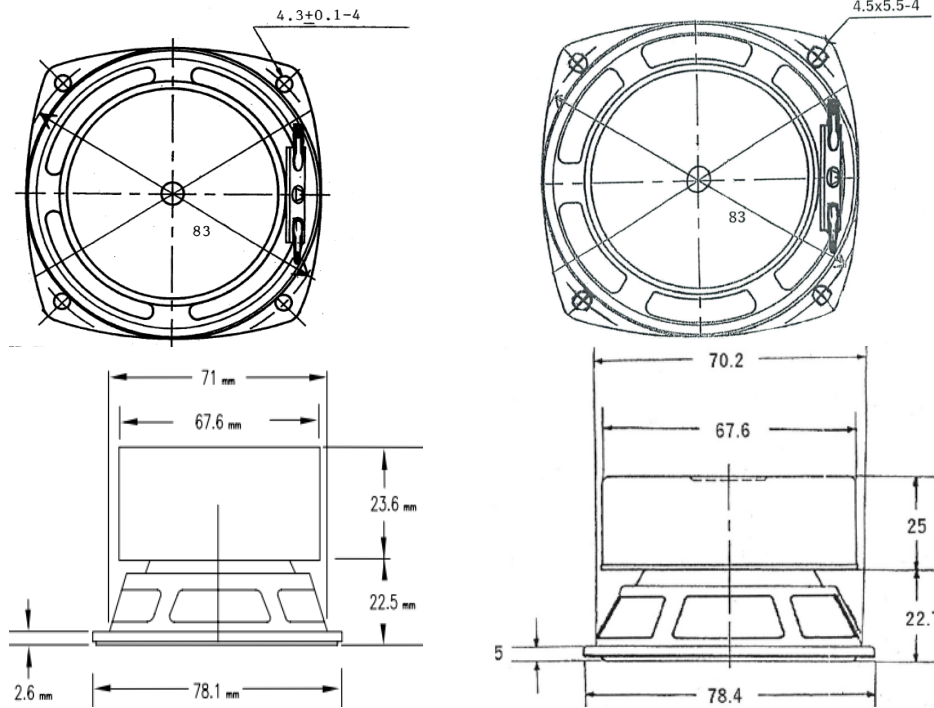
Product Availability: Currently available

Additional Information: Change made to form, fit and function.

Previous Design:
 Resonant Frequency 125 Hz \pm 18 Hz
 SPL 89dB
 Buzz, Rattle, etc. 6 V

New Design:
 Resonant Frequency 150 Hz \pm 30 Hz
 SPL 94dB
 Buzz, Rattle, etc. 6.92 V

See drawings below for dimensional changes



PCN Approval:

Operations/Quality

Sam Woody

Product Marketing

Morgan