

Product Change Notice (PCN)

Date: 03/23/17

PCN Number: PCN-0381408R-01

To Our Customers:

We appreciate your use of CUI products. Our commitment in maintaining and improving processes is demonstrated by plans to enhance our product quality, reliability and manufacturability. The purpose of this notice is to inform you of a product change.

Product(s) Affected: CMS-160916-30-3

Reason(s) for Change: Increase production efficiency, manufacturability, and product quality.

Description of Change: Power rating change to 0.8W rated; sound pressure level change to 88dB @ 0.8/10cm; resonant frequency change to 600Hz; THD change to 15% max; multiple housing/appearance modifications as shown below:

Old Design



New Design



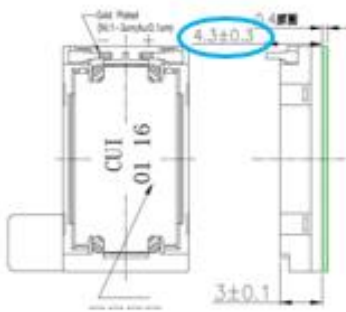
Old Design



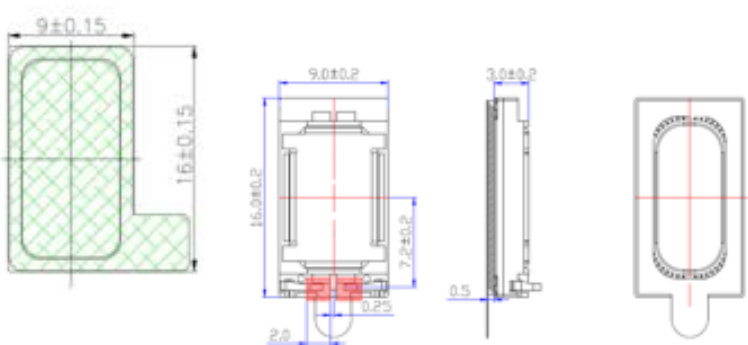
New Design



Old Design



New Design



Affected Date Code: 04/01/2017

Product Availability: Currently available

Additional Information: None

PCN Approval:

Operations/Quality



Product Marketing

