

## Product Change Notice (PCN)

**Date:** 08/03/12

**PCN Number:** PCN-080312\_01

To Our Customers:

We appreciate your use of CUI products. Our commitment in maintaining and improving processes is demonstrated by plans to enhance our product quality, reliability and manufacturability. The purpose of this notice is to inform you of a product change.

Product(s) Affected: PJ-019

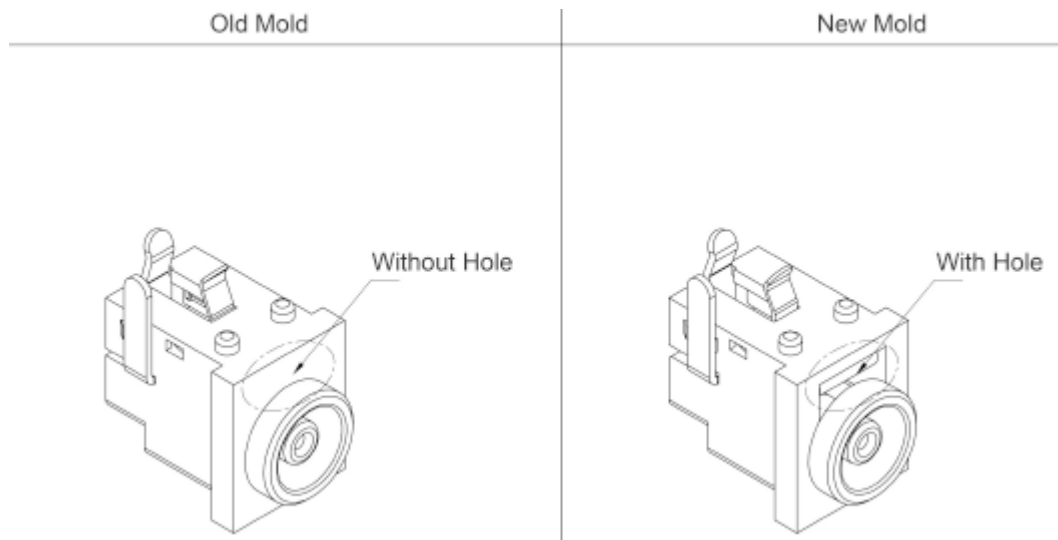
Reason(s) for Change: The mold for the plastic injection reach was discontinued.

Description of Change: There is now a small hole in the front of the jack.

Affected Date Code: 08/03/12

Product Availability: After 08/03/12

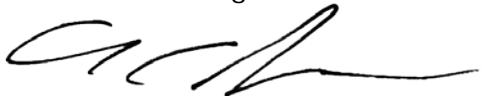
Additional Information:



PCN Approval:



20050 SW 112th Ave. Tualatin, Oregon 97062  
phone: 800.275.4899 fax: 503.612.2383  
www.cui.com

Operations/Quality	Allison Grose
Product Marketing 	Andrew Johnson