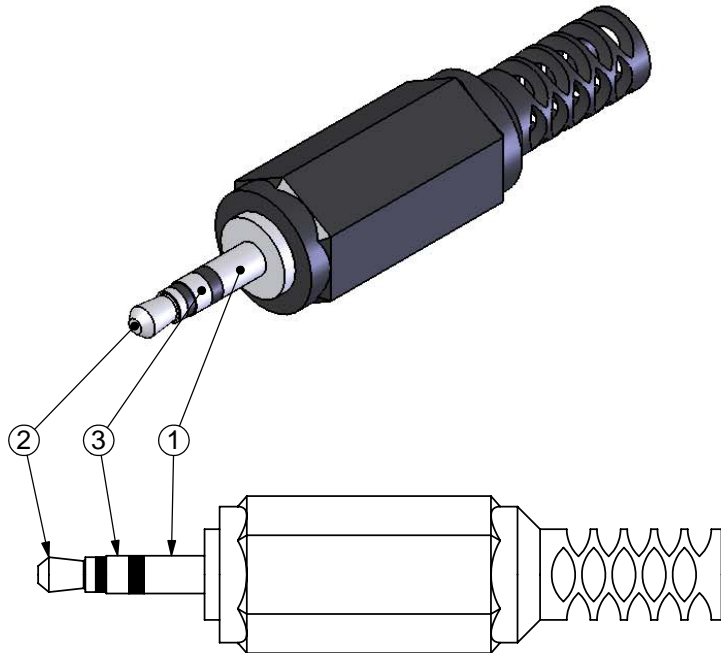
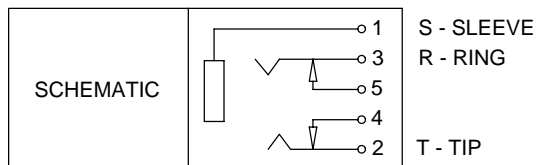


SCHEMATIC/WIRING APPLICATION NOTES

STEREO PLUG



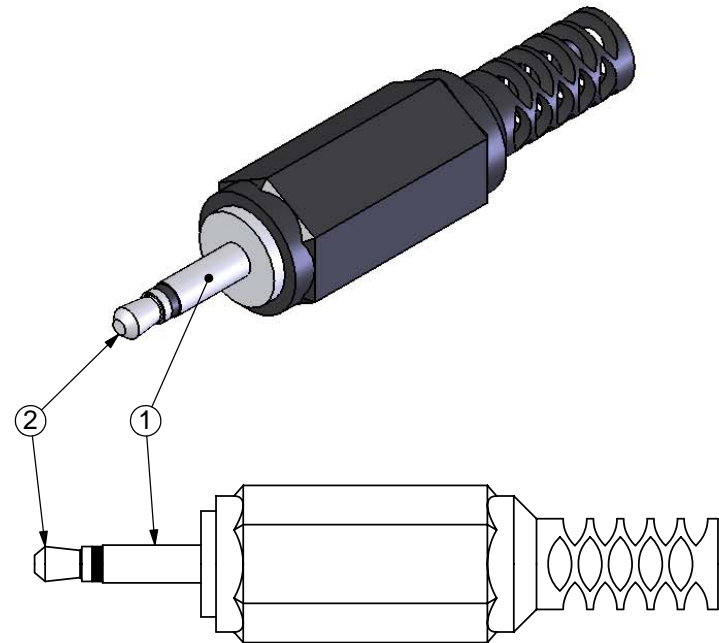
TYPICAL STEREO JACK SCHEMATIC*



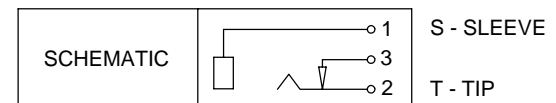
PINS 1, 2, 3 CORRESPOND TO PLUG CONTACTS ABOVE.
 PINS 4 & 5 (IF APPLICABLE) ARE NORMALLY CLOSED
 SWITCHES CONNECTED TO THE CONTACTS SHOWN.
 THE SWITCHES OPEN WHEN A PLUG IS INSERTED.

*PLEASE NOTE PIN NUMBERING MAY VARY FOR INDIVIDUAL CUI JACKS

MONO PLUG



TYPICAL MONO JACK SCHEMATIC*



PINS 1, 2 CORRESPOND TO PLUG CONTACTS ABOVE.
 PIN 3 IS NORMALLY A CLOSED SWITCH CONNECTED
 TO THE CONTACT SHOWN.
 THE SWITCH OPENS WHEN A PLUG IS INSERTED.

*PLEASE NOTE PIN NUMBERING MAY VARY FOR INDIVIDUAL CUI JACKS

SCHEMATIC/WIRING APPLICATION NOTES

TYPICAL MONO/STEREO PLUG APPLICATIONS

	Unbalanced	Balanced	Stereo
Tip	Signal	Positive/"Hot"	Left channel
Ring	Not present	Negative/"Cold"	Right channel
Sleeve	Ground/Return	Ground	Ground

TYPICAL "PLUG-IN POWER" APPLICATION

