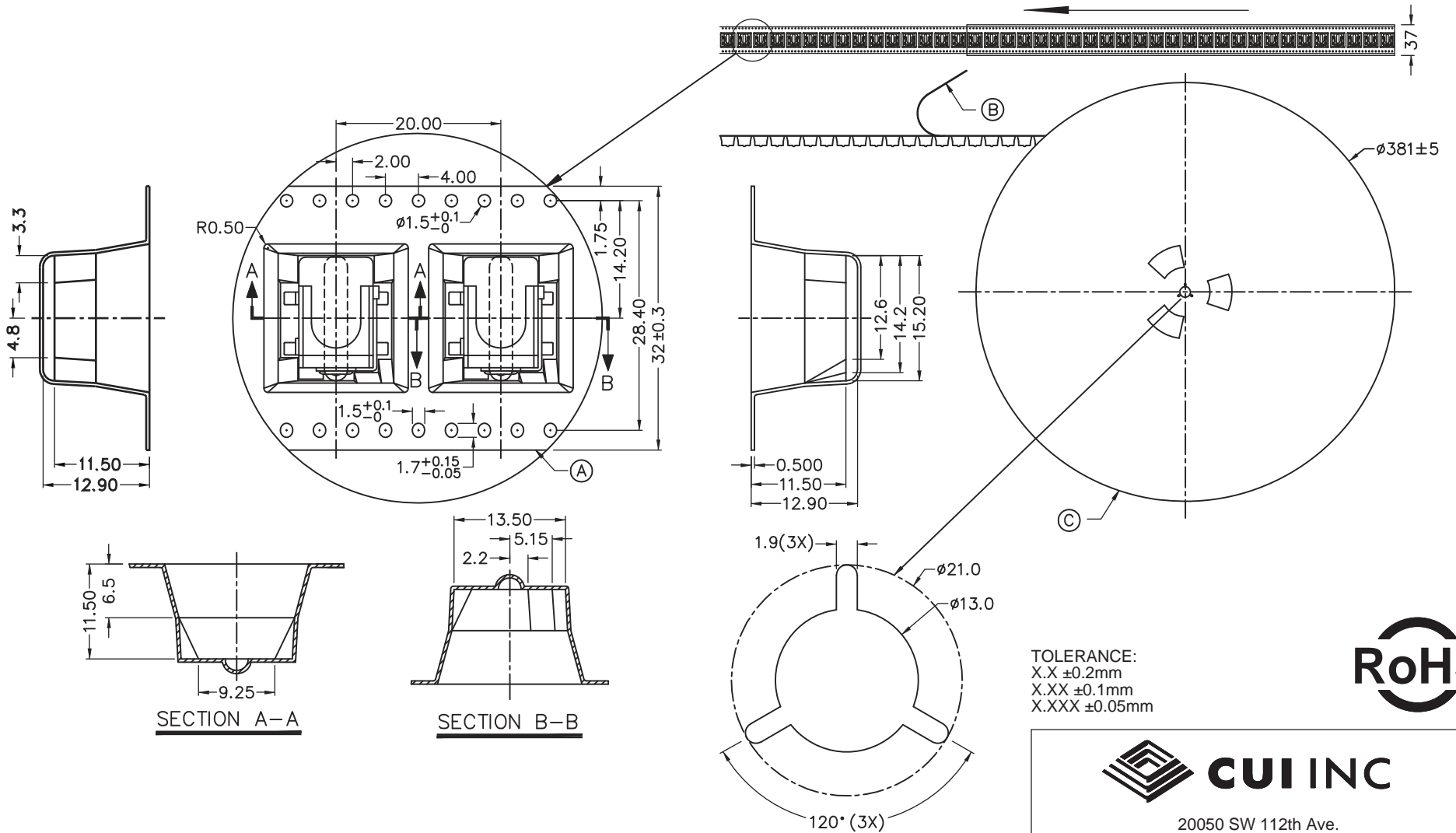


REV.	DESCRIPTION	DATE
A	NEW DRAWING	7/3/2007
B	updated drawing	1/2/2008




TOLERANCE:  
X.X ±0.2mm  
X.XX ±0.1mm  
X.XXX ±0.05mm



SUPPORTED PARTS
PJ-002AH-SMT
PJ-002A-SMT
PJ-002BH-SMT
PJ-002B-SMT

**NOTE:**  
**350 JACKS PER REEL**

	MATERIAL
CARRYING TAPE	POLYPROPYLENE
COVER TAPE	POLYPROPYLENE TEREPHTHALATE
REEL	PLASTIC



20050 SW 112th Ave.  
Tualatin, OR 97062  
Phone: 503-612-2300  
800-275-4899  
Fax: 503-612-2383  
Website: www.cui.com

TITLE: TAPE AND REEL		REV: B
PART NO. TR-02	UNITS: MM [INCHES]	
DRAWN BY: ZRJ	APPROVED BY:	SCALE: 2:1

PC FILE NAME:  
TR-02

COPYRIGHT 2008 BY CUI INC.