

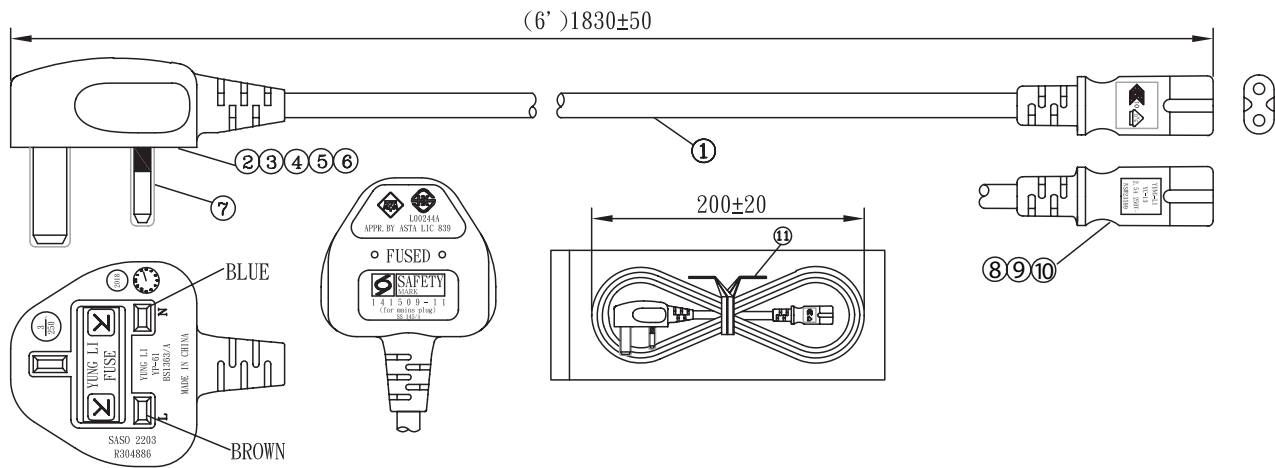
**MODEL:** AC-C7 UK | **DESCRIPTION:** AC CORD, UNITED KINGDOM



**MECHANICAL DRAWING**

3 250 BS1363/A MADE IN CHINA  
 APPR. BY ASTA LIC 839  
 SASO 2203 R304886

10 DVE NSW23599



NO.	SPECIFICATION	Q'TY	REMARK
1	H03VVH2-F 0.75/2C BLACK CONCAVE	1PC	1810±15(YL)
2	YP-61 PVC PLASTIC: 60P BLACK	54G/pc	
3	FRAME: BLACK	1PC	
4	FUSE LID: BLACK	1PC	
5	FRAME LID	1PC	
6	FUSE: 3A	1PC	
7	SLEEVE WHITE	1PC	
8	YC-13 H.S.G.	1PC	
9	YC-13 TER	2PCS	
10	YC-13 PVC PLASTIC: 50P BLACK	9p/PC	
11	MINI TIE:L=130mm BLACK	1PC	

Tolerance  
 >0±0.30  
 >1.0±0.50  
 >10.0±1.0  
 >20.0±2.0  
 Angle: ±1°

## REVISION HISTORY

---

<b>rev.</b>	<b>description</b>	<b>date</b>
1.0	initial release	08/16/2011
1.01	updated safety marks	07/13/2018

The revision history provided is for informational purposes only and is believed to be accurate.



**Headquarters**  
20050 SW 112th Ave.  
Tualatin, OR 97062  
**800.275.4899**

Fax 503.612.2383  
**cui.com**  
techsupport@cui.com

CUI offers a one (1) year limited warranty. Complete warranty information is listed on our website.

CUI reserves the right to make changes to the product at any time without notice. Information provided by CUI is believed to be accurate and reliable. However, no responsibility is assumed by CUI for its use, nor for any infringements of patents or other rights of third parties which may result from its use.

CUI products are not authorized or warranted for use as critical components in equipment that requires an extremely high level of reliability. A critical component is any component of a life support device or system whose failure to perform can be reasonably expected to cause the failure of the life support device or system, or to affect its safety or effectiveness.