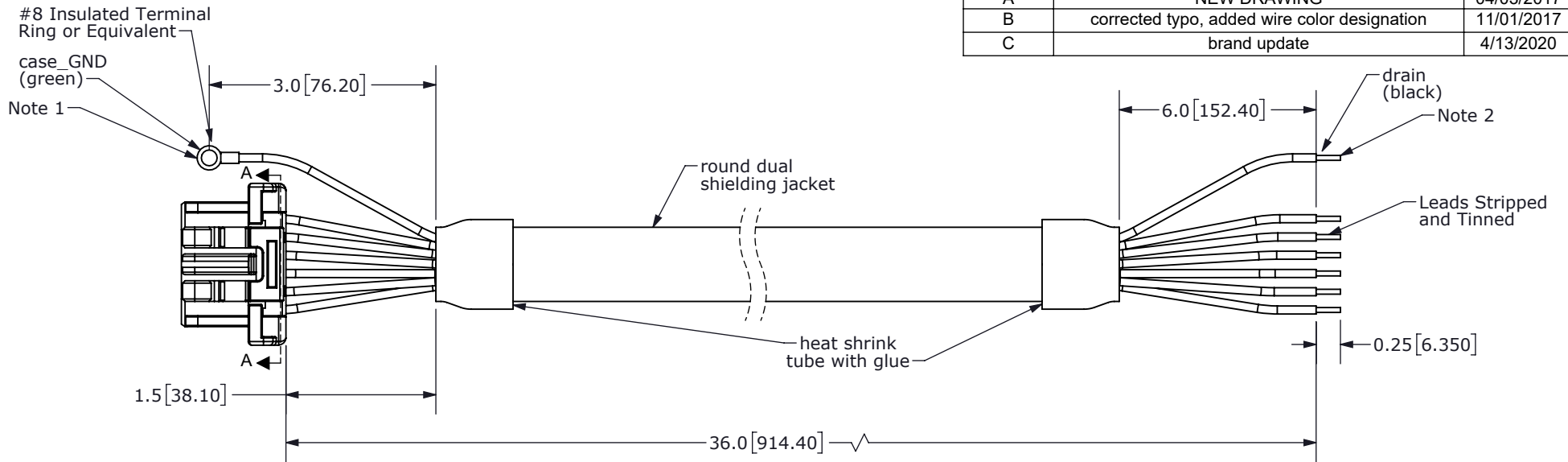
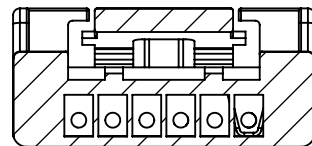


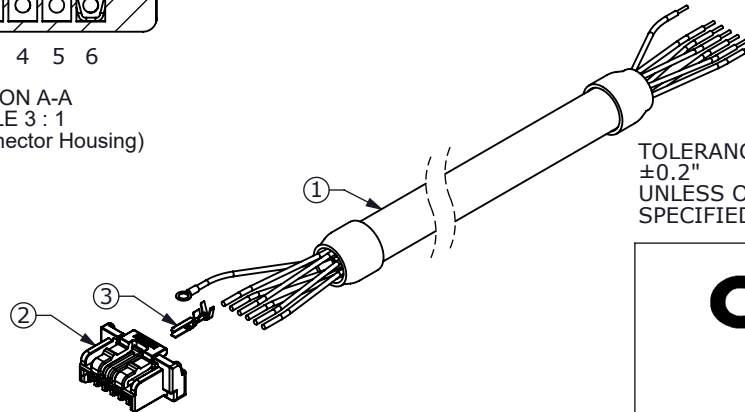
REV.	DESCRIPTION	DATE
A	NEW DRAWING	04/03/2017
B	corrected typo, added wire color designation	11/01/2017
C	brand update	4/13/2020



Connector Pinout			
#	Function	Color	
		Primary	Stripe
1	+5 V	White	Green
2	B	Blue	White
3	A	White	Blue
4	GND	Green	White
5	TBIT	Orange	White
6	MCLR_CS	White	Orange



SECTION A-A
SCALE 3 : 1
(Back of Connector Housing)



NOTES 1: case_GND (green) is connected internally to GND (green/white)
2: drain (black) connected internally to cable shielding

TOLERANCE:
±0.2"
UNLESS OTHERWISE SPECIFIED



CUI DEVICES

6405 SW Rosewood St, Suite C
Lake Oswego, OR 97035
Phone: 877-323-3576

Website: www.cuidevices.com

ITEM NO:	977-7137R	REV:	C
PART NO.	AMT-06C-1-036	UNITS:	INCHES[MM]
DRAWN BY:	RDS	APPROVED BY:	
		SCALE:	2:1

	Part	QTY	Part#
1	Cable	1	Belden 8103
2	Connector	1	Molex 502578-0600
3	Crimp Pins	6	Molex 5025791000

PC FILE NAME:
AMT-06C-1-036

COPYRIGHT 2020 BY CUI DEVICES