



Part No: CLS0501MP

Date: 7/03/2007

Unit: mm

Description: speaker

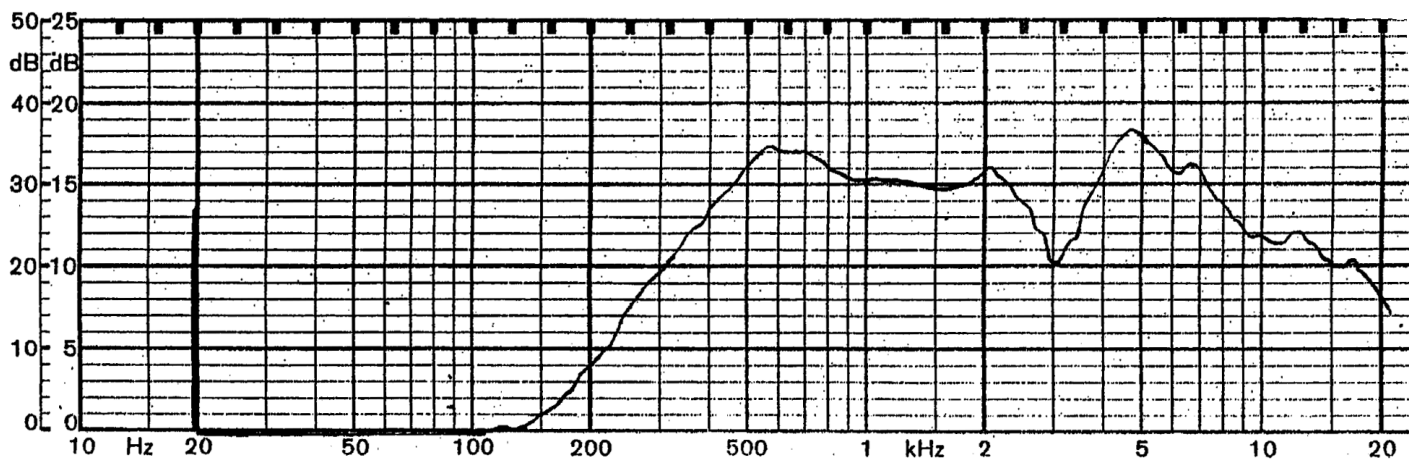
Page No: 1 of 2

Specifications

Nominal Size	50 mm	2 inch.
Impedance	8 Ohm \pm 15%	at 0.8 KHz 1 V
Resonant frequency	550 Hz \pm 110 Hz	at 1 V
Sound pressure level	80 dB/w \pm 3 dB	0.2 w 50 cm ave at 0.9K, 1.2K, 1.5K, 1.8KHz
Response	Fo Hz ~ 6 KHz max 10 dB	
Input power	Nominal 0.2 W	Handling capacity 0.5 W
Operation	must be normal at program source 0.2 W	
Buzz, rattle, etc.	must be normal at sine wave 1.26 V	
Magnet	Size: 12.5 x 1.5 mm	
Load test	White noise 0.2 W	for 5 hours
Heat test	70 \pm 2° C	20-50% R.H. 5 hours
Humidity test	40 \pm 2° C	90-95% R.H. 5 hours

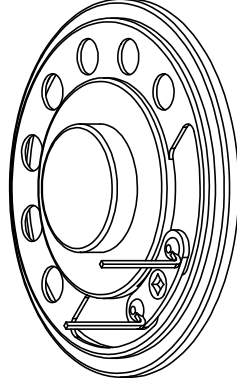
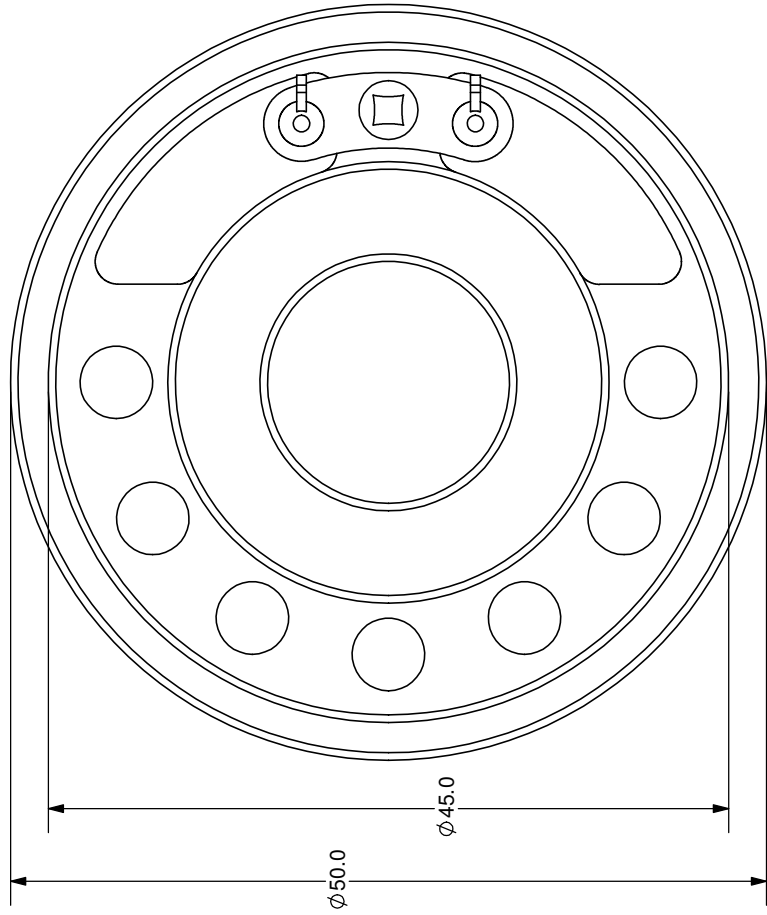
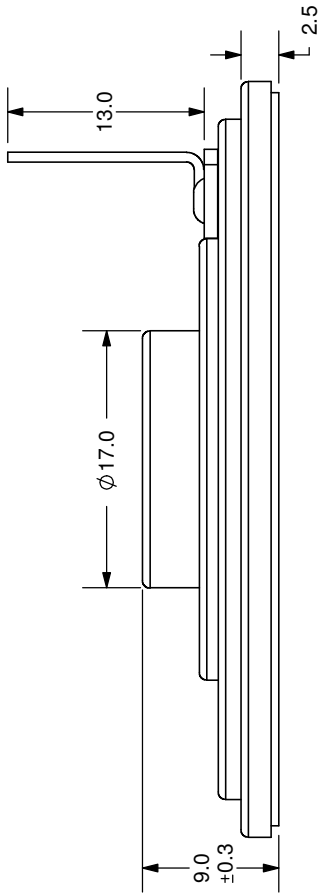
Frequency Response Curve

Potentiometer range	50 dB
Rectifier	RMS
Lower limit frequency	20 Hz
Wr. speed	100 mm/sec



Zero level 70 dB

REV.	DESCRIPTION	DATE
A	NEW DRAWING	7/3/2007



SCALE 1:1



TOLERANCE:
±0.5mm UNLESS OTHERWISE
SPECIFIED



CUI INC

20050 SW 112th Ave.
Tualatin, OR 97062
Phone: 503-612-2300
800-275-4899
Fax: 503-612-2383
Website: www.cui.com

TITLE: LOW PROFILE SPEAKER REV: A

PART NO: CLS0501MP UNITS: MM [INCHES]

DRAWN BY: ZRJ APPROVED BY: SCALE: 2:1

PC FILE NAME: CLS0501MP

COPYRIGHT 2007 BY CUI INC.