



Part No: CLS0571M-L152

Date: 7/03/2007

Unit: mm

Description: speaker

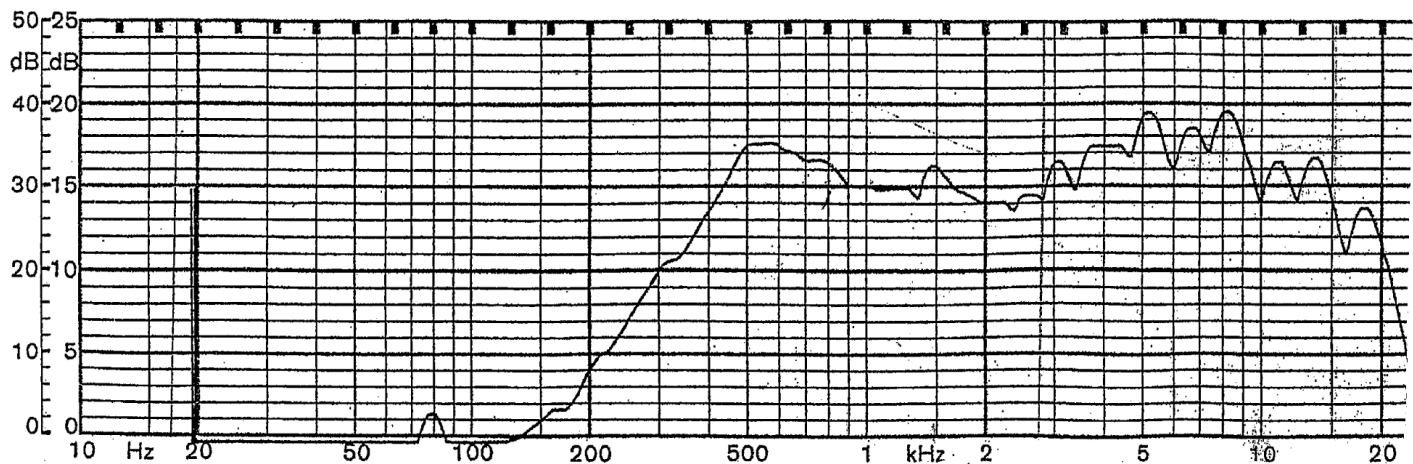
Page No: 1 of 2

## Specifications

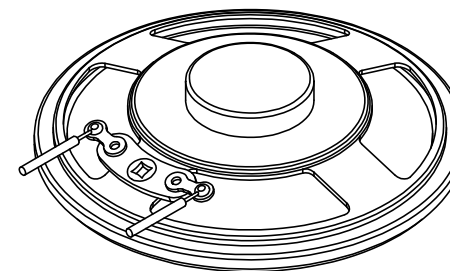
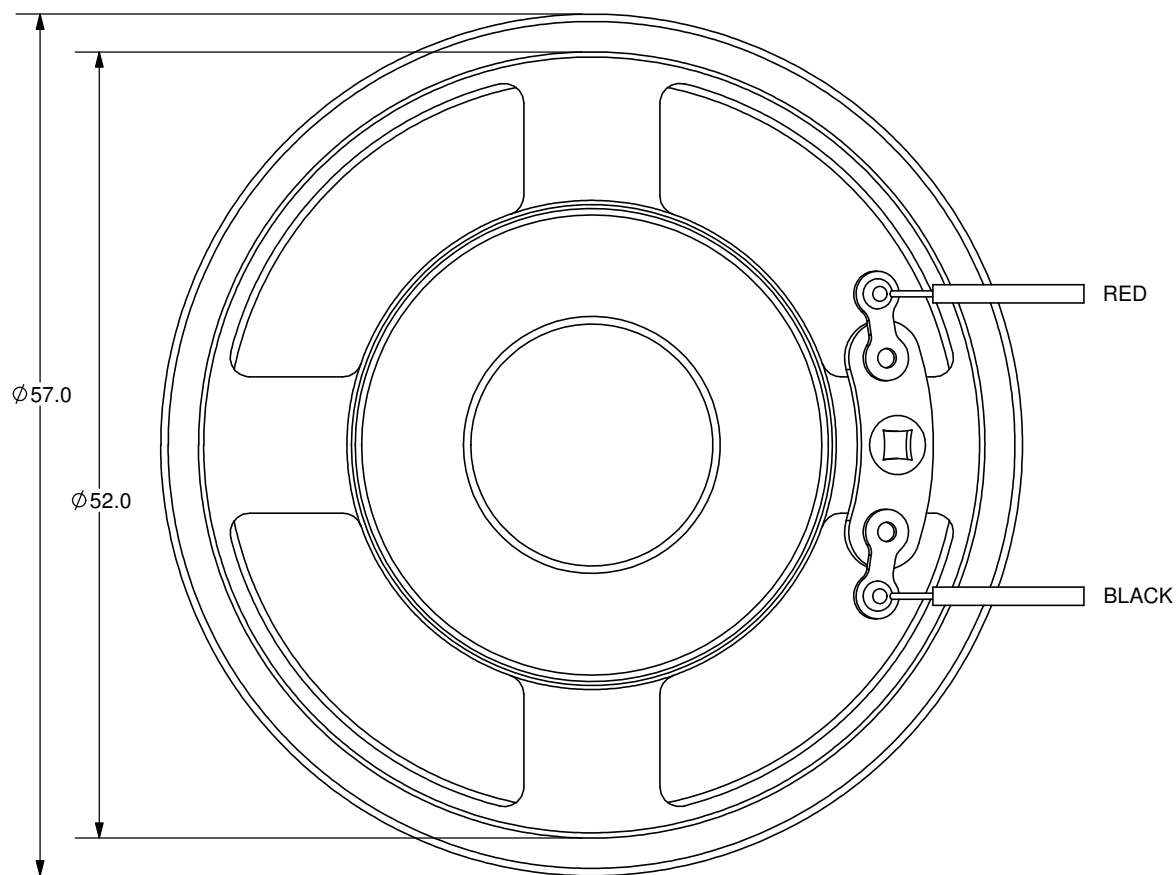
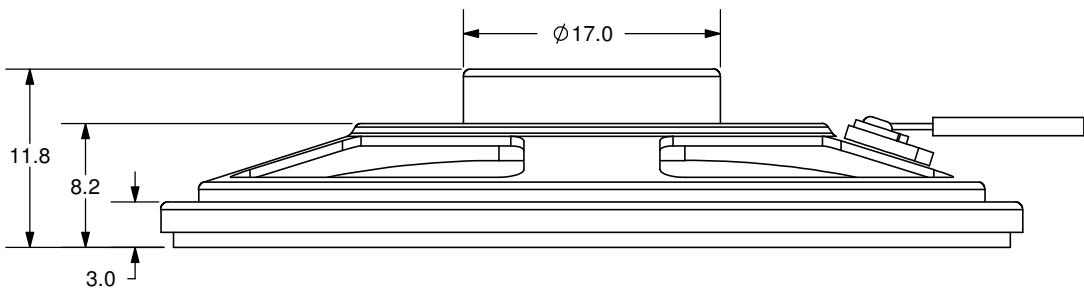
Nominal Size	57 mm	2 ¼ inch.
Impedance	8 Ohm ± 15%	at 0.8 KHz 1 V
Resonant frequency	530 Hz ± 100 Hz	at 1 V
Sound pressure level	89 dB/w ± 3 dB	0.2 w 50 cm ave at 1K, 1.4K, 1.7K, 2K Hz
Response	Fo Hz ~ 20 KHz max 10 dB	
Input power	Nominal 0.2 W	Handling capacity 0.5 W
Operation	must be normal at program source 0.2 W	
Buzz, rattle, etc.	must be normal at sine wave 1.3 V	
Magnet	Size: 12.5 x 1.5 mm	
Load test	White noise	0.2 W for 5 hours
Heat test	70 ± 2° C	20-50% R.H. 5 hours
Humidity test	40 ± 2° C	90-95% R.H. 5 hours

## Frequency Response Curve

Potentiometer range	50 dB
Rectifier	RMS
Lower limit frequency	50 Hz
Wr. speed	100 mm/sec

Zero level 60 dB

REV.	DESCRIPTION	DATE
A	NEW DRAWING	7/3/2007



SCALE 1:1

SPECIFICATIONS:  
 WIRE: UL1007, #28AWG  
 LENGTH: 152mm

TOLERANCE:  
 ±0.2mm UNLESS OTHERWISE  
 SPECIFIED



20050 SW 112th Ave.  
 Tualatin, OR 97062  
 Phone: 503-612-2300  
 800-275-4899  
 Fax: 503-612-2383  
 Website: www.cui.com

TITLE: LOW PROFILE SPEAKER		REV: A
PART NO. CLS0571M-L152	UNITS: MM [INCHES]	
DRAWN BY: ZRJ	APPROVED BY:	SCALE: 2:1

PC FILE NAME:  
 CLS0571M-L152

COPYRIGHT 2007 BY CUI INC.