



**PART NUMBER: CMS0201KLX**

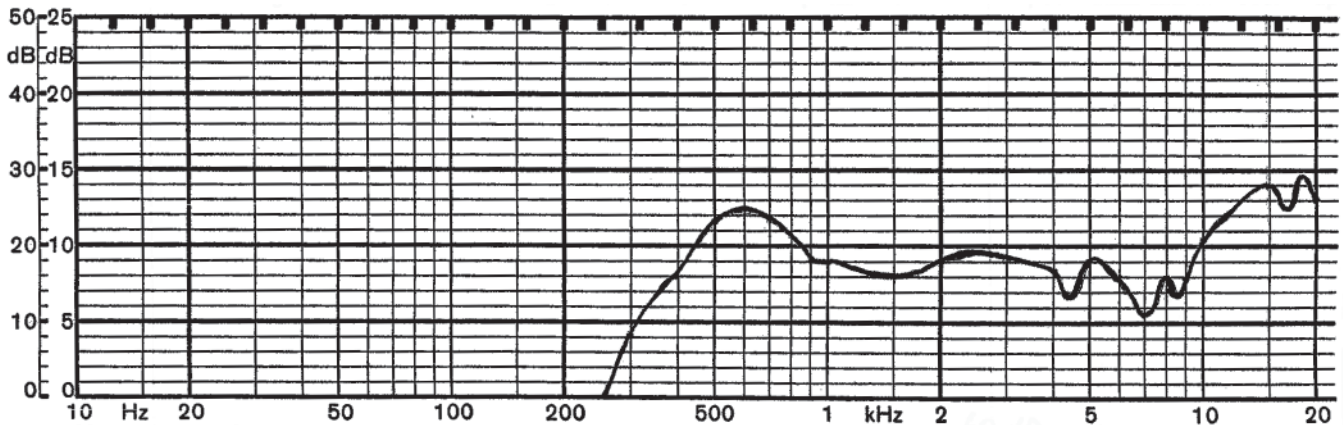
**DESCRIPTION: SPEAKER**

**SPECIFICATIONS**

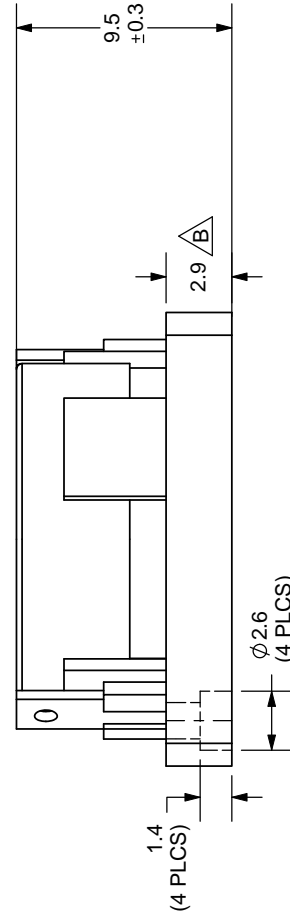
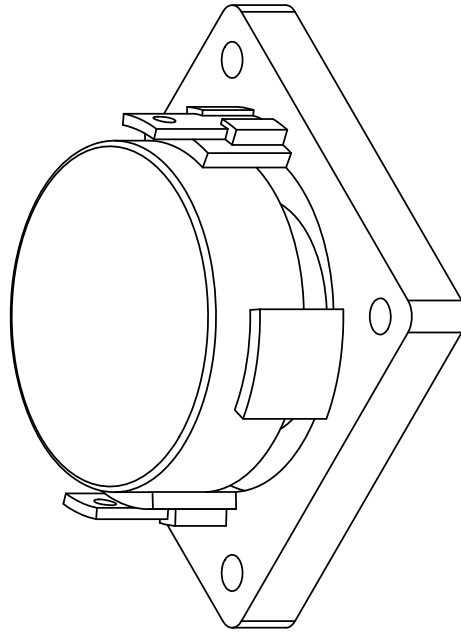
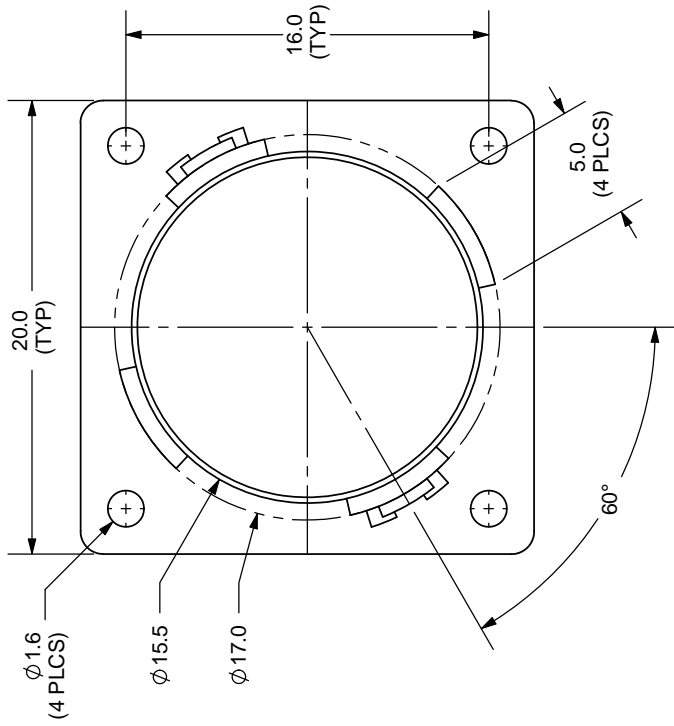
parameter	conditions/description	min	nom	max	units
nominal size	20 x 20 x 9.5H mm				
impedance	at 1 kHz, 1 V	6.8	8	9.2	Ω
resonant frequency	at 1 V	424	530	636	Hz
sound pressure level	1 W, 50 cm ave., at 0.6, 0.8, 1, 1.2 kHz	77	80	83	dB
response	10 dB max.	Fo		20,000	Hz
input power			2	4	W
operation	must be normal at program source		2		W
buzz, rattle, etc.	must be normal at sine wave		4		V dc
magnet	size: 11.4 x 3 mm				
load test	24 hours of white noise at		2		W
heat test	20 ~ 50% RH for 24 hours	58	60	62	°C
humidity test	90 ~ 95% RH for 24 hours	38	40	42	°C
RoHS	yes				

**FREQUENCY RESPONSE CURVE**

parameter	conditions/description
potentiometer range	50 dB
rectifier	RMS
lower limit frequency	20 Hz
wr. speed	100 mm/sec
zero level	60 dB



REV.	DESCRIPTION	DATE
A	NEW DRAWING	7/25/2007
B	base thickness chaged from 3.0mm to 2.9mm	5/6/2008



TOLERANCE:  
±0.2mm UNLESS OTHERWISE  
SPECIFIED



**CUI INC**

20050 SW 112th Ave.  
Tualatin, OR 97062  
Phone: 503-612-2300  
800-275-4899  
Fax: 503-612-2383  
Website: www.cui.com

TITLE: MINIATURE MONITOR SPEAKER	REV: B
PART NO: CMS0201KLX	UNITS: MM [INCHES]
DRAWN BY: ZRJ	APPROVED BY:
	SCALE: 3:1