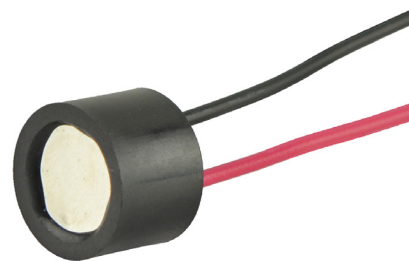


MODEL: CPT-1495C-300 | **DESCRIPTION:** PIEZO BUZZER TRANSDUCER

FEATURES

- externally driven
- wire leads
- IP67 rated


SPECIFICATIONS

| parameter | conditions/description | min | typ | max | units |
|------------------------|--|--------|--------|--------|-------|
| operating voltage | | | | 30 | Vp-p |
| current consumption | at 10 Vp-p, 4,250 Hz square wave | | | 12 | mA |
| rated frequency | | | 4,250 | | Hz |
| sound pressure level | at 10 cm, 10 Vp-p, 4,250 Hz square wave | 84 | | | dB |
| electrostatic capacity | at 1,000 Hz/1 V | 14,000 | 20,000 | 26,000 | pF |
| dimensions | Ø14.0 x 10.0 | | | | mm |
| weight | | | | 2.60 | g |
| material | PBT+15% Glass | | | | |
| terminal | wire type | | | | |
| operating temperature | | -30 | | 85 | °C |
| storage temperature | | -40 | | 95 | °C |
| RoHS | 2011/65/EU | | | | |
| IP level | IP67 (IEC standard 529 edition 2.0 (1989)) | | | | |

Notes: 1. All specifications measured at 5~35°C, humidity at 45~85%, under 86~106 kPa pressure, unless otherwise noted.

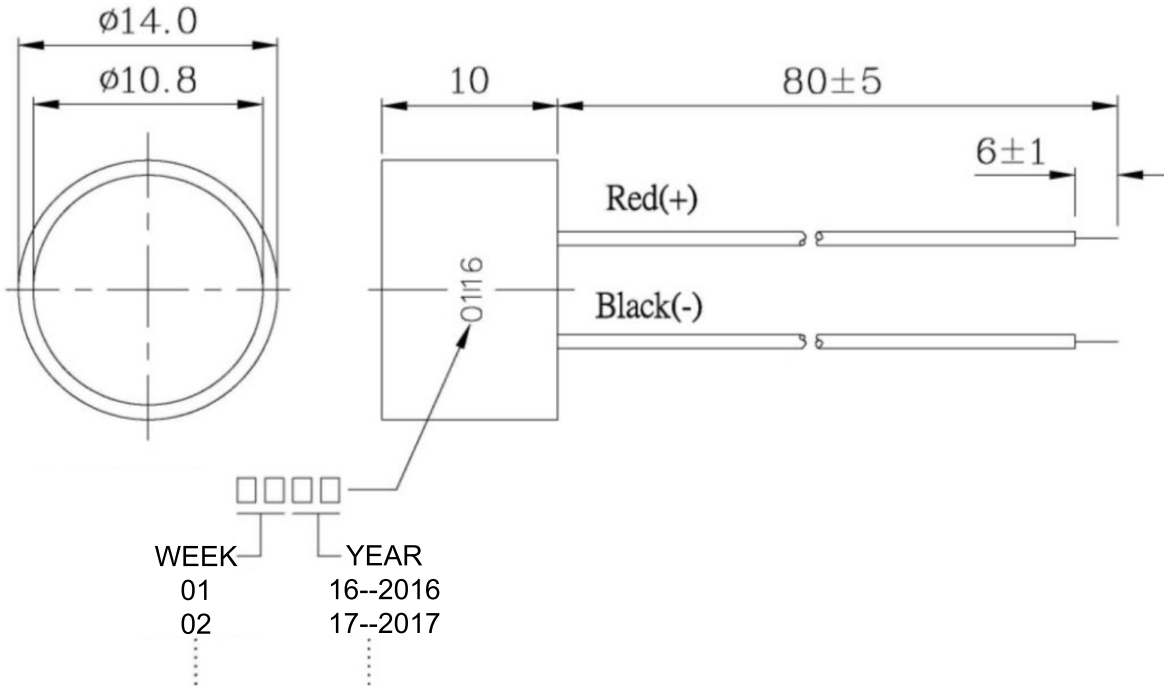
SOLDERABILITY

| parameter | conditions/description | min | typ | max | units |
|----------------|------------------------|-----|-----|-----|-------|
| hand soldering | for maximum 5 seconds | 330 | | 380 | °C |

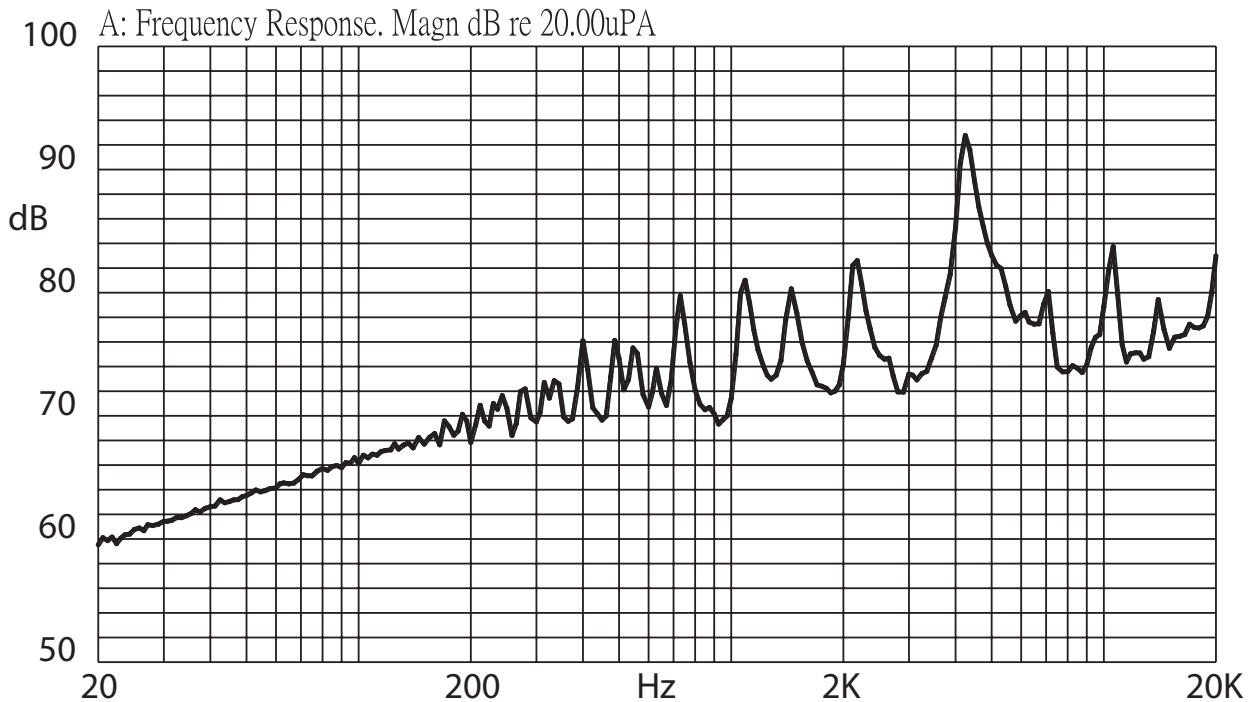
MECHANICAL DRAWING

units: mm
tolerance: ± 0.5 mm

wire: UL1007 LF 22 AWG



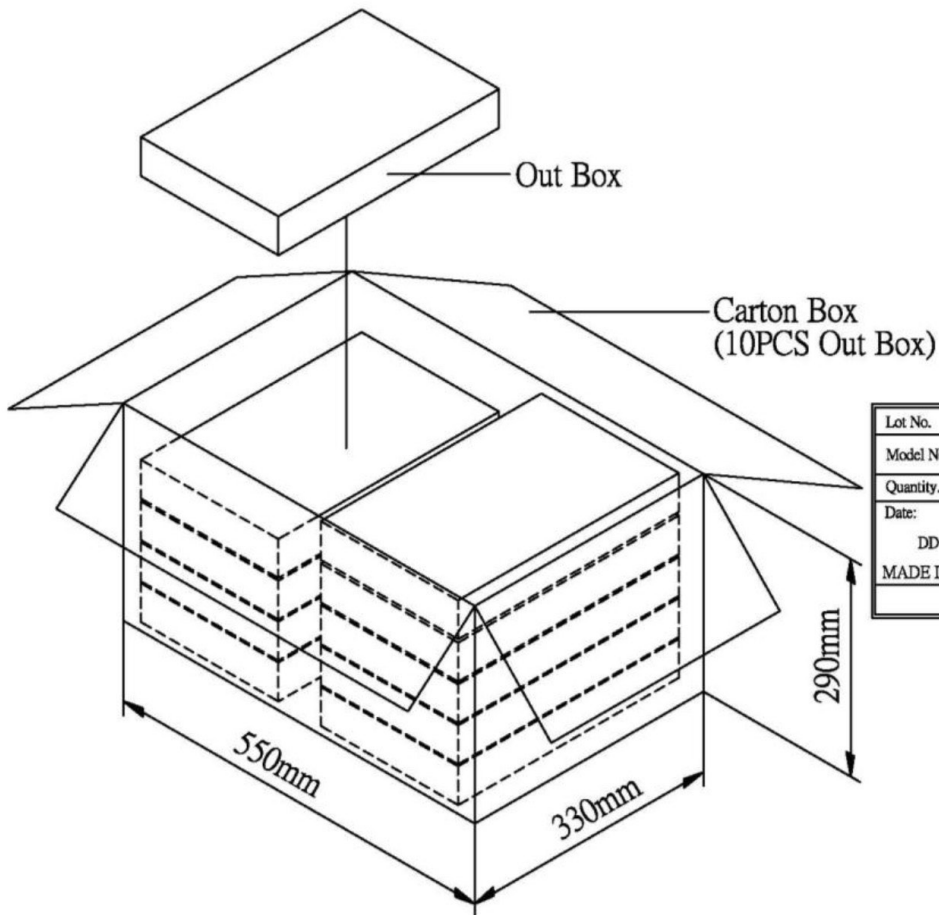
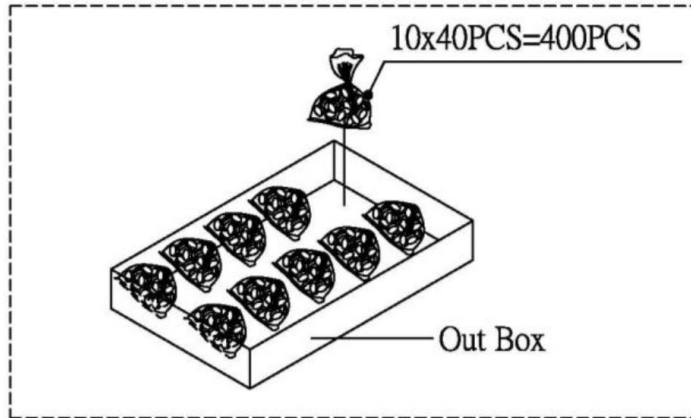
FREQUENCY RESPONSE CURVE



PACKAGING

units: mm

Outer Box Size: 310 x 248 x 49 mm
Carton Size: 550 x 330 x 290 mm
Outer Box QTY: 400 pcs per outer box
Carton QTY: 4,000 pcs per carton



| | |
|---------------|--------------------------|
| Lot No. | XXXXXXXXXX |
| Model No. | XXXXXXXXXX XXXXXXXXXX |
| Quantity. | XXXX Pcs |
| Date: | DD MM YY |
| MADE IN CHINA | |
| CUI Inc | |

RoHS Compliant

REVISION HISTORY

| rev. | description | date |
|------|-----------------|------------|
| 1.0 | initial release | 03/30/2016 |

The revision history provided is for informational purposes only and is believed to be accurate.



CUI INC[®]

Headquarters
20050 SW 112th Ave.
Tualatin, OR 97062
800.275.4899

Fax 503.612.2383
cui.com
techsupport@cui.com

CUI offers a one (1) year limited warranty. Complete warranty information is listed on our website.

CUI reserves the right to make changes to the product at any time without notice. Information provided by CUI is believed to be accurate and reliable. However, no responsibility is assumed by CUI for its use, nor for any infringements of patents or other rights of third parties which may result from its use.

CUI products are not authorized or warranted for use as critical components in equipment that requires an extremely high level of reliability. A critical component is any component of a life support device or system whose failure to perform can be reasonably expected to cause the failure of the life support device or system, or to affect its safety or effectiveness.