

**MODEL:** CPT-3011C-120 | **DESCRIPTION:** PIEZO BUZZER TRANSDUCER

**FEATURES**

- externally driven
- 104 dB SPL
- 12 Vdc rated voltage


**SPECIFICATIONS**

parameter	conditions/description	min	typ	max	units
rated voltage			12		Vdc
operating voltage		6		16	Vdc
current consumption	at rated voltage			35	mA
rated frequency		2,500	3,000	3,500	Hz
sound pressure level	at 30 cm, rated voltage	104	108		dB
	at 300 cm, rated voltage	85	92		dB
dimensions	Ø30.6 x 11.85				mm
weight				1.8	g
material	ABS PA-777D				
terminal	pin type				
operating temperature		-30		85	°C
storage temperature		-40		95	°C
RoHS	2011/65/EU				

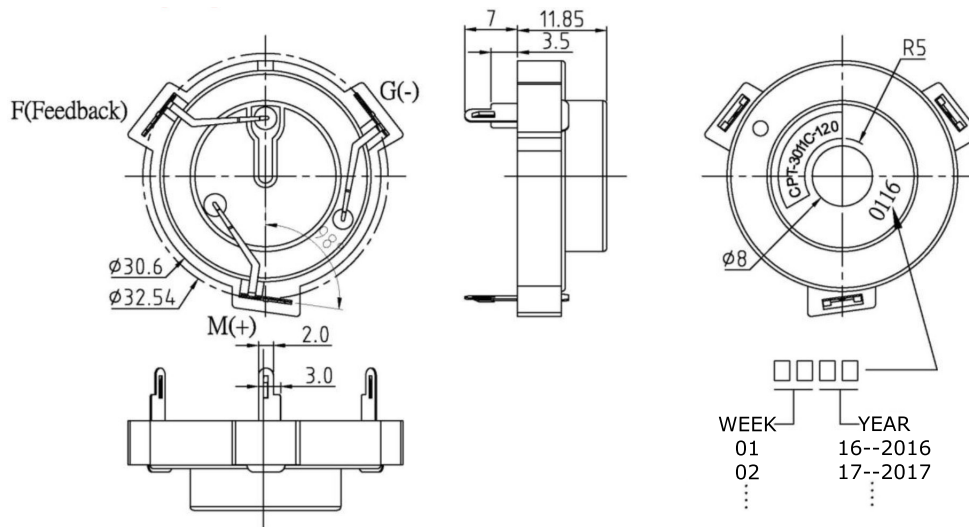
Notes: 1. All specifications measured at 5~35°C, humidity at 45~85%, under 86~106 kPa pressure, unless otherwise noted.

**SOLDERABILITY**

parameter	conditions/description	min	typ	max	units
hand soldering	for maximum 5 seconds	330		380	°C

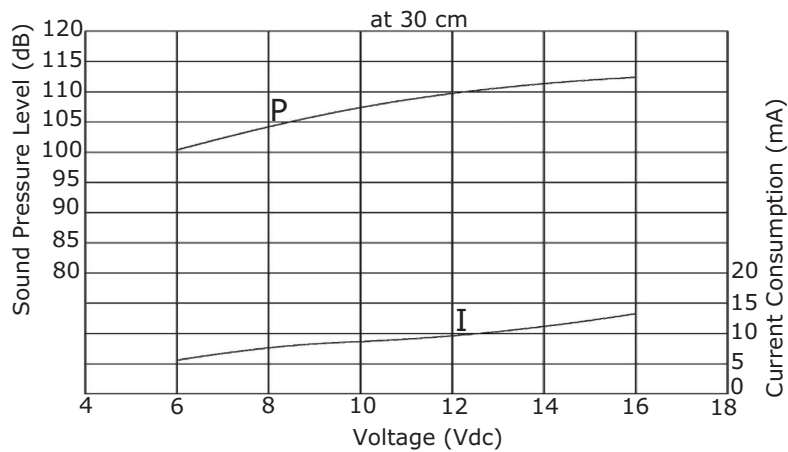
## MECHANICAL DRAWING

units: mm  
tolerance: ±0.5 mm

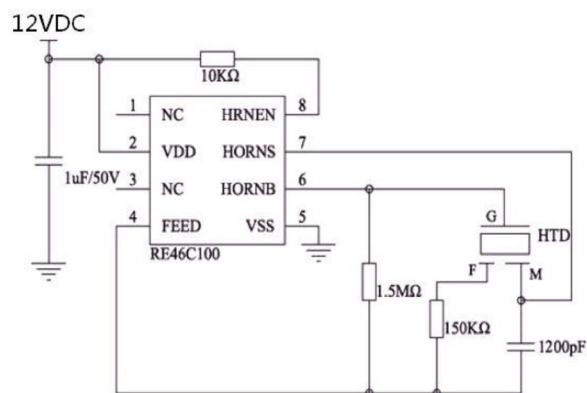


## PERFORMANCE CURVE

P: Voltage vs. Sound Pressure Level  
I: Voltage vs. Current Consumption



## DRIVING CIRCUIT

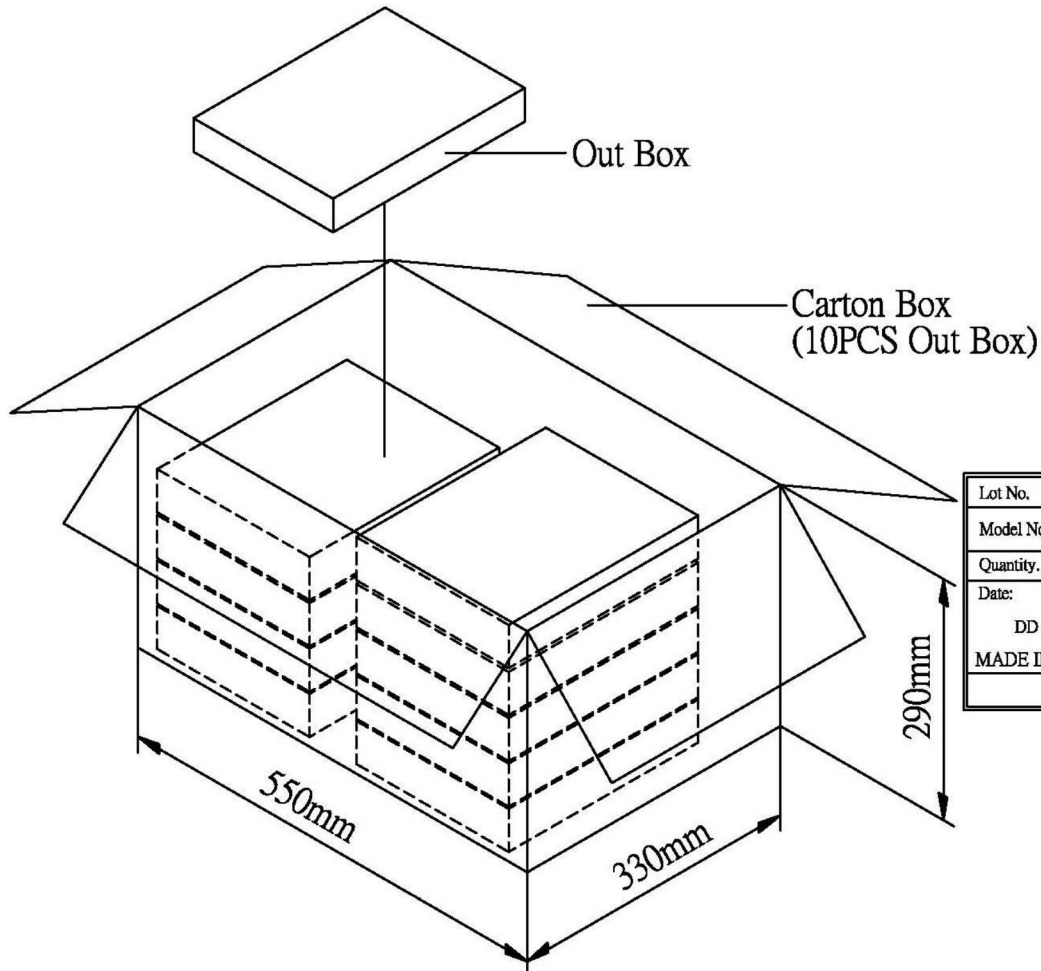
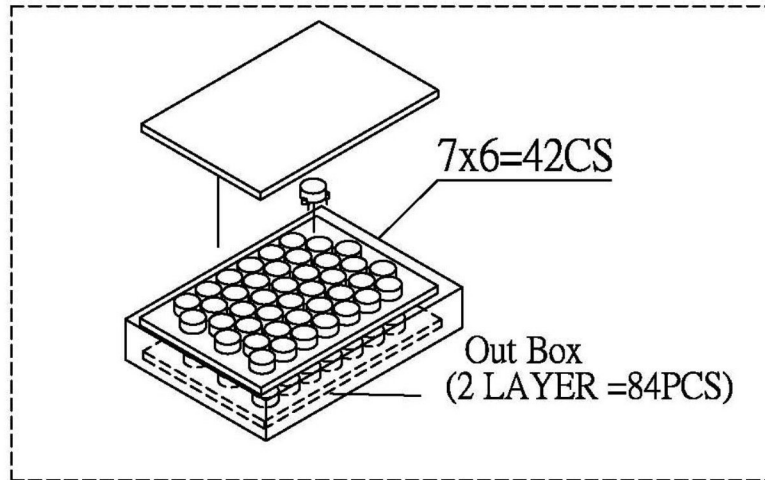


Notes: 1. The current consumption and the sound pressure level are measured by using the recommended driving circuit shown above.

## PACKAGING

units: mm

Outer Box Size: 310 x 248 x 49 mm  
 Carton Size: 550 x 330 x 290 mm  
 Outer Box QTY: 84 pcs per outer box  
 Carton QTY: 840 pcs per carton



Lot No.	XXXXXXXXXX
Model No.	XXXXXXXXXX XXXXXXXXXX
Quantity.	XXXX Pcs
Date:	DD MM YY
RoHS Compliant	
MADE IN CHINA	
CUI Inc	

## REVISION HISTORY

---

rev.	description	date
1.0	initial release	03/30/2016

The revision history provided is for informational purposes only and is believed to be accurate.



**CUI INC**<sup>®</sup>

**Headquarters**  
20050 SW 112th Ave.  
Tualatin, OR 97062  
**800.275.4899**

Fax 503.612.2383  
**cui.com**  
techsupport@cui.com

CUI offers a one (1) year limited warranty. Complete warranty information is listed on our website.

CUI reserves the right to make changes to the product at any time without notice. Information provided by CUI is believed to be accurate and reliable. However, no responsibility is assumed by CUI for its use, nor for any infringements of patents or other rights of third parties which may result from its use.

CUI products are not authorized or warranted for use as critical components in equipment that requires an extremely high level of reliability. A critical component is any component of a life support device or system whose failure to perform can be reasonably expected to cause the failure of the life support device or system, or to affect its safety or effectiveness.