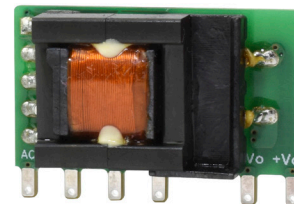


SERIES: PBO-5C | **DESCRIPTION:** INTERNAL AC-DC POWER SUPPLY

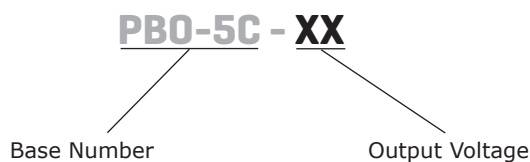
FEATURES

- wide input range (85 ~ 305 Vac)
- wide operating temperature range (-40 to +85 C)
- IEC/EN/UL 62368 certified
- designed to meet 61558 & 60335 safety standards
- 1,000,000 hour MTBF
- flexible implementations to power a wide array of applications



MODEL	output voltage (Vdc)	output current		output power max (W)	ripple and noise ¹ typ (mVp-p)	efficiency ² typ (%)
		min (A)	max (A)			
PBO-5C-3	3.3	0.1	1.0	3.3	150	69.0
PBO-5C-5	5.0	0.1	1.0	5.0	150	76.0
PBO-5C-9	9.0	0.056	0.56	5.0	150	77.0
PBO-5C-12	12.0	0.042	0.42	5.0	150	79.0
PBO-5C-15	15.0	0.034	0.34	5.0	150	79.0
PBO-5C-24	24.0	0.021	0.21	5.0	150	81.0

Note: 1. At full load, nominal input, 20 MHz bandwidth oscilloscope, see Application Circuit 10% -100% load.
 2. At 230 Vac input.

PART NUMBER KEY


INPUT

parameter	conditions/description	min	typ	max	units
voltage	ac input	85		305	Vac
	dc input	70		430	Vdc
frequency		47		63	Hz
current	at 115 Vac			0.2	A
	at 230 Vac			0.1	A
inrush current	at 115 Vac		20		A
	at 230 Vac		40		A
no load power consumption	at 230 Vac			0.15	W

OUTPUT

parameter	conditions/description	min	typ	max	units
capacitive load	3.3 Vdc output models			2,200	μF
	5 Vdc output models			1,500	μF
	9 Vdc output models			680	μF
	12 Vdc output models			470	μF
	15 Vdc output models			330	μF
	24 Vdc output models			100	μF
initial set point accuracy	10% ~ 100% load		±5		%
line regulation	at rated load		±1.5		%
load regulation	10% ~ 100% load		±3		%
temperature coefficient			±0.15		%/°C

PROTECTIONS

parameter	conditions/description	min	typ	max	units
over current protection	auto recovery	110			%
short circuit protection	continuous, auto recovery, hiccup				

SAFETY & COMPLIANCE

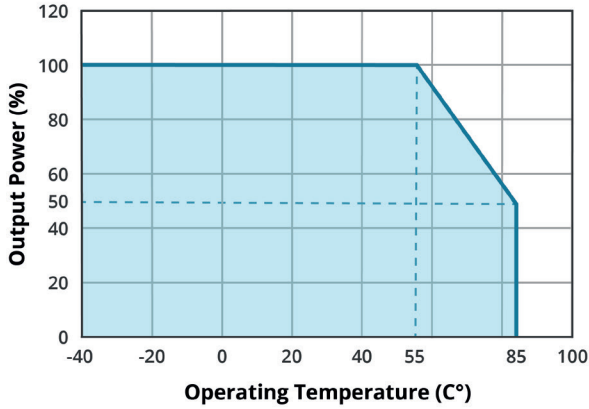
parameter	conditions/description	min	typ	max	units
isolation voltage	input to output for 1 minute, leakage current <5mA	3,600			Vac
safety approvals	certified to 62368: IEC, EN, UL/cUL				
	designed to meet 61558: IEC, EN				
	designed to meet 60335: IEC, EN				
safety class	class II				
EMI/EMC	CISPR32/EN55032 CLASS A (Recommended circuit 1, 4) CISPR32/EN55032 CLASS B (Recommended circuit 2, 3)				
ESD	IEC/EN 61000-4-2 Contact ±6KV perf. Criteria B				
radiated immunity	IEC/EN61000-4-3 10V/m perf. Criteria A				
EFT/burst	IEC/EN61000-4-4 ±2KV (Recommended circuit 1, 2) perf. Criteria B				
	IEC/EN61000-4-4 ±4KV (Recommended circuit 3, 4) perf. Criteria B				
surge	IEC/EN61000-4-5 line to line ±1KV (Recommended circuit 1, 2) perf. Criteria B				
	IEC/EN61000-4-5 line to line±2KV (Recommended circuit 3, 4) perf. Criteria B				
conducted immunity	IEC/EN61000-4-6 10Vr.m.s perf. Criteria A				
voltage dips and interruptions	IEC/EN61000-4-11 0%, 70% perf. Criteria B				
MTBF	as per MIL-HDBK-217F at 25 °C	1,000,000			hours
RoHS	yes				

ENVIROMENTAL

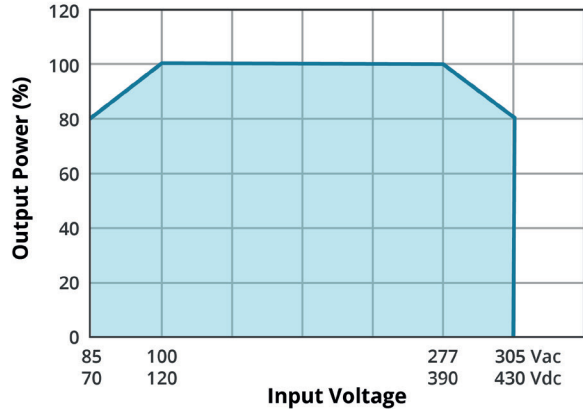
parameter	conditions/description	min	typ	max	units
operating temperature		-40		85	°C
storage temperature		-40		105	°C
storage humidity				95	%

DERATING CURVES

TEMPERATURE DERATING CURVE

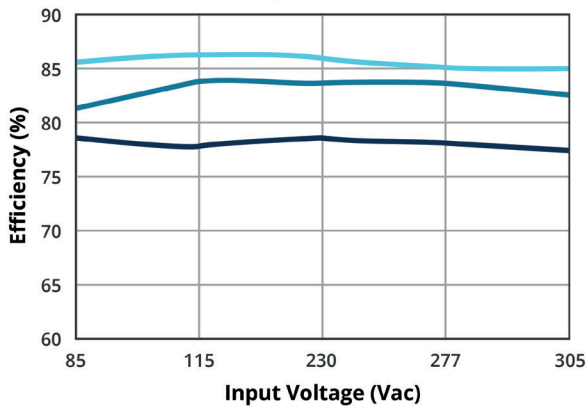


INPUT VOLTAGE DERATING CURVE (25°C)

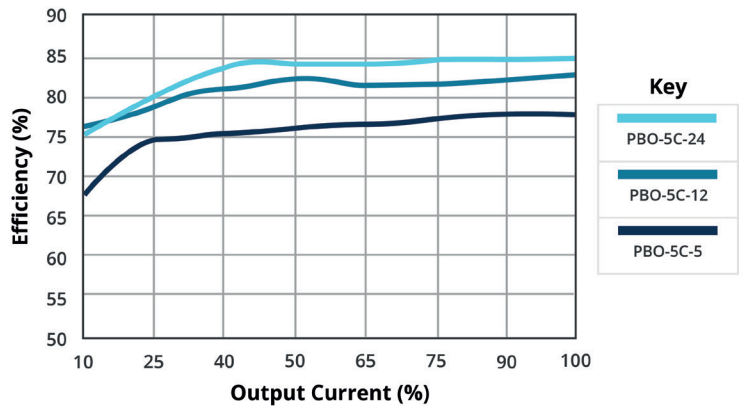


EFFICIENCY CURVES

EFFICIENCY VS INPUT VOLTAGE (full load)



EFFICIENCY VS OUTPUT LOAD (Vin = 230 VAC)



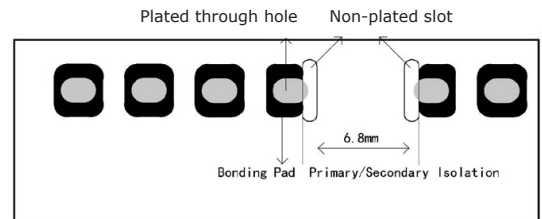
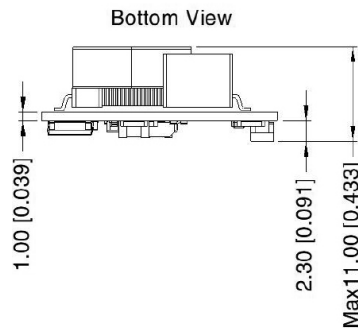
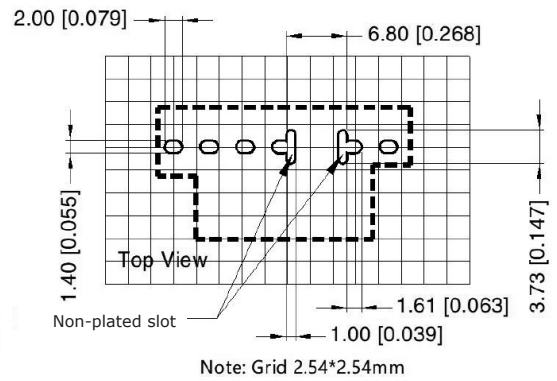
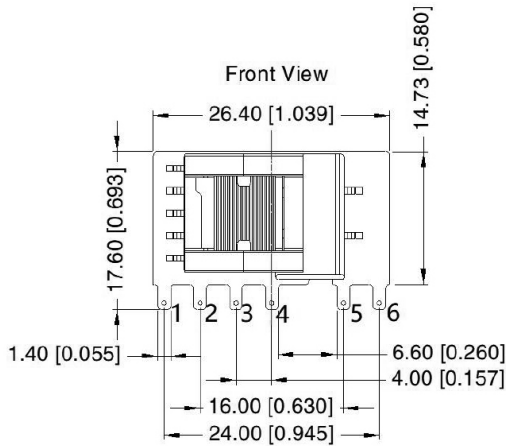
MECHANICAL

parameter	conditions/description	min	typ	max	units
dimensions	26.40 x 14.73 x 11.00 (1.039 x 0.579 x 0.433 inches)				mm
weight			5.2		g
cooling	free air convection				

MECHANICAL DRAWING

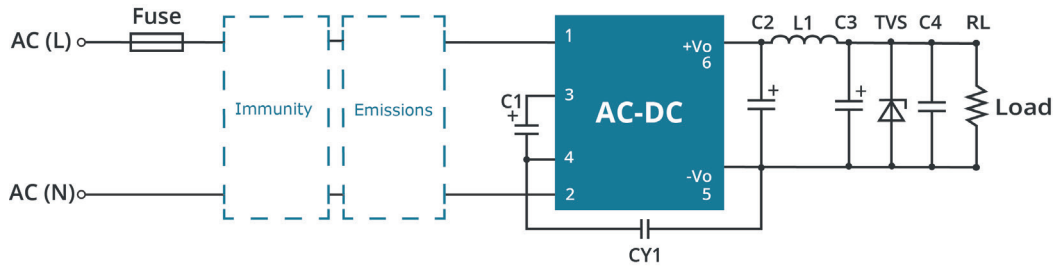
units: mm [inch]
 general tolerance: ± 1.00 [± 0.039]

PIN CONNECTIONS	
PIN	Function
1	AC (L)
2	AC (N)
3	+V (cap)
4	-V (cap)
5	-Vo
6	+Vo



Note: There are two, non-metallic/non-plated, slots located between pins 4 and 5 that are required to maintain proper creepage distance and isolation between primary and secondary circuits.

APPLICATION DESIGN REFERENCE



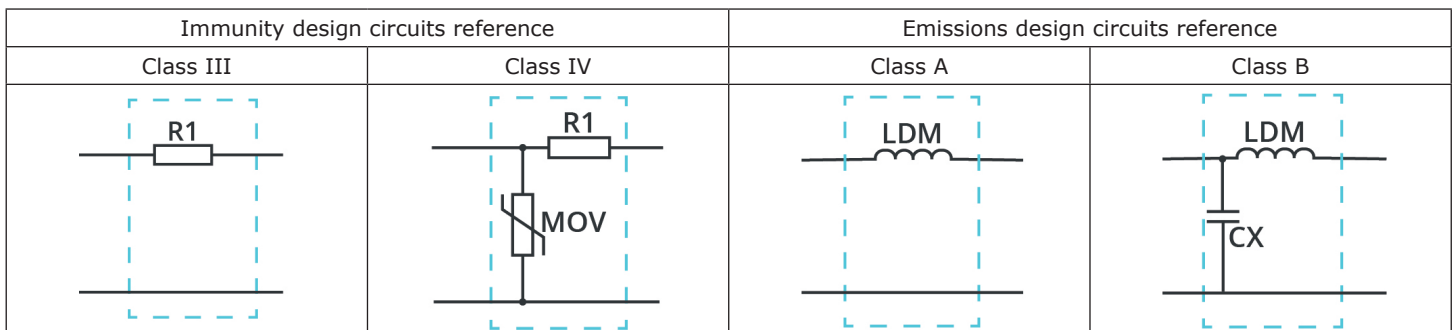
PBO-5C Series additional component selection guide (no EMC devices)

Part no.	C1 ¹ (required)	C2 (required)	L1 (required)	C3 ² (required)	C4	CY1 (required)	TVS ³
PBO-5C-3	22µF/450V (-40°C to 85°C with 85-305 Vac input)	820µF/6.3V (solid-state capacitor)	4.7µH max 60mΩ/ 2.2A	100µF/ 35V	0.1µF/ 50V (ceramic capacitor)	1.0nF/ 400Vac	SMBJ7.0A
PBO-5C-5		470µF/16V (solid-state capacitor)					SMBJ7.0A
PBO-5C-9	10µF/450V (-25°C to 85°C with 85-305 Vac input, or -40°C to 85°C with 165-305 Vac input)	270µF/16V (solid-state capacitor)		47µF/ 35V			SMBJ12A
PBO-5C-12		220µF/35V					SMBJ20A
PBO-5C-15							SMBJ20A
PBO-5C-24		SMBJ30A					

- Note:
1. Recommended to use a capacitor with ripple current >200 mA at 100 kHz.
 2. Recommended to use a high frequency, low ESR, electrolytic capacitor (<= 1.1Ω at -40 C) with at least 20% margin on voltage rating.
 3. A suppressor diode (TVS) is recommended to protect the downstream application in case of converter failure and should be rated for a minimum of 1.2 times the converter's output voltage.

PBO-5C Series Enviromental and EMC selection guide

Recommended circuit	Application enviromental	Typical industry	Input voltage range	Enviroment temperature	Emissions	Immunity
1	Basic application	None	85~305Vac	-40°C to 85°C	Class A	Class III
2	Indoor civil enviroment	Smart home/Home appliances (2 Y-caps)		-25°C to 55°C	Class B	Class III
	Indoor general enviroment	Intelligent building/ Intelligent agriculture		-25°C to 55°C	Class B	Class IV
4	Outdoor general enviroment	ITS/Video monitoring/ Charging point/ Communication/Security and protection		-40°C to 85°C	Class A	Class IV



APPLICATION DESIGN REFERENCE (CONTINUED)

Circuit 1

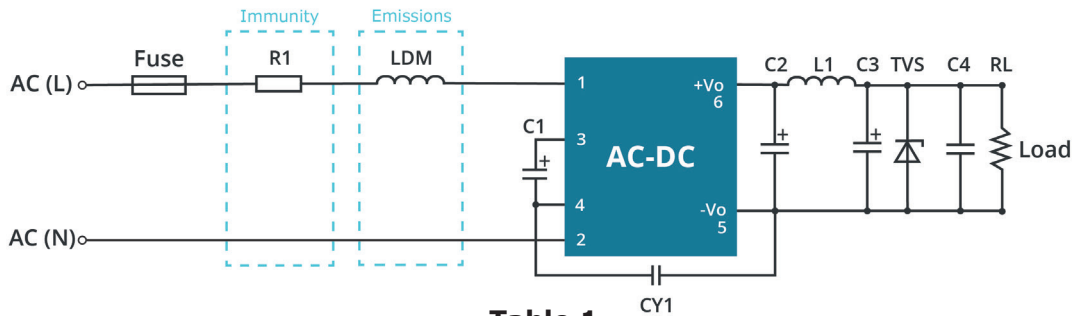


Table 1

Application enviromental	Ambient temperature range	Imunity Class	Emissions Class
Basic application	-40°C ~ 85°C	Class III	Class A

Component	Recommended value
FUSE (required)	1A/300V, slow blow
R1 (wire-wound resistor, required)	12Ω/3W
LDM	4.7mH/15Ω max/0.2A min

Note: R1 must be a wire-wound resistor; do not use a chip or carbon film resistor.

Circuit 2

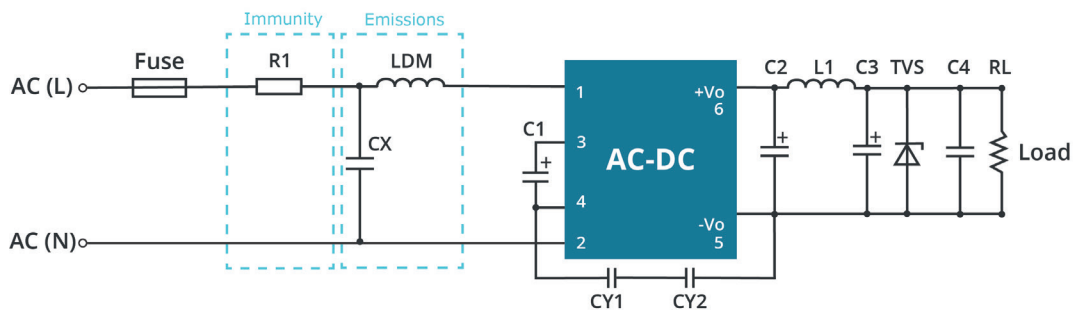


Table 2

Application enviromental	Ambient temperature range	Imunity Class	Emissions Class
Indoor civil / general	-25°C ~ 55°C	Class III	Class B

Component	Recommended value
R1 (wire-wound resistor, required)	12Ω/3W
LDM	1.2mH/ 4Ω/0.2A
CX	0.1μF/310Vac
FUSE (required)	1A/300V, slow-blow

Note: 1. For Smart Home and Home Appliance applications two Y-capacitors are required in series (2.2 nF/250 Vac each) to meet 60335 household safety requirements.
 2. Many safety standards require a bleeder resistor no greater than 3.8MΩ in parallel with the X-capacitor.
 3. R1 must be a wire-wound resistor; do not use a chip or carbon film resistor.

APPLICATION DESIGN REFERENCE (CONTINUED)

Circuit 3

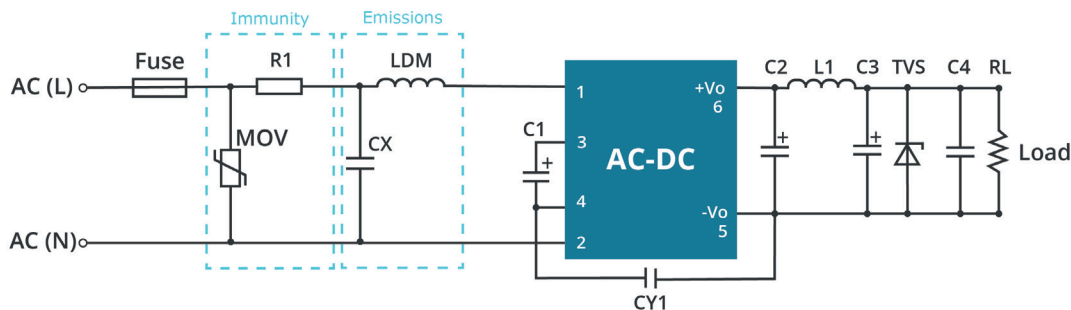


Table 3

Application enviromental	Ambient temperature range	Imunity Class	Emissions Class
Indoor industrial	-25°C ~ 55°C	Class IV	Class B

Component	Recommended value
MOV	S14K350
CX	0.1µF/310Vac
LDM	1.2mH/ 4Ω/0.2A
R1 (wire-wound resistor, required)	12Ω/3W
FUSE (required)	2A/300V, slow-blow

Note: 1. Many safety standards require a bleeder resistor no greater than 3.8MΩ in parallel with the X-capacitor.
 2. R1 must be a wire-wound resistor; do not use a chip or carbon film resistor.

Circuit 4

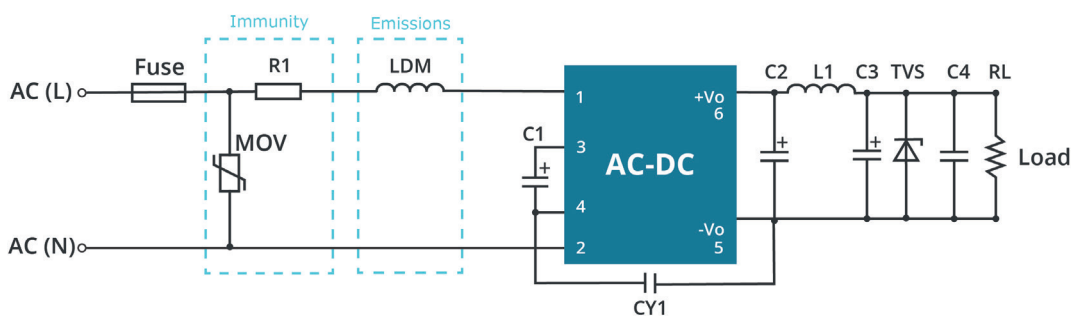


Table 4

Application enviromental	Ambient temperature range	Imunity Class	Emissions Class
Outdoor general enviroment	-40°C ~ 85°C	Class IV	Class A

Component	Recommended value
MOV	S14K350
LDM	4.7mH/ 15Ω/0.2A
R1 (wire-wound resistor, required)	12Ω/2W
FUSE (required)	2A/300V, slow-blow

Note: R1 must be a wire-wound resistor; do not use a chip or carbon film resistor.

REVISION HISTORY

rev.	description	date
1.0	initial release	11/18/2020
1.01	derating and efficiency curves updated	01/20/2022
1.02	UKCA mark added	05/26/2022
1.03	isolation voltage updated	02/23/2023

The revision history provided is for informational purposes only and is believed to be accurate.



Headquarters
20050 SW 112th Ave.
Tualatin, OR 97062
800.275.4899

Fax 503.612.2383
cuicom
techsupport@cuicom

CUI offers a two (2) year limited warranty. Complete warranty information is listed on our website.

CUI reserves the right to make changes to the product at any time without notice. Information provided by CUI is believed to be accurate and reliable. However, no responsibility is assumed by CUI for its use, nor for any infringements of patents or other rights of third parties which may result from its use.

CUI products are not authorized or warranted for use as critical components in equipment that requires an extremely high level of reliability. A critical component is any component of a life support device or system whose failure to perform can be reasonably expected to cause the failure of the life support device or system, or to affect its safety or effectiveness.