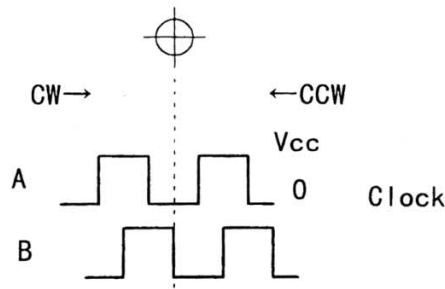
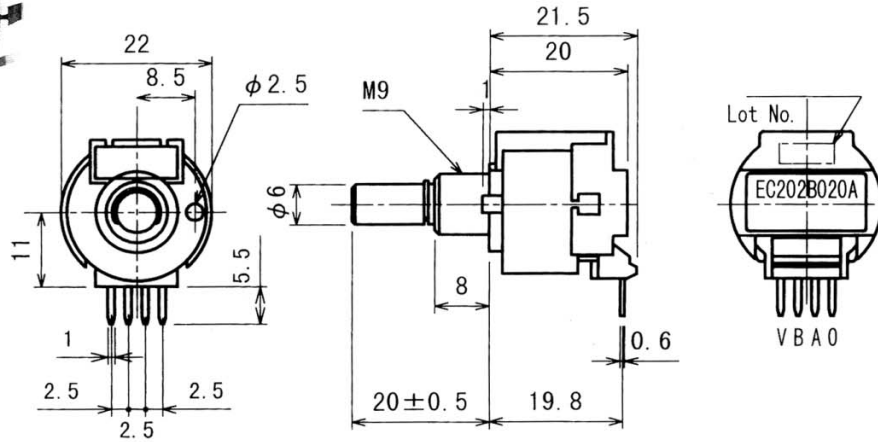




9615 SW Allen, Suite 103
Beaverton, OR 97005
Phone: (503) 643-4899
800-275-4899
Fax: (503) 372-1266
Website: www.cui.com



Output wave



Detent position

● Specifications

Supply Voltage	DC5V ± 5%	Resolution	20P/R
Supply Current	30mA Max.	Frequency Response	100Hz
Output	Incremental	Rotational Life	2,000,000
Phase Difference	90 ± 45°	Operational Torque	40 ± 20gcm
Output Wave	Rectangle Wave	Click	With Click
Operating Temperature Range	0 ~ +60°C	Weight (Approx.)	28g
Storage Temperature Range	-20 ~ +80°C		

PART NO. EC202B020A UNITS: mm

TOLERANCE: ±0.5 PAGE NO: 1 of 1